

Technical data sheet

Type Y333P Y pattern strainer

Applications and special features



- Protection of pumps, valves, pressure reducing valves, backflow preventers, against any impurity in the piping system (dirt, rust, seal fragments, foreign bodies).
- Furthermore, these pattern strainers are available with a drain cock allowing a quick and efficient cleaning.
- Filtration DN :
 - 500 microns for DN 40/50
 - 800 microns for DN 65
 - 1250 microns for DN 80/100/125/150/200
 - 1600 microns for DN 250/300/350/400
- Internal/external epoxy coating.

Technical description

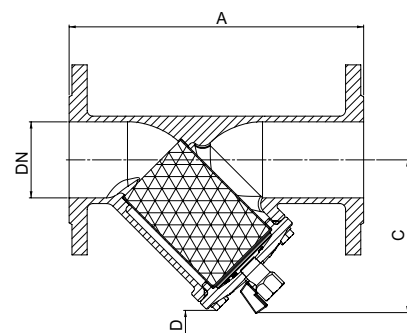
| DN " | mm | PN | PFA (bar) | PS (bar) | | | | Cat. | References | Vvs-nr |
|---------|-----|-------|--------------|----------|----|----|----|------|------------|--------|
| | | | | L1 | L2 | G1 | G2 | | | |
| 1 1/2 | 40 | 10/16 | 16 | 16 | 16 | X | X | 3.3 | 149B 3280 | |
| 2 | 50 | 10/16 | 16 | 16 | 16 | X | X | 3.3 | 149B 3281 | |
| 2 1/2 | 65 | 10/16 | 16 | 16 | 16 | X | X | 3.3 | 149B 3282 | |
| 3 | 80 | 10/16 | 16 | 16 | 16 | X | X | 3.3 | 149B 3283 | |
| 4 | 100 | 10/16 | 16 | 16 | 16 | X | X | 3.3 | 149B 3284 | |
| 5 | 125 | 10/16 | 16 | 16 | 16 | X | X | 3.3 | 149B 3285 | |
| 6 | 150 | 10/16 | 16 | 13 | 16 | X | X | 3.3 | 149B 3286 | |
| 8 | 200 | 10 | 10 | 10 | 10 | X | X | 3.3 | 149B 3287 | |
| 10 | 250 | 10 | 10 | 10 | 10 | X | X | 1 | 149B 3288 | |
| 12 | 300 | 10 | 10 | 10 | 10 | X | X | 1 | 149B 3289 | |
| 14 | 350 | 10 | 10 | 10 | 10 | X | X | 1 | 149B 3788 | |
| 16 | 400 | 10 | 10 | 10 | 10 | X | X | 1 | 149B 3791 | |

Important notice :
The indicated pressure for the different categories of fluids (L1/L2/G1/G2) is under no condition a guarantee of use. Therefore, it is essential to validate the use of products under given operating conditions.

- **Connection :** with PN 10 flanges
- **Permissible operating pressure PFA - water-** (for supply, distribution and disposal of water) : See table
- **Maximum Permissible pressure PS - other mediums :** See table
- **θ** : Mini. -10 °C
Maxi. 100 °C
- **Mediums :** Clear liquids
- **Approvals :** **WRAS** (except DN 350 & 400)
- **International construction Standards :** CE Conformity Directive 97/23/CE
Flange drilling according to EN 1092-2
Overall dimensions according to EN 558-1 series 1

Overall dimensions

| DN | | A | C | D | Mesh | Weight |
|-------|-----|------|-----|-----|------|--------|
| " | mm | mm | mm | mm | mm | kg |
| 1 1/2 | 40 | 200 | 130 | 35 | 0,50 | 6,5 |
| 2 | 50 | 230 | 145 | 50 | 0,50 | 8,5 |
| 2 1/2 | 65 | 290 | 137 | 65 | 0,80 | 9,8 |
| 3 | 80 | 310 | 159 | 75 | 1,25 | 13,5 |
| 4 | 100 | 350 | 187 | 90 | 1,25 | 18 |
| 5 | 125 | 400 | 249 | 125 | 1,25 | 27,5 |
| 6 | 150 | 480 | 301 | 170 | 1,25 | 43 |
| 8 | 200 | 600 | 403 | 220 | 1,25 | 83 |
| 10 | 250 | 730 | 472 | 200 | 1,60 | 112 |
| 12 | 300 | 850 | 508 | 250 | 1,60 | 160 |
| 14 | 350 | 980 | 587 | 315 | 1,6 | 297 |
| 16 | 400 | 1100 | 658 | 370 | 1,6 | 406 |

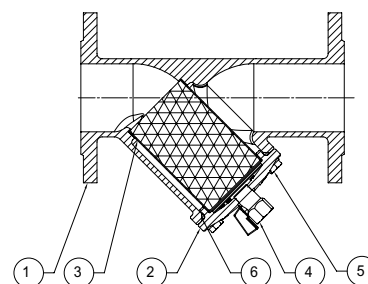


* D : Required height to remove the strainer

Technical data sheet **Type Y333P - Y pattern strainer**

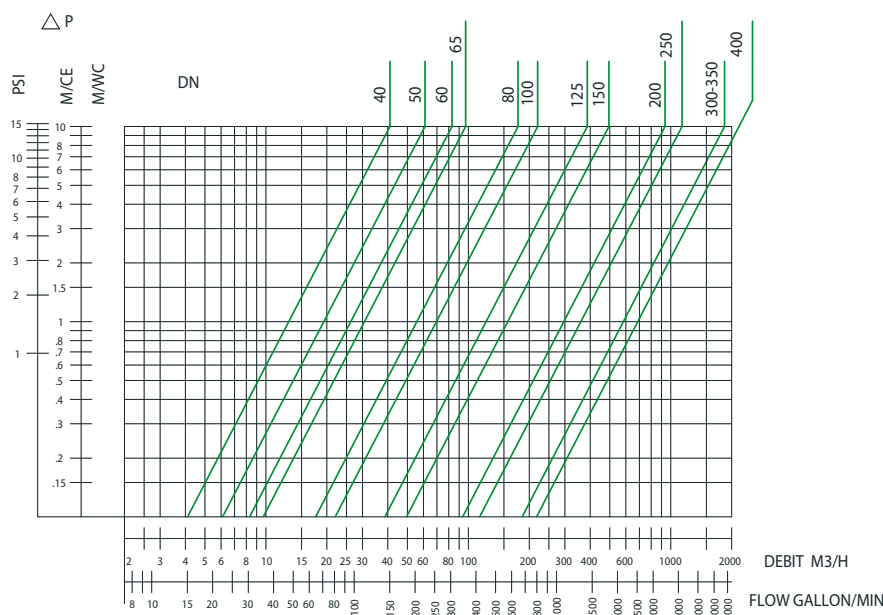
Spare parts list and materials

| Nb | Description | Materials | EURO | ANSI |
|----|---|---|-----------------------------|----------------|
| 1 | CASING DN 40-50 DN 65-400 | Cast iron + epoxy Ductile iron + epoxy | EN-GJL-250 EN-GJS-400-15 | ASTM A 48 35 B |
| 2 | CAP DN 40-50 DN 65-400 | Cast iron + epoxy Ductile iron + epoxy | EN-GJL-250 EN-GJS-400-15 | ASTM A 48 35 B |
| 3 | STRAINER | Stainless steel | X5CrNi18-10 | AISI 304 |
| 4 | DRAIN COCK M/F 1/2" DN 40-300 3/4" DN 350-400 | Brass | | |
| 5 | STUD BOLT/ SCREW | Stainless steel | X5CrNi18-10 | AISI 304 |
| 6 | SEAL | EPDM | | |



Working principle

| # | DN | | Kv | ζ |
|------------------|----|-----|---------|------|
| | | mm | | |
| 1 ^{1/2} | | 40 | 42,70 | 2,20 |
| 2 | | 50 | 66,70 | 2,20 |
| 2 ^{1/2} | | 65 | 89,00 | 3,50 |
| 3 | | 80 | 127,00 | 4,00 |
| 4 | | 100 | 200,00 | 3,90 |
| 5 | | 125 | 364,00 | 2,60 |
| 6 | | 150 | 494,00 | 3,30 |
| 8 | | 200 | 937,00 | 2,90 |
| 10 | | 250 | 1137,00 | 4,80 |
| 12 | | 300 | 1844,00 | 3,80 |
| 14 | | 350 | 1844,00 | 7,10 |
| 16 | | 400 | 2172,00 | 8,80 |



* Head loss value for non clogged strainer
 * Max velocity (for clean water) : 5m/s

Socla can accept no responsibility for possible errors in catalogue, brochures and other printed material. Socla reserve the right to alter its products without notice. This also applies to products already agreed. All trademarks in this material are the property of the respective companies. All right reserved.

Socla SAS

365 rue du lieutenant Putier
 71530 VIREY LE GRAND
 Postal address : CS 10273
 71107 CHALON SUR SAONE Cedex

Tel : 33 3 85 97 42 52
 Fax : 33 3 85 97 97 42
<http://www.socla.com>
 e-mail: commer@socla.com