

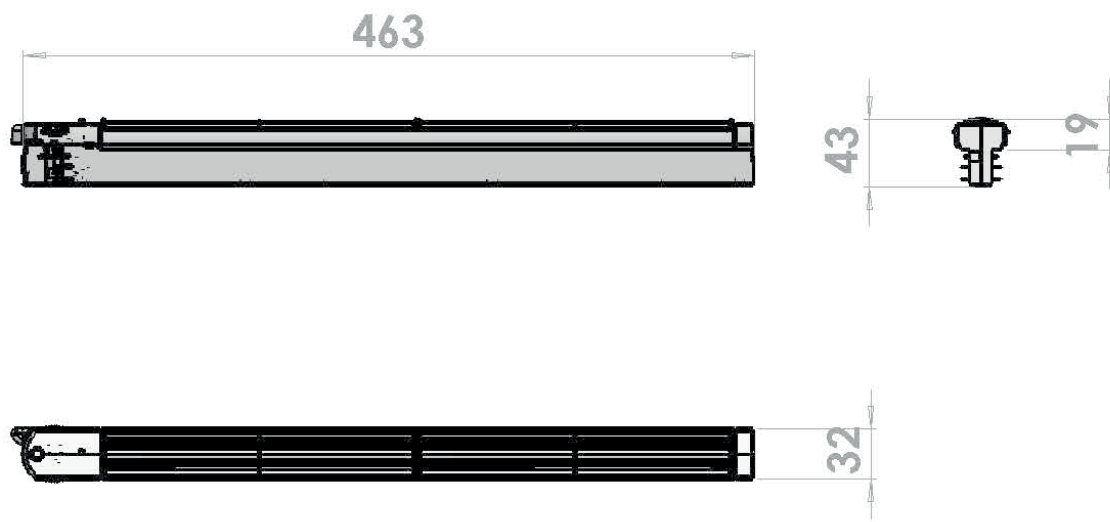
# RespectSingle



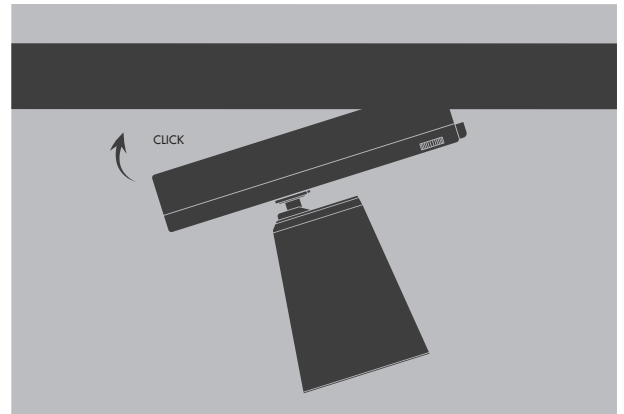
## RespectSingle

Respect Single is a linear track light ideal for illuminating shelves in retail environments. Respect Single is available with alternative optics: direct, asymmetric and opal.

Color Rendering: CRI > 80  
Diffuser: Direct lens or opal diffuser  
Color options: Black, White  
Color temperature CCT: 3000K, 4000K  
Cooling: Passive  
Material: Powder painted die-cast aluminium  
Wattage: 12 W (module)  
Lifetime: 50.000 hours  
Adapter: GA-69  
Color consistency: -  
Guarantee: 5 years (LED Chip & driver)  
Installation: Nordic Aluminium 3-phase track  
LED chip: -  
Protection: IP20  
Dimmable: No

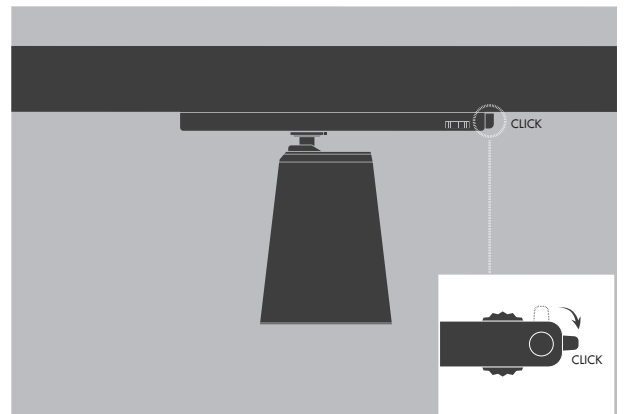


1) Insert adapter into track



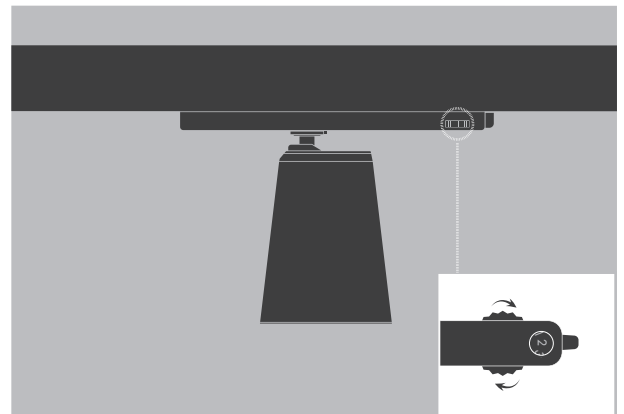
2) Turn the lock as far as it goes

Note: If lock will not move all the way this means you have inserted the spot the wrong direction. Rotate the spot 180 degrees horizontally and try again.



3) Choose phase by turning the small wheel on the side

Note: Distribute spots evenly across the 3 phases to minimize risk of overloading the system.



4) Evaluate - Is the spot adjusted correctly?

Adjustment: The light beam must be carefully directed to illuminate the products with maximum effect.

Check by blocking the light beam with a hand, and then moving the hand again to see the effect of the light and then adjust direction if necessary.

