

SimFlex 25-60

SimFlex 15-60
SimFlex 25-60
SimFlex 32-60

| lx230 V, 50Hz, IEC38 | PI [W] | I [A] |
|----------------------|-------------|-------------|
| Auto min. | 4,00 | 0,05 |
| Auto max. | 47,1 | 0,483 |
| Speed I - 4 | 6,66 - 45,2 | 0,8 - 0,483 |

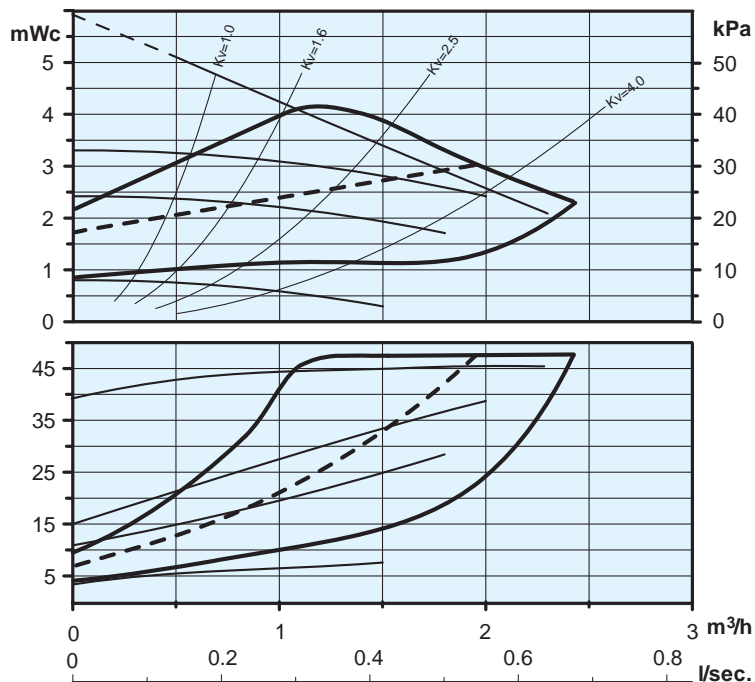
Temperature Range (TF 95 - CEN 335-2-51)

| | | |
|------------------------|----|---|
| Water temp max. [°C] | 95 | - |
| Water temp min. [°C] | 2 | - |
| Ambient temp max. [°C] | 40 | - |

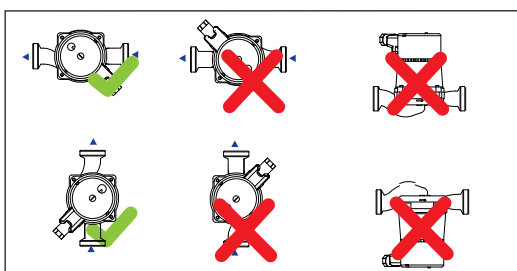
| | | |
|------------|------------|------------|
| NPSH [bar] | 80°C - 0,5 | 95°C - 1,5 |
| Kg. (net) | 2,8 | |

| Model | H(mm) | G | RP |
|--------|---------|-----|-----|
| 15-60* | 130 | 1" | ½" |
| 25-60 | 130/180 | 1½" | 1" |
| 32-60 | 130/180 | 2" | 1¼" |

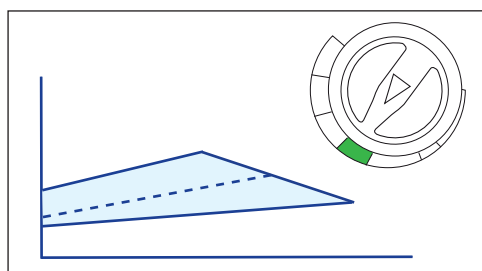
*Max flow slightly reduced



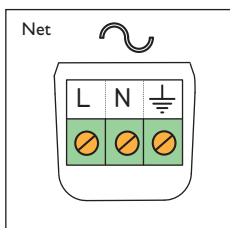
Installation



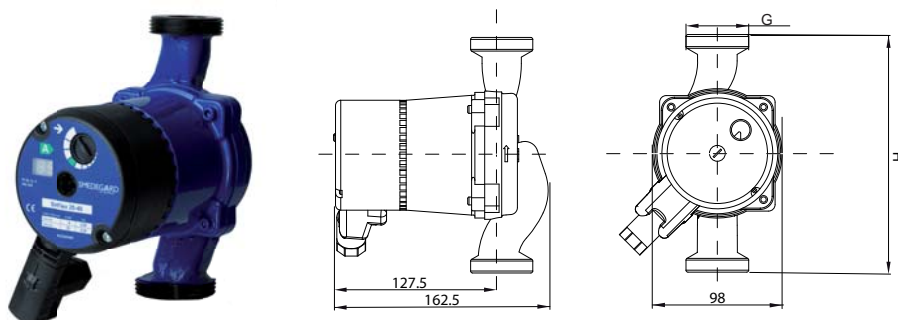
Settings



Electrical connection



Dimensions



Smedegaard reserve the right to change the product without prior notice and take no responsibility for inaccuracies or misprints.