

SR560M
SR560G

Flat Panel Floor Cart for 32" to 65" Displays

The SR560 Floor Cart offers the most complete mobile solution for any application. This versatile presentation cart allows you to hold meetings with AV support or simply to display information. A full line of accessories enable each cart to be fully tailored to meet your specific requirements.



FEATURES

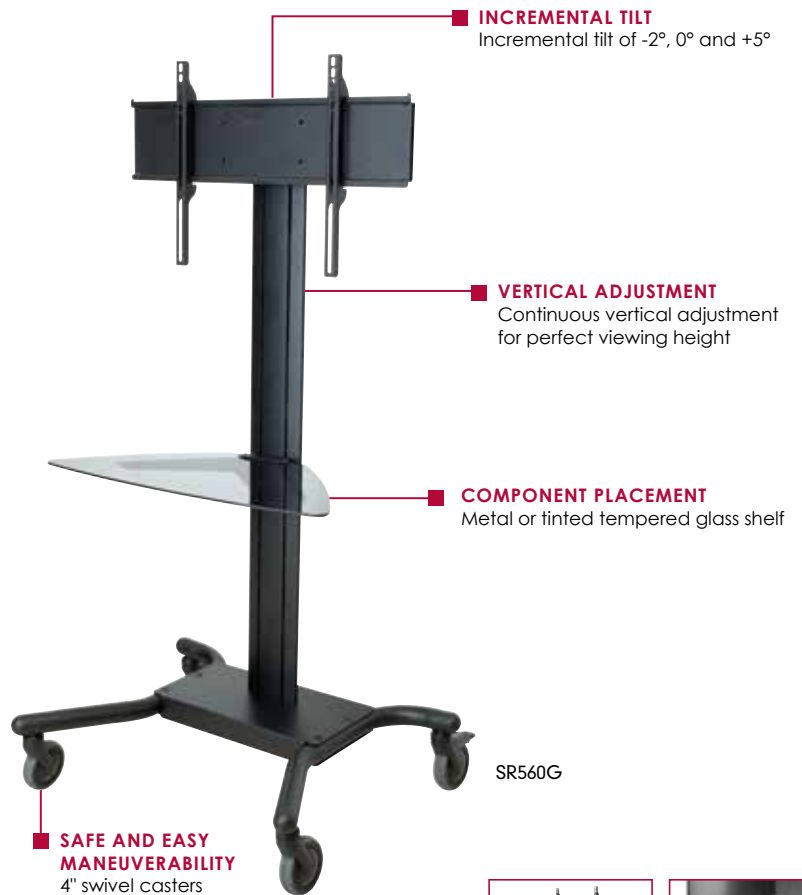
- Continuous vertical adjustment for perfect viewing height
- Incremental tilt of -2°, 0° and +5° locks in the ideal viewing angle
- Integrated cable management protects, contains and conceals cables for a clean, professional installation
- Maneuvers easily on 4" (102mm) swivel casters, two locking
- Customizable with over a dozen accessories



Display size: 32" to 65"



Max load
Display: 150lb (68.2kg)
Shelf: 50lb (22.6kg) ea.



SR560G



SR560M



Integrated cable management



SR560M	Flat Panel Floor Cart with metal shelf for 32" to 65" Displays
SR560G	Flat Panel Floor Cart with tinted glass shelf for 32" to 65" Displays

Product Specifications

	DIMENSIONS (W x H x D)	PRODUCT WEIGHT	LOAD CAPACITY	FINISH	AVAILABLE COLORS
SR560M/SR560G	40.00" x 64.15" x 27.45" (864 x 1629 x 697mm)	SR560M: 76.0lb (34.4kg) SR560G: 74.0lb (33.6kg)	Display: 150lb (68.2kg) Shelf: 50lb (22.6kg) ea Up to 2 shelves allowed	Powder coat	Black

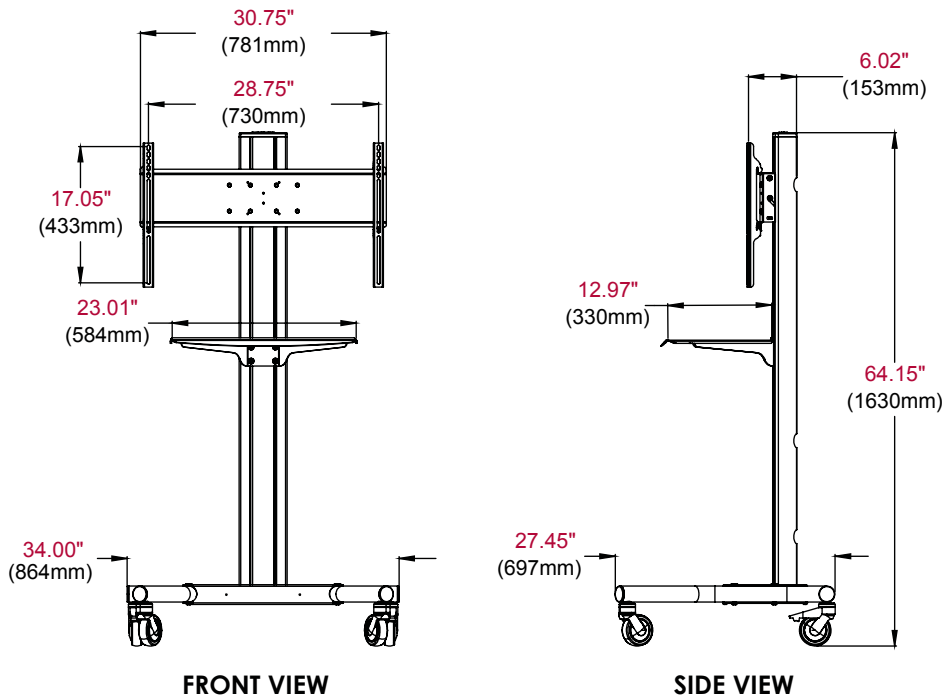
Package Specifications

	PACKAGE SIZE (W x H x D)	PACKAGE SHIP WEIGHT	PACKAGE UPC CODE	PACKAGE CONTENTS	UNITS IN PACKAGE
SR560M/SR560G	57.70" x 19.20" x 7.70" (1466 x 488 x 196mm)	SR560M: 87.3lb (39.5kg) SR560G: 88.8lb (40.2kg)	SR560M: 735029247715 SR560G: 735029247722	Cart, (1) metal or tinted glass shelf, universal adaptor plate, assembly and display attachment hardware	1

Accessories

ACC310: Feet Accessory	ACC316: Safety Belt	RM11 & ACC170: Universal Rotational Mount and Adaptor
ACC313: Metal Shelf	ACC318: Tempered Glass Shelf	DSX750: Media Player Storage
ACC314: Laptop Arm	ACC319: Video Conferencing Shelf	
ACC315: Base Shelf	ACC320: Electrical Outlet Strip with Cord Wrap	

All dimensions = inch (mm)



ARCHITECTS SPECIFICATIONS

The Floor Cart stand shall be a Peerless-AV model SR560M/G and shall be installed where indicated on the plans. It shall be constructed of heavy gauge cold rolled steel and finished with scratch resistant black or silver power coat. Assembly and installation shall be done according to instructions provided by the manufacturer.

Peerless Industries, Inc. ■ 2300 White Oak Circle ■ Aurora, IL 60502 ■ (800) 865-2112 ■ (630) 375-5100 ■ Fax: (800) 359-6500 ■ peerless-av.com

Visit peerless-av.com to see the complete line of AV solutions from Peerless-AV, including flat panel mounts, projector mounts, carts/stands, furniture, cables, screen cleaners and a full assortment of accessories.