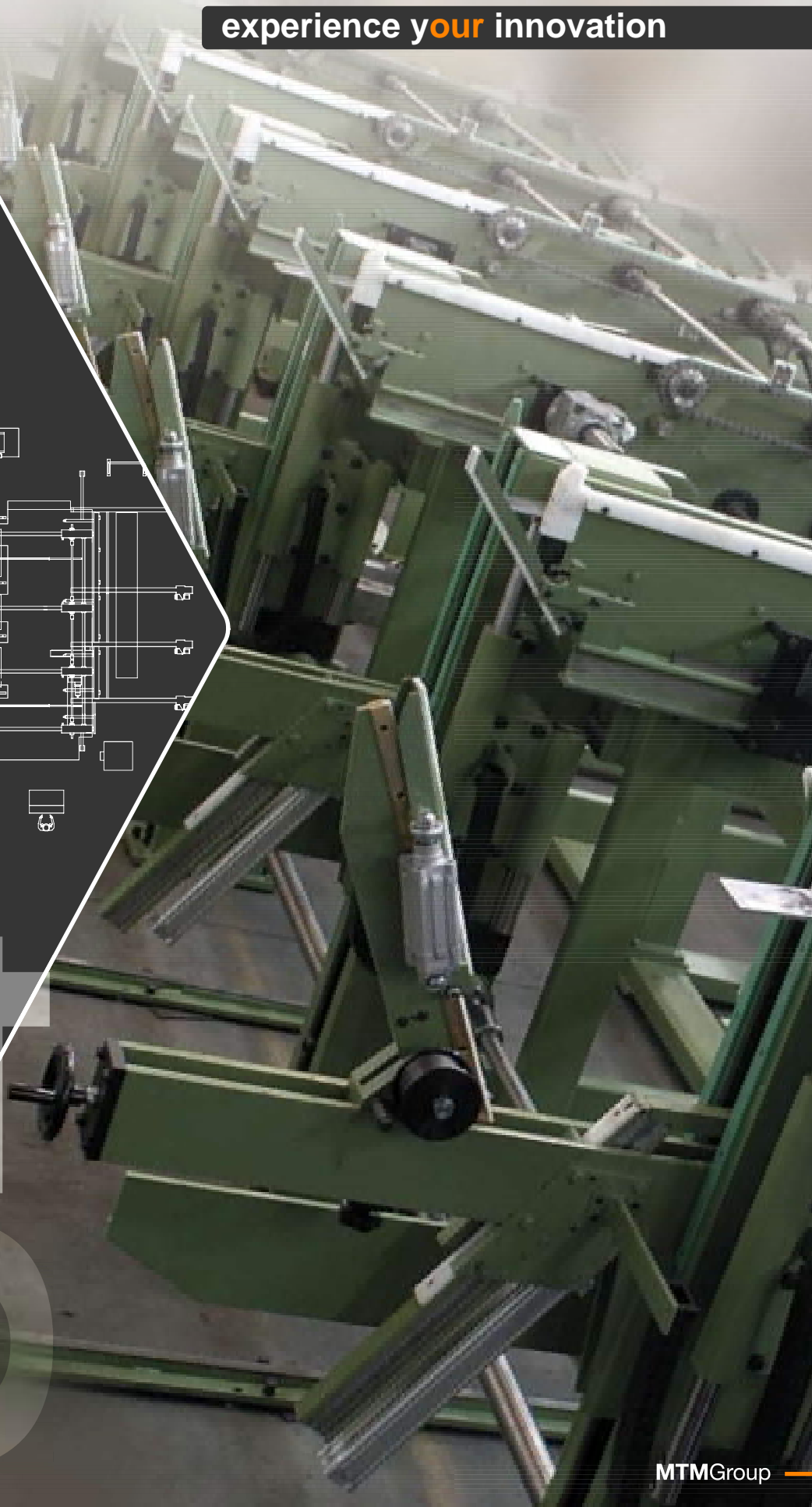
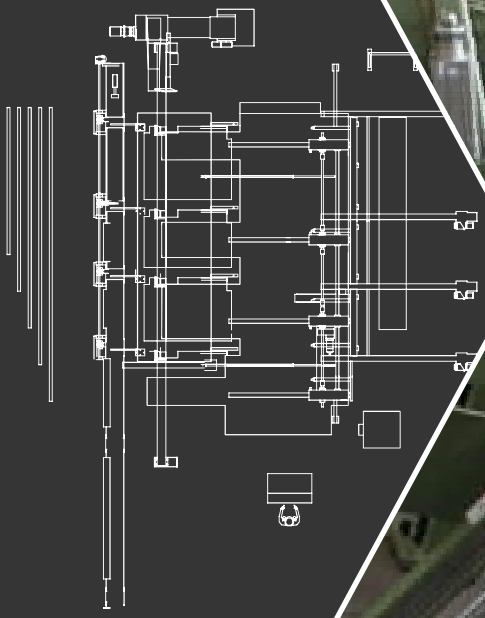




experience **your** innovation

PACKAGING SYSTEMS

MTM Stacking and Packaging Systems provide you with state of the art technology for the handling of ERW quality tubes. Our Stacking and Packaging Systems are well-known all around the world to be of high quality, with superior design and of very accurate manufacture.





PACKAGING SYSTEMS

When **productivity** and **safety** do matter

Features of MTM Packaging Systems

- ⇨ Stacking and packaging tubes in hexagonal, square and rectangular bundles
- ⇨ Stacking and packaging shapes

- ⇨ Fully automatic handling process
- ⇨ Fully automatic strapping system
- ⇨ Bundle draining station
- ⇨ Bundle weighting station
- ⇨ Labelling station
- ⇨ Data process and storage
- ⇨ Production data exchange facility
- ⇨ Handling up to 30 tubes per minute
- ⇨ Capability of handling up to 600x600 mm bundles



Our technical sales service can quickly provide you with special stacking and packaging systems quotations for any particular application

MTM Stacking and Packaging Systems characteristics

MODEL	Ø min***		Ø max***		WT min		WT max		Max speed		
	mm	in	mm	in	mm	in	mm	in	n/min	m/min	ft/min
MTM STKRAD	10	0.400	25	1.000	0.2	0.080	1.2	0.050	420	180	591
MTM PK3 F	13	0.500	76	3.000	0.7	0.030	5.0	0.200	30	180	591
MTM PK3 L	13	0.500	76	3.000	0.7	0.030	5.0	0.200	30	180	591
MTM PK5 L	21	0.827	127	5.000	1.0	0.040	6.0	0.240	25	150	492
MTM PK6 L	51	2.000	168	6.000	1.5	0.060	7.0	0.275	20	100	328

Specifications mentioned in this publication are subject to change without notice.