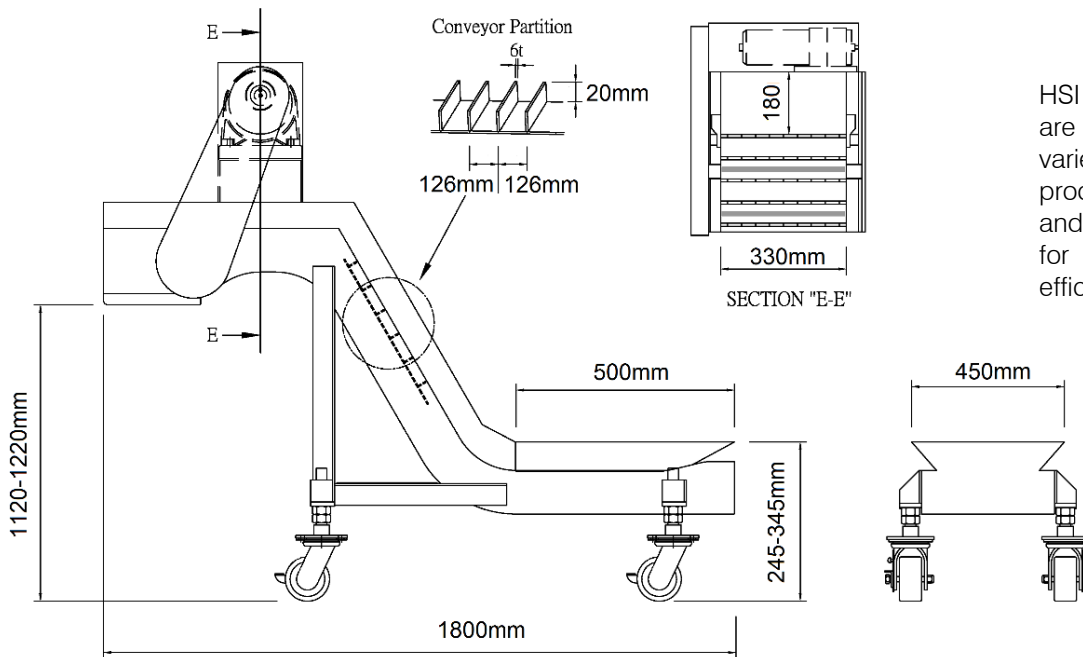


FTC
410A

Transporting Conveyor



HSI Transporting Conveyors are designed to move a variety of materials from process to process. Steel belt and cleat materials are ideal for conveying small parts efficiently.

Features

- Variable belt speed.
- Removable casters.
- Optional speed adjustable top fan for forced air cooling.



Transporting Conveyor linked with Conveyor Furnace,



Manufacture & Exporter:
HUEI SHANG INDUSTRIAL CO., LTD.
6F, No. 230, Sec. 3, Chengde Road, Taipei, Taiwan
Tel: +886-2-25953031 Fax: +886-2-25915864
E-mail: sales@hsiwww.com <http://hsiwww.com>



European Representative:
MANENTIMACCHINE SRL
Viale Italia, 115 - 25064 Gussago (BS) - Italy
Tel: +39-030-2524627 Fax: +39-030-2524640
E-mail: info@manentimacchine.it
<http://www.manentimacchine.com>



European Representative:
MANTEK, s.r.o.
Bělohorská 55, 169 00 Praha 6, Czech Republic
Tel: +420-222940599 / +420-774402692
Fax: +420-222980125 E-mail: info@mantek.cz