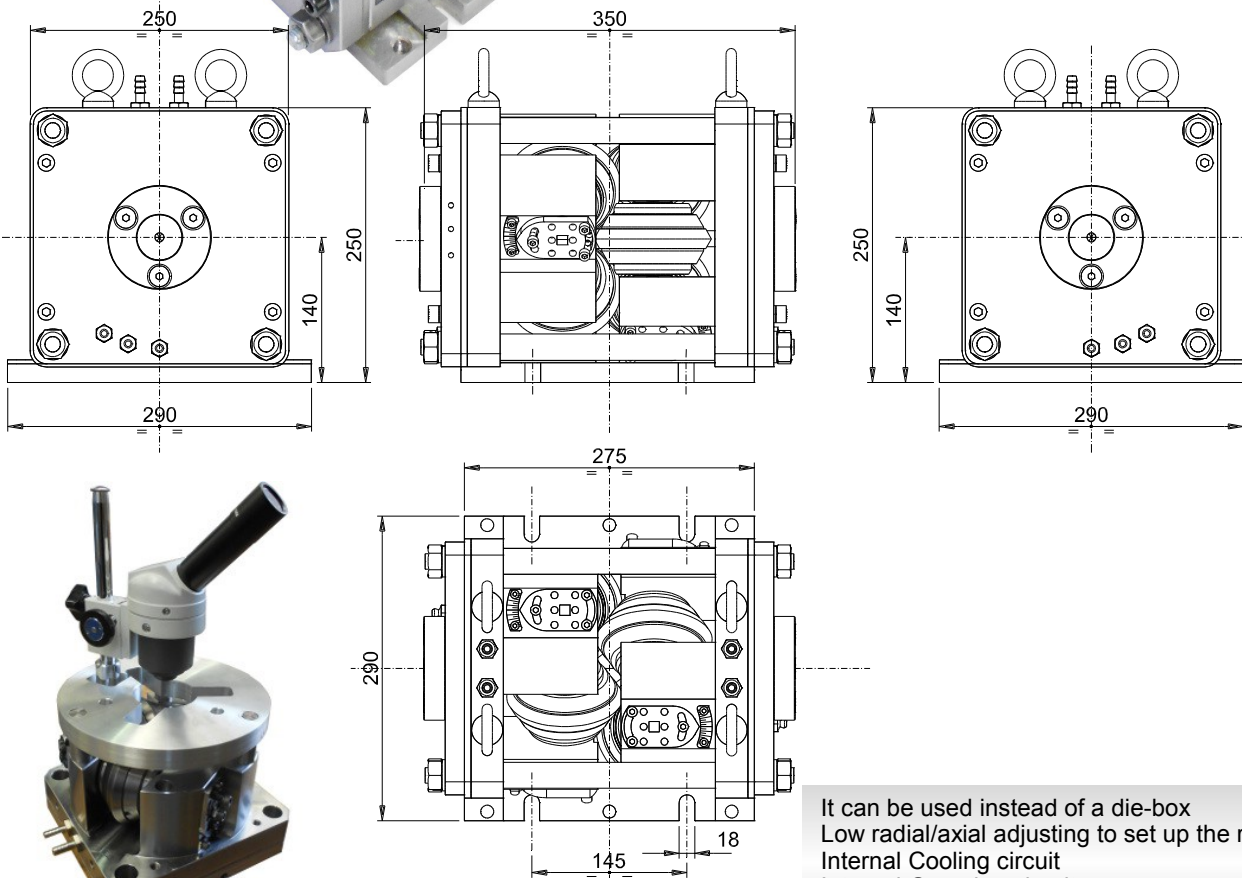
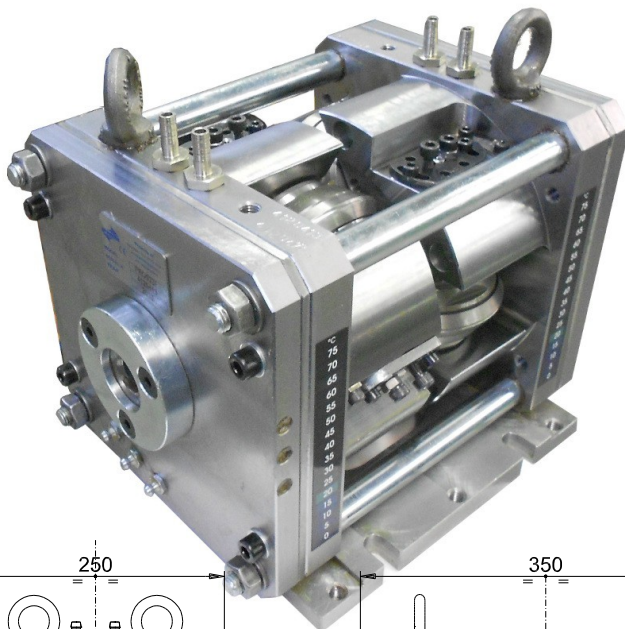




Rolling cassettes
and Tungsten carbide rolls

PRO933F



It can be used instead of a die-box
Low radial/axial adjusting to set up the rolls
Internal Cooling circuit
Internal Greasing circuit
Equiped of 2 thermometers

Description	Mod. PRO 933F
Length	350 mm
Depth	260 mm
Height	250 mm
Weight with rolls and roll holders	59 Kg
Centre line wire/base	140 mm
Locking holes on the length	430 mm
Locking holes on the depth	395 mm
Shaft diameter	30 mm
Nr. of rolls	3+3
Rolls' outer Ø	90 mm
Rolls/roll holders' thickness	56 mm