

SM Semi Machined, Dynamically balanced to ISO9001:2000

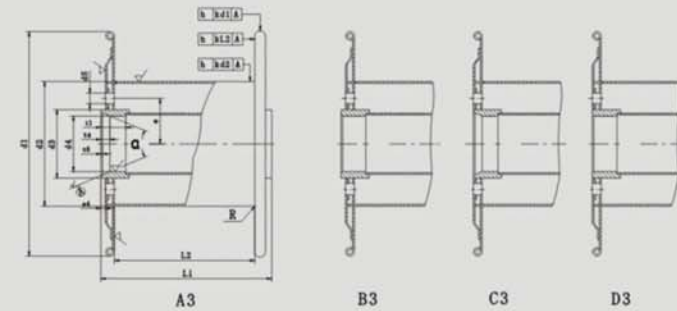
Wire drawing- DIN 46395/DIN46397

SM315-1250

These reels have pressed steel flanges and are suitable for drawing, stranding and bunching of cable and all types of wire. They are dynamically balanced for speeds from 25m/s to 50m/s. The reel dimensions are according to client specification or international industry standards.



SM DIMENSIONS



- » d1 Flange diameter
- » d2 Barrel diameter
- » d3 Boss diameter
- » d4 Bore diameter
- » d5 Drive pin diameter
- » L1 Overall Width
- » L2 Traverse
- » e Drive radius

Specification Type	d1	d2	d3	d4	L1	L2	d5	e	t1	t4	t5	V1 dm ³
315	315	180	160	125/127	236	200	16	100	63	20	2	10.5
		200										9.3
		224										7.7
355	355	224	160	125/127	265	224	16	100	63	20	2	12.2
		200										15.3
		250										11.2
400	400	224	160	125/127	300	250	16	100	63	20	2	14.8
		250										21.6
		280										19.1
450	450	250	160	125/127	335	280	16	100	63	20	2	16.0
		280										24.6
		315										20.8
500	500	280	160	125/127	375	315	28	100	63	20	2	27.3
		315										22.7
		355										33.7
560	560	315	160	125/127	425	355	28	100	63	20	2	34.2
		355										30.7
		400										47.1
630	630	315	160	125/127	475	400	28	100	63	20	2	50.8
		355										42.3
		400										67.0
710	710	450	300	250	530	450	40	170	125	40	2.5	61.6
		400										95.9
		500										121.6
800	800	450	300	250	600	500	40	170	125	40	2.5	106.6
		500										89.8
		560										137
1000	1000	560	300	250	750	630	50	250	125	40	2.5	153
		710										172
		710										230
1250	1250	800	300	250	950	800	50	250	125	40	2.5	235
		800										565
		900										589
		900										473