

EMC-RFI Suppression Filters 1-phase systems

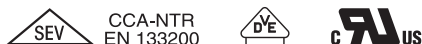


FKV/FKW Series, combi-filters to Protection Class I, conform to EN 133200, UL 1283 and IEC 60950

Nominal current: 1 - 10 A @ ϑ_a 40°C
Rated voltage U_R (U_{max}): 250 VAC 50/60 Hz
Attenuation: Standard
Leakage current: for Standard and Medical applic.
Test voltage: L/N → E 2.7 kVDC, 2 sec
 L → N 1.7 kVDC, 2 sec
Climatic category: 25/085/21 acc. to IEC 60068-1
Degree of protection : IP 40 (operating face)
50% saturation typ.: 2 to 3 x I_N @ 20°C
Inrush current: 1.5 x I_N 1 min. per hour
MTBF @ 40°C / U_R (U_{max}): > 200'000 h acc. to MIL-HB-217 F



Approvals:



Combi-filter with voltage selector and drawer for European fuses, connector conforms to IEC 60320-1/C14.

This range has been specially developed for use in equipment required for worldwide export. With screw panel mounting, giving a good connection to the metal case and efficient HF-screening, high attenuation in the high frequency range is achieved.

FKV connector + 3 step voltage selector + drawer for 1 fuse
5 x 20 mm

FKW connector + 3 step voltage selector + drawer for 2 fuses
5 x 20 mm

Special versions for medical applications are also available.

Technical Data

Type	I_N (1) @ ϑ_a 40°C [A]	U_R (U_{max}) [V]	L_N (2) -30% / +50% [mH]	Leakage current (3) @ 250 V/50 Hz [mA]	Fuse insert (4)		3 step voltage (4) selector
					F1	F2	
FKV2-55-1/I	1	250 V 50/60 Hz	2 x 10	< 0.25	5 x 20	—	x
FKV2-55-2/I	2		2 x 4	< 0.25	5 x 20	—	x
FKV2-55-4/I	4		2 x 1.5	< 0.25	5 x 20	—	x
FKV2-55-6/I	6		2 x 0.8	< 0.25	5 x 20	—	x
FKV2-55-10/I	10		2 x 0.3	< 0.25	5 x 20	—	x
FKW2-55-1/I	1	250 V 50/60 Hz	2 x 10	< 0.25	5 x 20	5 x 20	x
FKW2-55-2/I	2		2 x 4	< 0.25	5 x 20	5 x 20	x
FKW2-55-4/I	4		2 x 1.5	< 0.25	5 x 20	5 x 20	x
FKW2-55-6/I	6		2 x 0.8	< 0.25	5 x 20	5 x 20	x
FKW2-55-10/I	10		2 x 0.3	< 0.25	5 x 20	5 x 20	x

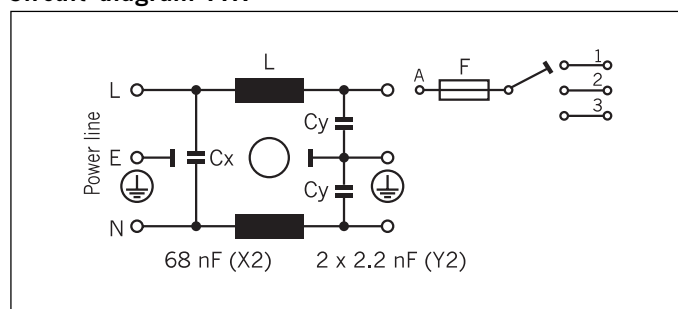
(1) Current derating over 40°C : $I = I_N \times \sqrt{(85-\vartheta_a)/45}$

(2) Nominal inductance measured according to EN 138100, see introduction of this catalog, paragraph 3.4

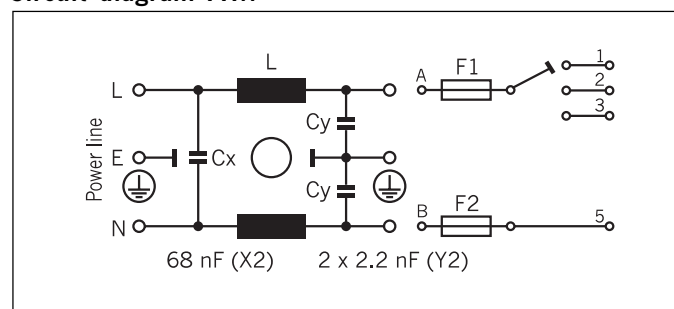
(3) Measured according to IEC 60950 5.2.3 Annex D, see introduction of this catalog, paragraph 3.5

(4) The drawer for fuse must be ordered separately, see «FKV/FKW/FKO/FKP/FKQ/FKR».

Circuit diagram FKV



Circuit diagram FKW



Mechanical dimensions (FKV) FKW

