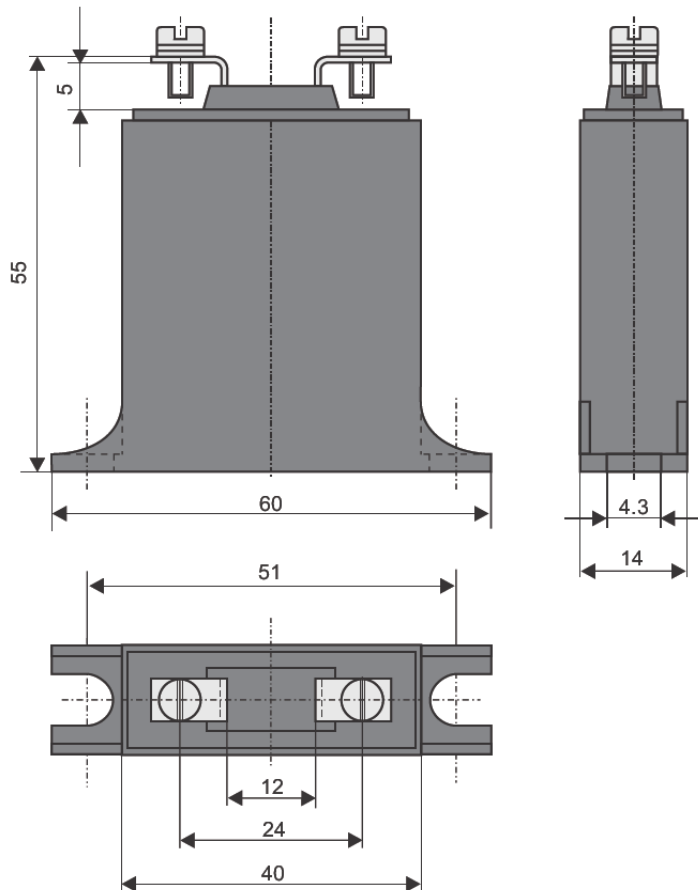


## TECHNICAL SPECIFICATION

<b>TYPE</b>	<b>V75E40</b>	<b>CODE</b>	<b>001952269</b>
-------------	---------------	-------------	------------------

### 1.ELECTRIC PARAMETERS

Part Number	Maximum Ratings TA = +85°C (+185°F)					Characteristics TA = +25°C (+77°F)				
	Operating Voltage		Average Power Dissipation	Permissible Peak Current (8/20 $\mu$ s)	Energy Absorption (2 ms)	Varistor Voltage (1 mA)		Maximum Clamping Voltage at Test Current (8/20 $\mu$ s)		Typical Capacitance f=1kHz
	RMS Voltage	DC Voltage				V <sub>N</sub> (V)	$\Delta$ V <sub>N</sub> (%)	V <sub>C</sub> (V)	I (A)	
	V <sub>RMS</sub> (V)	V <sub>DC</sub> (V)	P <sub>max</sub> (W)	I <sub>max</sub> (A)	W <sub>max</sub> (J)					C (pF)
V75S40	75	100	1.4	40000	720	120	$\pm$ 10	200	300	13000



IZDELAL	MIHA BABNIK	ODOBRIL	MITJA HARIŠ
---------	-------------	---------	-------------