



HIND RECTIFIERS LTD.
 REGD. OFFICE & WORKS: LAKE ROAD, BHANDUP,
 MUMBAI – 400 078
 Tel. : 25968027-28-31 Fax : 25964352, 25964114
 Web site: http:// www.hirect.com

RECTIFIER DIODE

SXXHNS/HRS 150 M/U

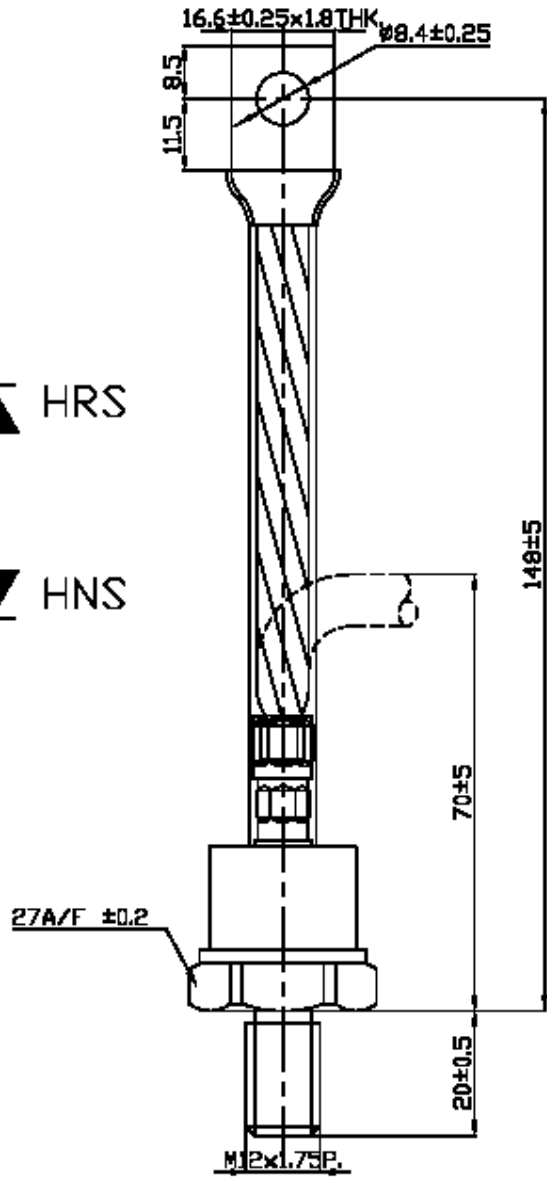
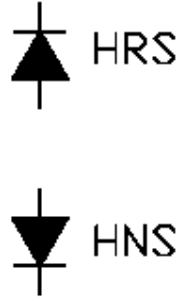
Repetitive voltage upto **1500 V**
 Mean forward current **150 A**
 Surge current **3600 A**

Symbol	Characteristic	Conditions	T _j [°C]	Value	Unit
BLOCKING					
V _{RRM}	Repetitive peak reverse voltage		180	200 - 1500	V
I _{RRM}	Repetitive peak reverse current	V = V _{RRM}	180	20	mA
CONDUCTING					
I _{F(AV)}	Mean forward current	180° sin ,50 Hz, T _{CASE} = 130°C		150	A
I _{RMS}	RMS forward current			200	A
I _{FSM}	Surge forward current	Sine wave, 10 ms	180	3600	A
I ² t	I ² t	Sine wave, 10 ms		64800	A ² s
V _{FM}	Forward voltage	Forward current = 470A	180	1.25	V
V _{F(TO)}	Threshold voltage		180	0.75	V
r _F	Forward slope resistance		180	0.9	mΩ
MOUNTING					
R _{th(j-c)}	Thermal impedance, 180° sine & DC	Junction to case,		0.24	°C/W
R _{th(c-h)}	Thermal impedance	Case to heatsink		0.05	°C/W
T _j	Max. junction temperature			180	°C
T _{stg}	Storage temperature			-40 180	°C
F	Mounting Torque			13.5	NM
	Weight			180	g
	Outline drawing reference	For SXXHNS/HRS150M..... Stud M12X1.75 For SXXHNS/HRS150U.....Stud ½" 20 UNF		TE-6883 TE-5152	

IF IN DOUBT, ASK

SF-03-009

ALL INFORMATION CONTAINED IN THIS DOCUMENT IS CONFIDENTIAL & SHOULD NOT BE USED WITHOUT PRIOR CONSENT OF HIND RECTIFIERS LTD.

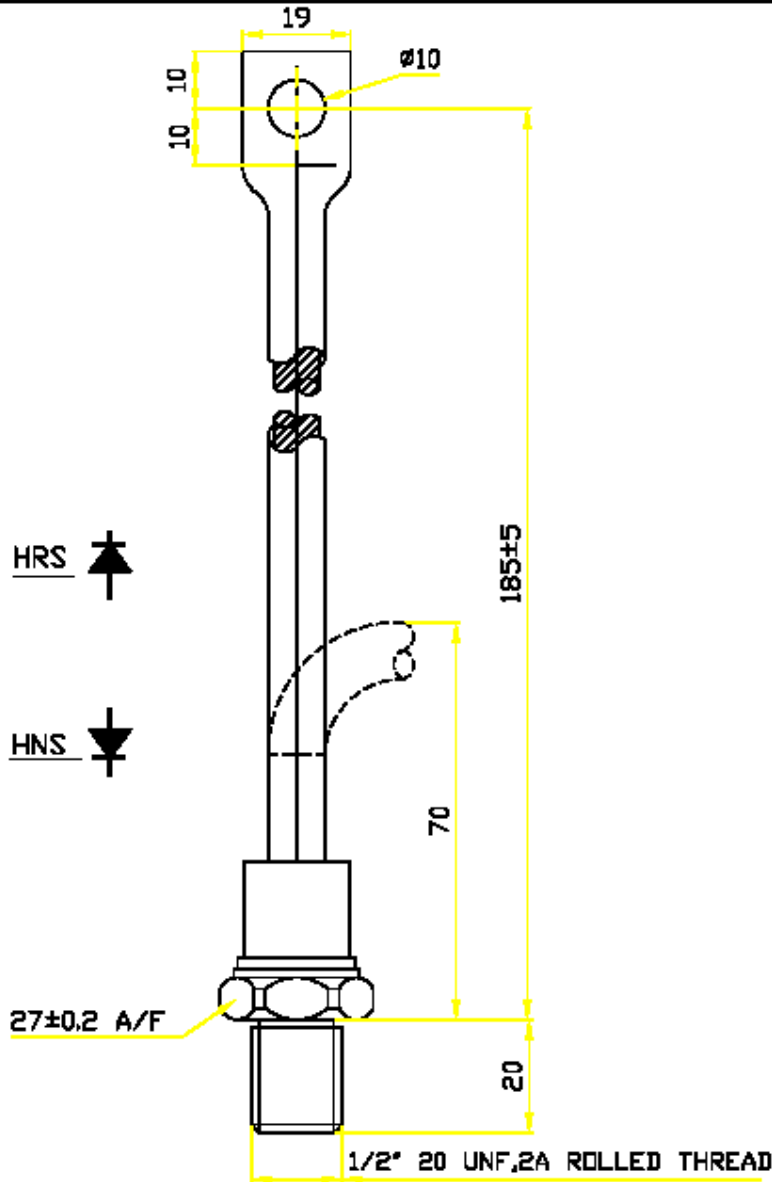


QTY.	DESCRIPTION			REF.	MAT.	P.T.	REMARKS
R. NO.	DATE	ZONE	BRIEF RECORD OF REVISION		INITIAL		
SCALE		DROS	DATE	NWE			
INDIA IN P.P.		SR	25/72	S.K.K.	SA 16 HNS/HRS 160		
		CH	25/72		SEMICONDUCTOR DIVISION		
		AP	25/72		DRG. NO. TE-6883		
TOLERANCE:±0.05		ORDER REF. : HARMSWORTH					

HIND
RECTIFIERS LTD
MUMBAI 400 078,
SEMICONDUCTOR DIVISION



IF IN DOUBT, ASK



ALL INFORMATION CONTAINED IN THIS DOCUMENT IS CONFIDENTIAL & SHOULD NOT BE USED WITHOUT PRIOR CONSENT OF HIND RECTIFIERS LTD.

QTY.	DESCRIPTION	REF.	MAT.	P.T.	REMARKS
R. NO.	DATE	ZONE	BRIEF RECORD OF REVISION	DETAIL	
SCALE					HIND RECTIFIERS LTD MUMBAI 400 078, SEMICONDUCTOR DIVISION
DRW. IN A4		1998	DATE	NAME	
		DR.	02/97	SGK	
		CL	02/97		
		AP.	02/97		
TOLERANCE 0.2					DRG. NO.
ORDER REF. : POWER ELECTRONICS SOUTH AFRICA					TE-5152

HRS/HNS 151U