



HIND RECTIFIERS LTD.
 REGD. OFFICE & WORKS: LAKE ROAD, BHANDUP,
 MUMBAI – 400 078
 Tel. : 25968027-28-31 Fax : 25964352, 25964114
 Web site: [http:// www.hirect.com](http://www.hirect.com)

RECTIFIER DIODE

SXXHNS/HRS260U/M

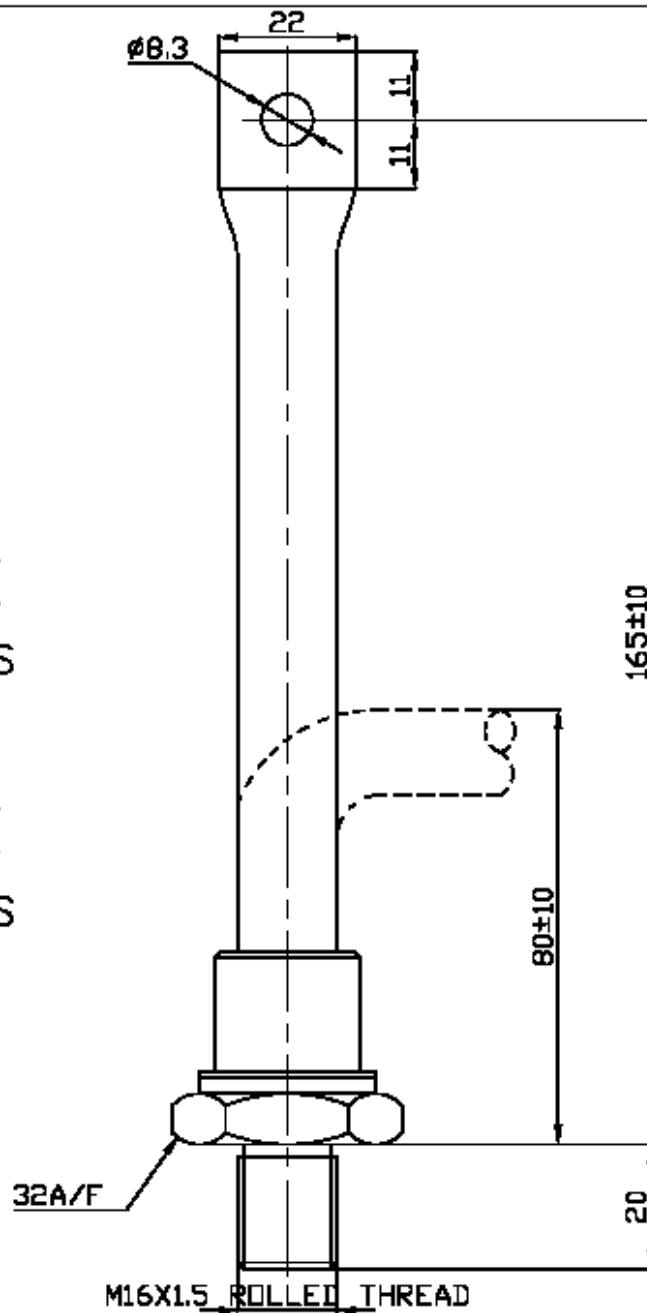
Repetitive voltage upto **1600 V**
 Mean forward current **260 A**
 Surge current **6.0 kA**

Symbol	Characteristic	Conditions	T _j [°C]	Value	Unit
BLOCKING					
V _{RRM}	Repetitive peak reverse voltage		180	200 - 1600	V
I _{RRM}	Repetitive peak reverse current	V = V _{RRM}	180	20	mA
CONDUCTING					
I _{F(AV)}	Mean forward current	180° sin ,50 Hz, T _{CASE} = 125°C		260	A
I _{RMS}	RMS forward current			410	A
I _{FSM}	Surge forward current	Sine wave, 10 ms	180	6000	A
I ² t	I ² t	Sine wave, 10 ms		180 x 10 ³	A ² s
V _{FM}	Forward voltage	Forward current = 440A	25	1.30	V
V _{F(TO)}	Threshold voltage		180	0.82	V
r _F	Forward slope resistance		180	0.45	mΩ
MOUNTING					
R _{th(j-c)}	Thermal impedance, 180° sine	Junction to case,		0.20	°C/W
R _{th(c-h)}	Thermal impedance	Case to heatsink		0.05	°C/W
T _j	Max. junction temperature			180	°C
T _{stg}	Storage temperature			-40 180	°C
F	Mounting Torque			26	NM
	Weight			250	g
	Outline drawing reference	For SXXHNS/HRS301UStud 3/4"16UNF-2A For SXXHNS/HRS301MStud M16X1.5		TE-4971/1 TE- 7094	

IF IN DOUBT, ASK

SF-03-009

ALL INFORMATION CONTAINED IN THIS DOCUMENT IS CONFIDENTIAL & SHOULD NOT BE USED WITHOUT PRIOR CONSENT OF HIND RECTIFIERS LTD



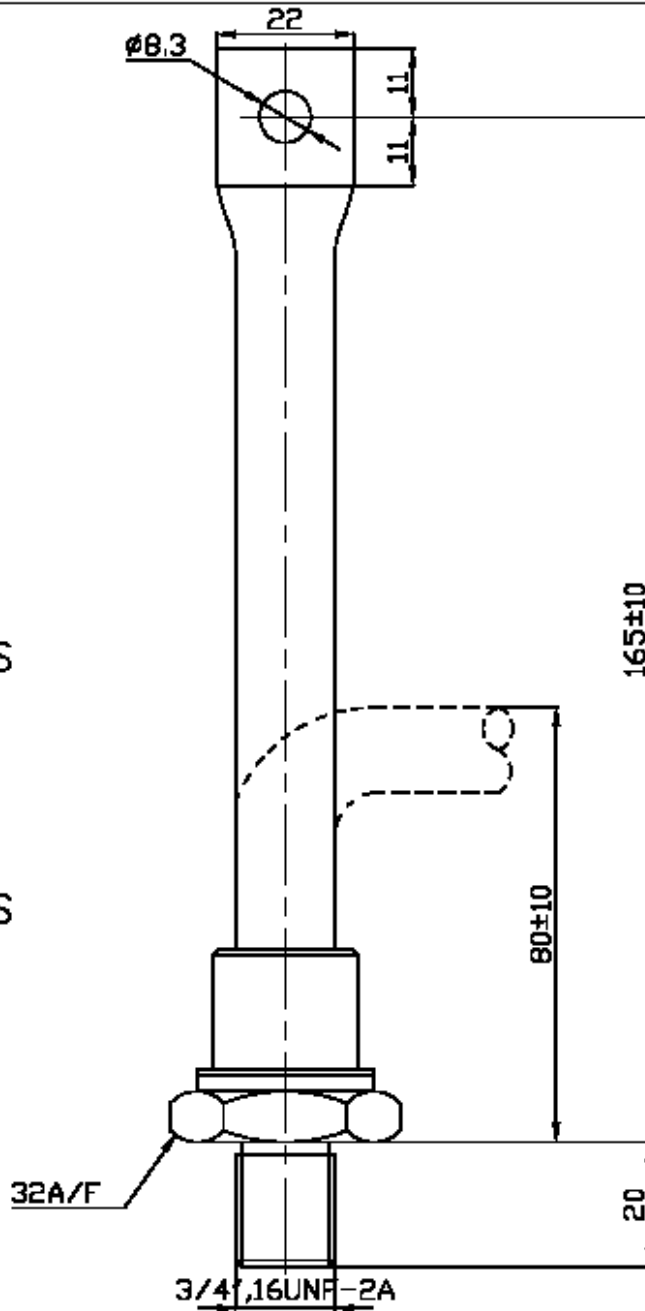
QTY.		DESCRIPTION		REF.	MAT.	P.T.	REMARKS
R. NO.	DATE	ZONE	BRIEF RECORD OF REVISION		INITIAL		
SCALE		DESIGN	DATE	NAME	HIND RECTIFIERS LTD MUMBAI 400 078, SEMICONDUCTOR DIVISION		
DIMEN IN MM.		DR.	12/03	S.G.K.			
		CA	12/03				
		AP.	12/03				
TOLERANCE: 0.2		ORDER REF. :		EXPORT ENQUIRY		DRG. NO.	TE-7094

DIODE

IF IN DOUBT, ASK

SF-03-009

ALL INFORMATION CONTAINED IN THIS DOCUMENT IS CONFIDENTIAL & SHOULD NOT BE USED WITHOUT PRIOR CONSENT OF HIND RECTIFIERS LTD.



QTY.	DESCRIPTION		REF.	MAT.	P.T.	REMARKS
1	02/04/2006					
SCALE		1/8" = 1"	DATE	NAME	HIND RECTIFIERS LTD MUMBAI 400 078, SEMICONDUCTOR DIVISION	
DRAWN BY		DR.	DATE	SGK		
CHECKED BY		CA.	DATE			
TOLERANCE: ±0.2		ORDER REF. :		DRG. NO.		TE-4971/1



DIODE TYPE: 300A (U)