



HIND RECTIFIERS LTD.
 REGD. OFFICE & WORKS: LAKE ROAD, BHANDUP,
 MUMBAI – 400 078
 Tel. : 25968027-28-31 Fax : 25964352, 25964114
 Web site: http:// www.hirect.com

RECTIFIER DIODE

SXXBN/BR 86M/U/M1

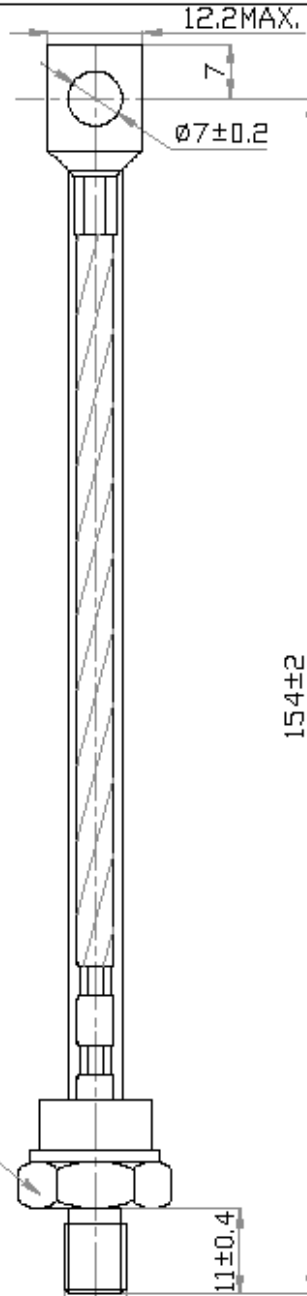
Repetitive voltage upto **1600 V**
 Mean forward current **85 A**
 Surge current **1700 A**

Symbol	Characteristic	Conditions	T _j [°C]	Value	Unit
BLOCKING					
V _{RRM}	Repetitive peak reverse voltage		150	1400 - 1600	V
I _{RRM}	Repetitive peak reverse current	V = V _{RRM}	150	4	mA
CONDUCTING					
I _{F(AV)}	Mean forward current	180° sin ,50 Hz, T _{CASE} = 110°C		85	A
I _{RMS}	RMS forward current			133	A
I _{FSM}	Surge forward current	Sine wave, 10 ms	150	1700	A
I ² t	I ² t	Sine wave, 10 ms		14450	A ² s
V _{FM}	Forward voltage	Forward current = 250A	150	1.30	V
V _{F(TO)}	Threshold voltage		150	0.75	V
r _F	Forward slope resistance		150	1.5	mΩ
MOUNTING					
R _{th(j-c)}	Thermal impedance, 180° sine & DC	Junction to case,		0.35	°C/W
R _{th(j-c)}	Thermal impedance, 120° rectangular	Junction to case,		0.40	°C/W
R _{th(c-h)}	Thermal impedance	Case to heatsink		0.15	°C/W
T _j	Max. junction temperature			150	°C
T _{stg}	Storage temperature			-40 150	°C
F	Mounting Torque			4.5 – 5.5	NM
	Weight			25	g
	Outline drawing reference	For SXXBN/BR86M..... Stud M8X1.5 For SXXBN/BR86U.....Stud ¼" 28 UNF For SXXBN/BR86M1.....Stud M6X1		TE-7165 TE-7352 TE- 7351	

IF IN DOUBT, ASK

SF03-009

CALL INFORMATION CONTAINED IN THIS DOCUMENT IS CONFIDENTIAL & SHOULD NOT BE USED WITHOUT PRIOR CONSENT OF HIND RECTIFIERS LTD.



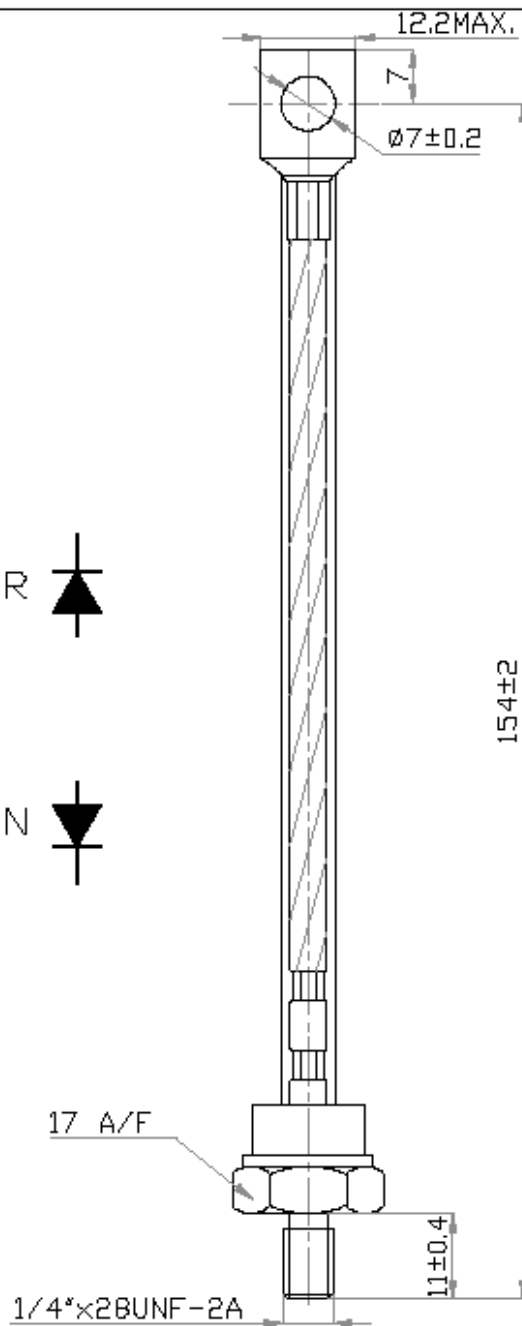
M8x1.25 ROLLED THREAD

QTY.	DESCRIPTION			REF.	MAT.	P.T.	REMARKS
R. NO.	DATE	ZONE	BRIEF RECORD OF REVISION		INITIAL		
SCALE		2011	DATE	NAME	HIND RECTIFIERS LTD MUMBAI 400 078, SEMICONDUCTOR DIVISION		
DIMEN. IN mm		DR.	14/03	S.G.K.			
		CH.	14/03				
		AP.	14/03				
TOLERANCE 0.2		ORDER REF. EXPORT ENQUIRY				DRG. NO.	TE-7165

IF IN DOUBT, ASK

SF03-009

CALL INFORMATION CONTAINED IN THIS DOCUMENT IS CONFIDENTIAL & SHOULD NOT BE USED WITHOUT PRIOR CONSENT OF HIND RECTIFIERS LTD.



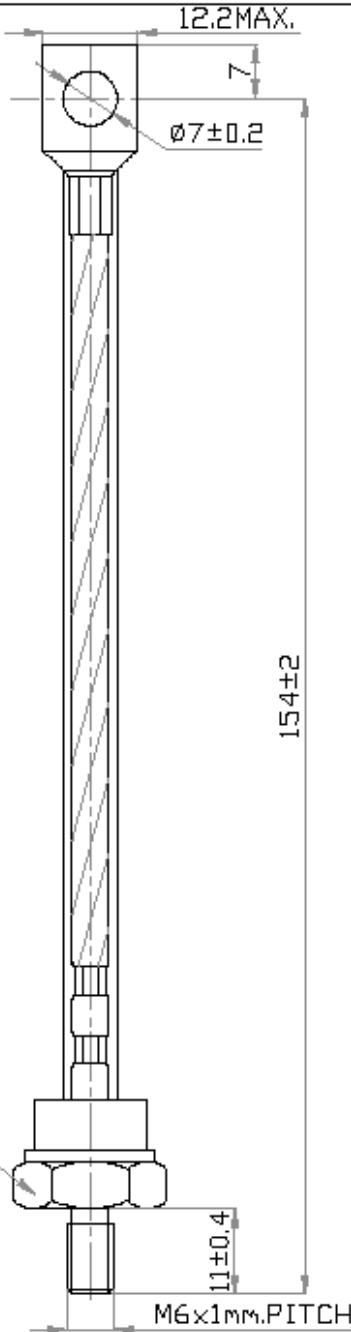
BRAIDED WIRE NO. TE-7166

QTY.	DESCRIPTION			REF.	MAT.	P.T.	REMARKS
R. NO.	DATE	ZONE	BRIEF RECORD OF REVISION		INITIAL		
SCALE	2012	DATE	NAME		HIND RECTIFIERS LTD MUMBAI 400 078, SEMICONDUCTOR DIVISION		
DIMEN. IN mm	DR.	17/08	S.G.K.				
	CH.	17/08					
	AP.	17/08					
TOLERANCE 0.2	ORDER REF. 1 EXPORT ENQUIRY				DRG. NO.	TE-7352	

IF IN DOUBT, ASK

SF03-009

ALL INFORMATION CONTAINED IN THIS DOCUMENT IS CONFIDENTIAL & SHOULD NOT BE USED WITHOUT PRIOR CONSENT OF HIND RECTIFIERS LTD.



QTY.	DESCRIPTION			REF.	MAT.	P.T.	REMARKS
R. NO.	DATE	ZONE	BRIEF RECORD OF REVISION		INITIAL		
SCALE	2012	DATE	NAME	DIODE SXXBN/BR 88M1 HIND RECTIFIERS LTD MUMBAI 400 078, SEMICONDUCTOR DIVISION			
DIMEN. IN mm	DR.	17/08	S.G.K.				
	CH.	17/08					
	AP.	17/08					
TOLERANCE 0.2	ORDER REF. & EXPORT ENQUIRY			DRG. NO.	TE-7351		