



HIND RECTIFIERS LTD.
 REGD. OFFICE & WORKS: LAKE ROAD, BHANDUP,
 MUMBAI – 400 078
 Tel. : 25968027-28-31 Fax : 25964352, 25964114
 Web site: [http:// www.hirect.com](http://www.hirect.com)

RECTIFIER DIODE	SXXAN/AR55 U/M	1500 V	
	SXXBN/BR55 U/M		55 A
	Repetitive voltage upto Mean forward current Surge current		800 A

Symbol	Characteristic	Conditions	T _j [°C]	Value	Unit
BLOCKING					
V _{RRM}	Repetitive peak reverse voltage		180	200 - 1500	V
I _{RRM}	Repetitive peak reverse current	V = V _{RRM}	180	8	mA
CONDUCTING					
I _{F(AV)}	Mean forward current	180° sin ,50 Hz, T _{CASE} =125°C		55	A
I _{RMS}	RMS forward current			86	A
I _{FSM}	Surge forward current	Sine wave, 10 ms	180	800	A
I ² t	I ² t	Sine wave, 10 ms		3200	A ² s
V _{FM}	Peak forward voltage	Peak forward current = 172A	180	1.35	V
V _{F(AV)}	Average forward voltage	I _{F(AV)} = 55A, T _{CASE} =125°C		550	mV
V _{F(TO)}	Threshold voltage		180	0.72	V
r _F	Forward slope resistance		180	2.75	mΩ
MOUNTING					
R _{th(j-c)}	Thermal impedance, 180° sine	Junction to case,		0.50	°C/W
R _{th(c-h)}	Thermal impedance	Case to heatsink		0.15	°C/W
T _j	Max. junction temperature			180	°C
T _{stg}	Storage temperature			-40 180	°C
F	Mounting Torque			4.5	NM
	Weight	Without lead With lead		22 35	g
	Outline drawing reference	For SXXAN/AR55 M Stud M8X1.25 For SXXAN/AR55 U Stud ¼" UNF For SXXBN/BR55 M Stud M8X1.25 For SXXBN/BR55 U Stud ¼" UNF		TE-5061 TE-5061 TE-4769 TE-7147	

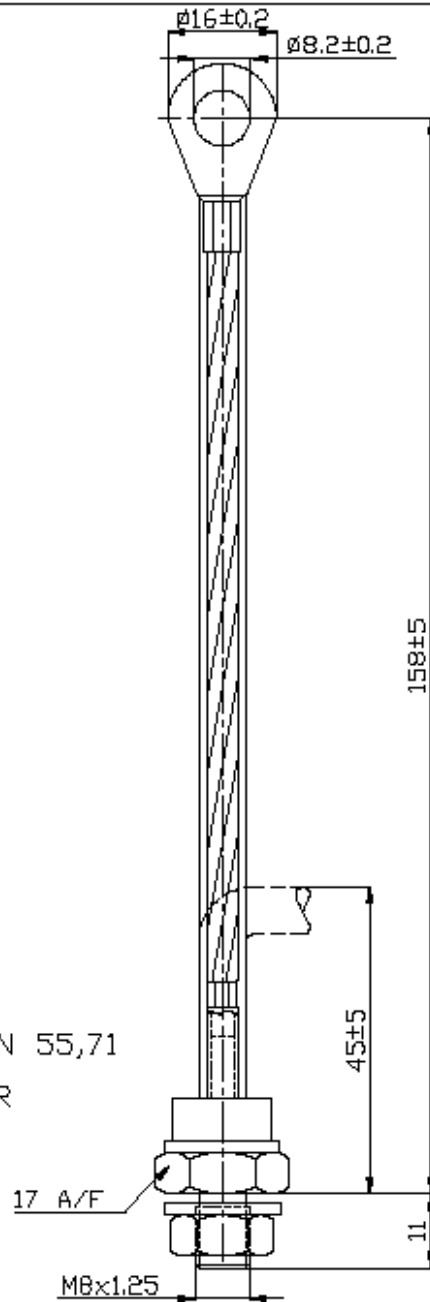
IF IN DOUBT, ASK

SF03-009

ALL INFORMATION CONTAINED IN THIS DOCUMENT IS CONFIDENTIAL & SHOULD NOT BE USED WITHOUT PRIOR CONSENT OF HIND RECTIFIERS LTD.



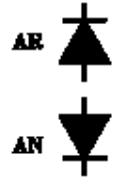
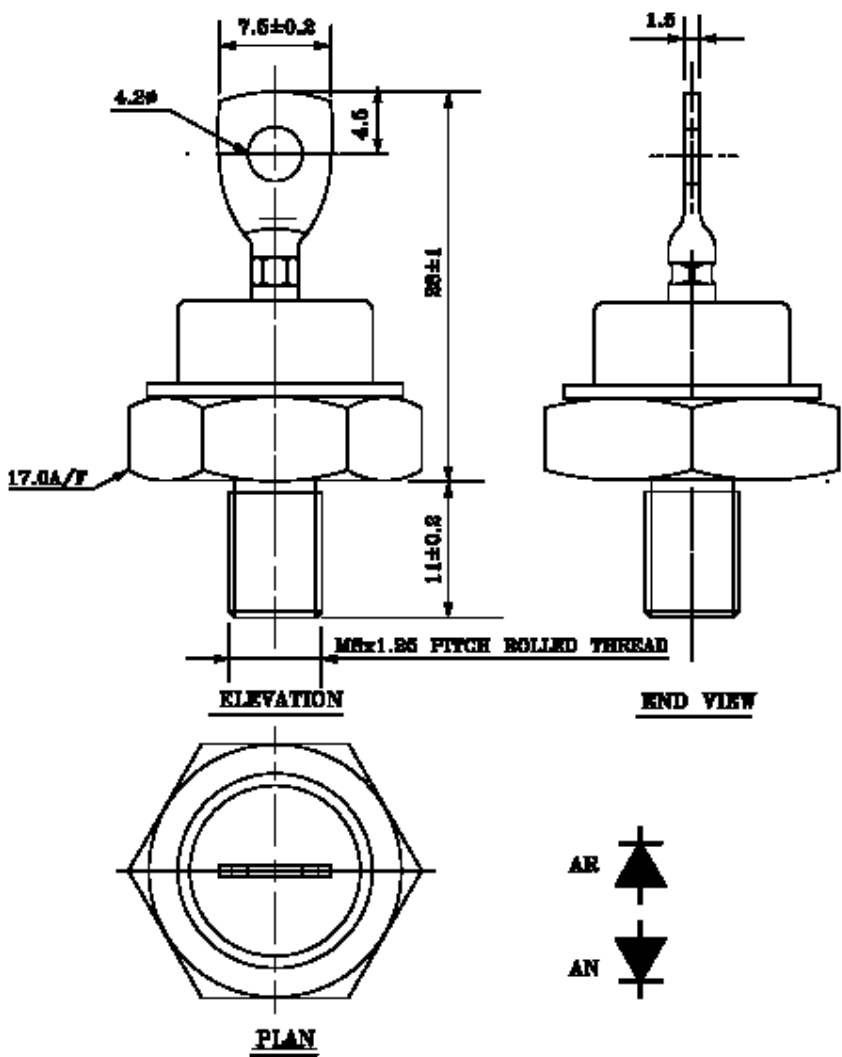
SAXX HR/HN 55,71
BN/BR



SFXX HN/HR-55
SFXX BN/BR-70/71/85
Sxx HN/HR-55

QTY.		DESCRIPTION			REF.	MAT.	P.T.	REMARKS
R. NO.	DATE	ZONE	BRIEF RECORD OF REVISION		INITIAL			
SCALE		1995	DATE	NAME	HIND RECTIFIERS LTD MUMBAI 400 078, SEMICONDUCTOR DIVISION			
DIMEN IN mm.		DR.	28/11	S.G.K.				
		CH.	28/11					
TOLERANCE 0.2		AP.	28/11					
ORDER REF. : 71A					DIODE			
					SxxBR/BN 71			
							DRG. NO.	TE-4769

IF IN DOUBT, ASK



NOTE : Also available in $1/4''-28$ UNF-2A threading on request.

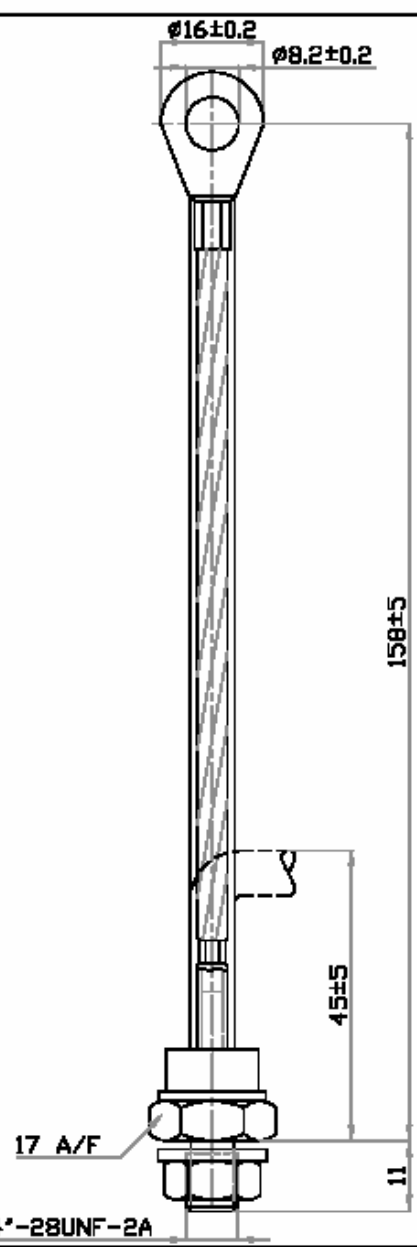
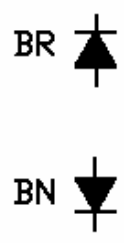
ALL DIMENSIONS GIVEN IN THIS DRAWING IS IN MILLIMETER & CONVERSION TO INCHES MAY BE MADE USING THE TABLE OF METRIC TO IMPERIAL UNITS.

QTY.	DESCRIPTION			REF.	MAT.	PT.	REMARKS
E. NO.	DATE	ISSN	DEPT. HEADS OF DIVISION		INITIALS		
SCALE		1:50	DATE	NAME	HIND RECTIFIERS LTD. MUMBAI-400 078. SEMICONDUCTOR DIVISION		
DIMEN. IN mm / INCHES		DR.	18/08	S.G.K.			
		CHL.	18/08				
		AP.	18/08				
TOLERANCE		OTHER REF. :			DESG. NO. TE-5061		

IF IN DOUBT, ASK

SF03-009

CALL INFORMATION CONTAINED IN THIS DOCUMENT IS CONFIDENTIAL & SHOULD NOT BE USED WITHOUT PRIOR CONSENT OF HIND RECTIFIERS LTD.



QTY.	DESCRIPTION			REF.	MAT.	P.T.	REMARKS
R. NO.	DATE	ZONE	BRIEF RECORD OF REVISION		INITIAL	HIND RECTIFIERS LTD MUNBAI 400 078, SEMICONDUCTOR DIVISION	
SCALE		1998	DATE	NAME	SXXBN/BR 55 -71 DRG. NO. TE-7147 ORDER REF. : 71A		
DIMEN. IN MM.		DR.	BB/LL	S.G.K.			
		CH.	BB/LL				
		AP.	BB/LL				