



HIND RECTIFIERS LTD.
 REGD. OFFICE & WORKS: LAKE ROAD, BHANDUP,
 MUMBAI – 400 078
 Tel. : 25968027-28-31 Fax : 25964352, 25964114
 Web site: http:// www.hirect.com

RECTIFIER DIODE

SXXAN/AR 85M/U/M1

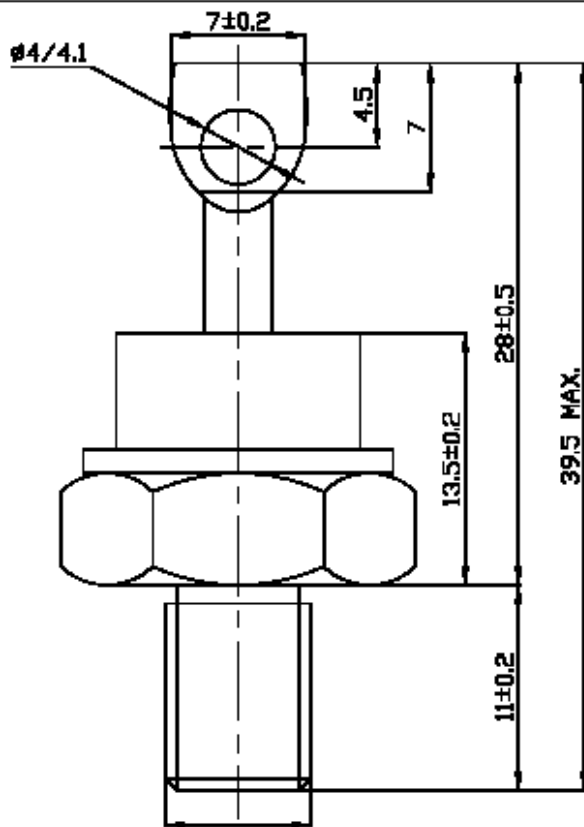
Repetitive voltage upto **1200 V**
 Mean forward current **85 A**
 Surge current **1700 A**

| Symbol | Characteristic | Conditions | T _j [°C] | Value | Unit |
|----------------------|-------------------------------------|--|------------------------|-----------------------------------|------------------|
| BLOCKING | | | | | |
| V _{RRM} | Repetitive peak reverse voltage | | 180 | 200 - 1200 | V |
| I _{RRM} | Repetitive peak reverse current | V = V _{RRM} | 180 | 10 | mA |
| CONDUCTING | | | | | |
| I _{F(AV)} | Mean forward current | 180° sin ,50 Hz, T _{CASE} = 140 °C | | 85 | A |
| I _{RMS} | RMS forward current | | | 133 | A |
| I _{FSM} | Surge forward current | Sine wave, 10 ms | 180 | 1700 | A |
| I ² t | I ² t | Sine wave, 10 ms | | 14450 | A ² s |
| V _{FM} | Forward voltage | Forward current = 250A | 180 | 1.20 | V |
| V _{F(TO)} | Threshold voltage | | 180 | 0.75 | V |
| r _F | Forward slope resistance | | 180 | 1.5 | mΩ |
| MOUNTING | | | | | |
| R _{th(j-c)} | Thermal impedance, 180° sine & DC | Junction to case, | | 0.35 | °C/W |
| R _{th(j-c)} | Thermal impedance, 120° rectangular | Junction to case, | | 0.40 | °C/W |
| R _{th(c-h)} | Thermal impedance | Case to heatsink | | 0.15 | °C/W |
| T _j | Max. junction temperature | | | 180 | °C |
| T _{stg} | Storage temperature | | | -40 180 | °C |
| F | Mounting Torque | | | 4.5 – 5.5 | NM |
| | Weight | | | 25 | g |
| | Outline drawing reference | For SXXAN/AR85M..... Stud M8X1.5 For SXXAN/AR85U.....Stud ¼" 28 UNF For SXXAN/AR85M1.....Stud M6X1 | | TE-7092 TE-5249/1 TE-5637/1 | |

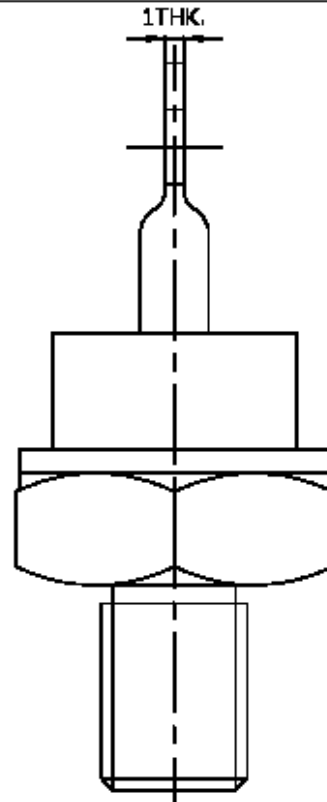
IF IN DOUBT, ASK

SF-03-009

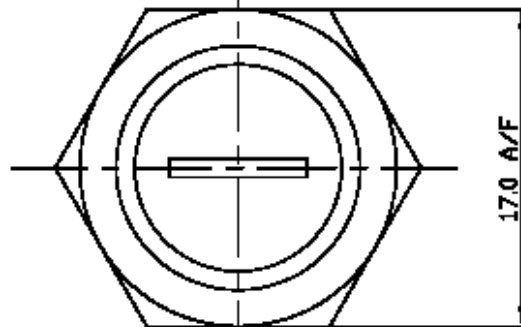
ALL INFORMATION CONTAINED IN THIS DOCUMENT IS CONFIDENTIAL & SHOULD NOT BE USED WITHOUT PRIOR CONSENT OF HIND RECTIFIERS LTD.



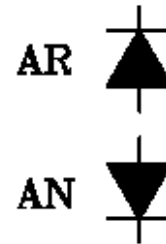
M8x1.25 PITCH ROLLED THREAD.
ELEVATION



END VIEW



PLAN



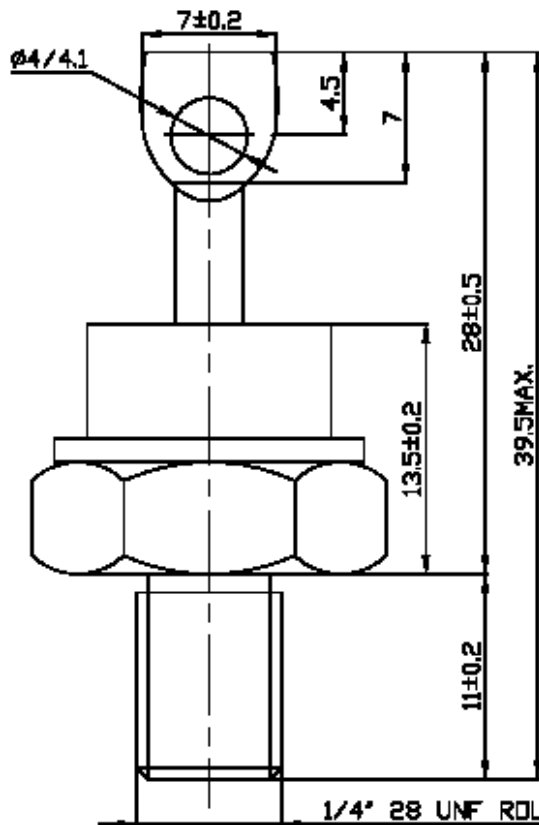
| QTY. | | DESCRIPTION | | REF. | MAT. | P.T. | REMARKS |
|-----------------|------|------------------------------|--------------------------|--------|--|------|---------|
| QTY. | DATE | ZONE | BRIEF RECORD OF REVISION | | INITIAL | | |
| | | | | | | | |
| | | | | | | | |
| | | | | | | | |
| SCALE | | DRG. | DATE | NAME | HIND RECTIFIERS LTD MUMBAI 400 078, SEMICONDUCTOR DIVISION | | |
| SYMBOL IN FIG. | | DR. | 11/78 | S.G.K. | | | |
| | | DR. | 11/78 | | | | |
| | | AP. | 11/78 | | | | |
| TOLERANCE: ±0.2 | | ORDER REF. EXPORT ENQUIRY. | | | DRG. NL TE-7092 | | |

DIODE

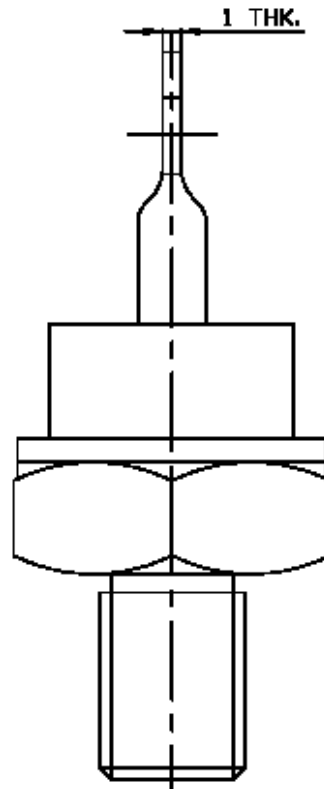
IF IN DOUBT, ASK

SF-03-009

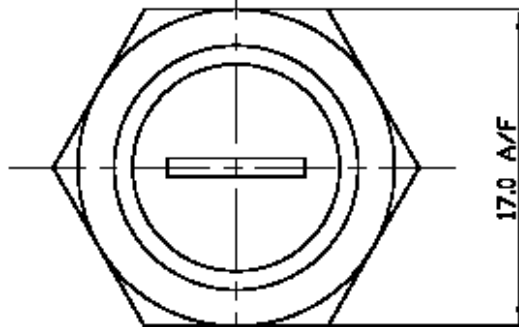
ALL INFORMATION CONTAINED IN THIS DOCUMENT IS CONFIDENTIAL & SHOULD NOT BE USED WITHOUT PRIOR CONSENT OF HIND RECTIFIERS LTD.



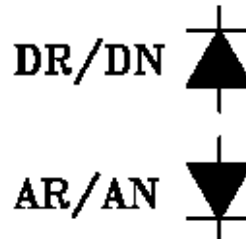
ELEVATION



END VIEW



PLAN



| QTY. | DESCRIPTION | REF. | MAT. | P.T. | REMARKS |
|---------------------|--|------|-------|---------|---------------------|
| 1 | REVISION 06 CHD. TO 09 & 27 CHD. TO 29.5 | | | | |
| SCALE | | 1999 | DATE | NAME | DN/DR 70-85 |
| DIMEN IN MM. | | DR | 16/09 | SGK | SKX/SFX AN/AR 71-85 |
| TOLERANCE: 0.2 | | DA | 16/09 | | |
| ORDER REF. : EXPORT | | AP | 16/09 | | |
| | | | | DRG. NL | TE-5249/1 |

HIND
RECTIFIERS LTD
MUMBAI 400 078.

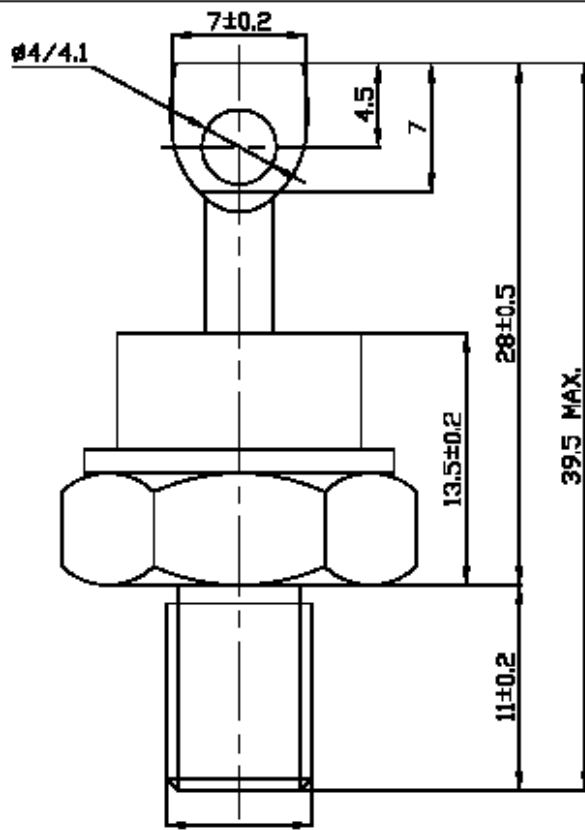


SEMICONDUCTOR DIVISION

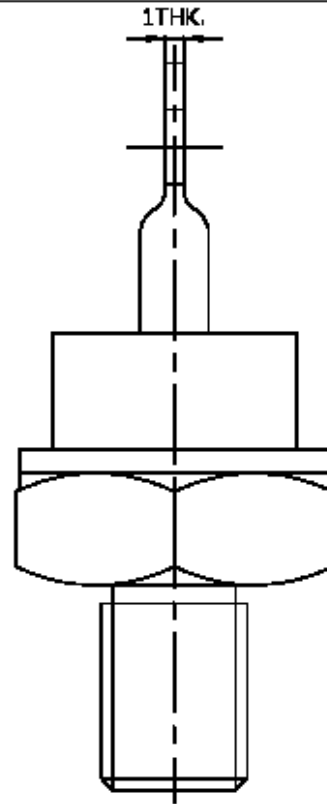
IF IN DOUBT, ASK

SF-03-009

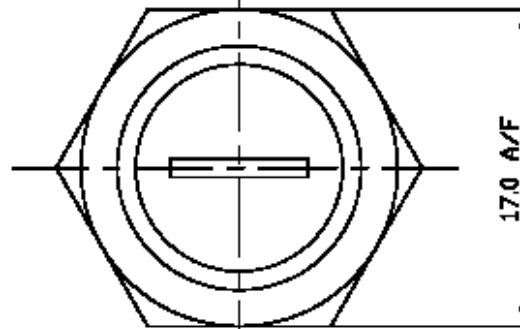
ALL INFORMATION CONTAINED IN THIS DOCUMENT IS CONFIDENTIAL & SHOULD NOT BE USED WITHOUT PRIOR CONSENT OF HIND RECTIFIERS LTD.



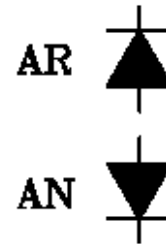
M6x1 PITCH ROLLED THREAD.
ELEVATION



END VIEW



PLAN



| QTY. | | DESCRIPTION | | REF. | MAT. | P.T. | REMARKS |
|----------------|----------|----------------------------|---|--------|--|------|----------------------|
| SL. NO. | DATE | ZONE | BRIEF RECORD OF REVISION | | INITIAL | | |
| 1. | 26/03/87 | | DIMENSIONS 26 END TO 28 & 27/28 TO 29.5 | | S.S.K. | | |
| | | | | | | | |
| | | | | | | | |
| SCALE | | DRD | DATE | NAME | HIND RECTIFIERS LTD MUMBAI 400 078, SEMICONDUCTOR DIVISION | | |
| SYMBOL IN FIG. | | DR. | 12/82 | S.G.K. | | | |
| | | DA | 12/82 | | | | |
| | | AP. | 12/82 | | | | |
| TOLERANCE: 0.2 | | ORDER REF. EXPORT ENQUIRY. | | | SXX AN/AR 71 | | DRG. NL TE-5637/1 |