

Mesh Gate 6424-XL & Mesh Node-XL ¹⁾

EXTRA LONG RANGE

Mesh Gate 6424-XL: Stand-alone gateway which manages the wireless network and collects data periodically sent by the EMN, Wi-Zone and/or Wi-Pulse devices. The Mesh Gate 6424-XL family is split into three options according to the number of end nodes allowed in the network.



Description	Maximum number of Nodes
Mesh Gate 6424 10-XL (ID 170)	10
Mesh Gate 6424 100-XL (ID 200)	100
Mesh Gate 6424 200-XL (ID 220)	200



Mesh Node-XL: Network repeater allowing extended distance between the EMN, Wi-Zone and/or Wi-Pulse devices and the Mesh Gate. A Mesh network provides redundant data paths to the gateway.



Features

- Mesh, Star and Star-Mesh Network topologies
- Interface RS 232 Modbus RTU (Gateway only) ²⁾
- RF frequency range ³⁾

2405 .. 2480	MHz
802.15.4	

 - ◆ Programmable in 16 channels
 - ◆ Channel spacing 5 MHz
 - ◆ Unlicensed ISM band worldwide
- Range between Mesh Node-XL and Mesh Gate 6424-XL

(indoor, line of sight)	260	m
-------------------------	-----	---
- Range to EMN (indoor, line of sight)

	25	m
--	----	---
- Data rate

	250	kbps
--	-----	------
- Power supply voltage AC adaptor (see page two)

	6 to 30	V DC
--	---------	------
- RF output power

	max 20 dBm (100mW)	
--	--------------------	--

General data

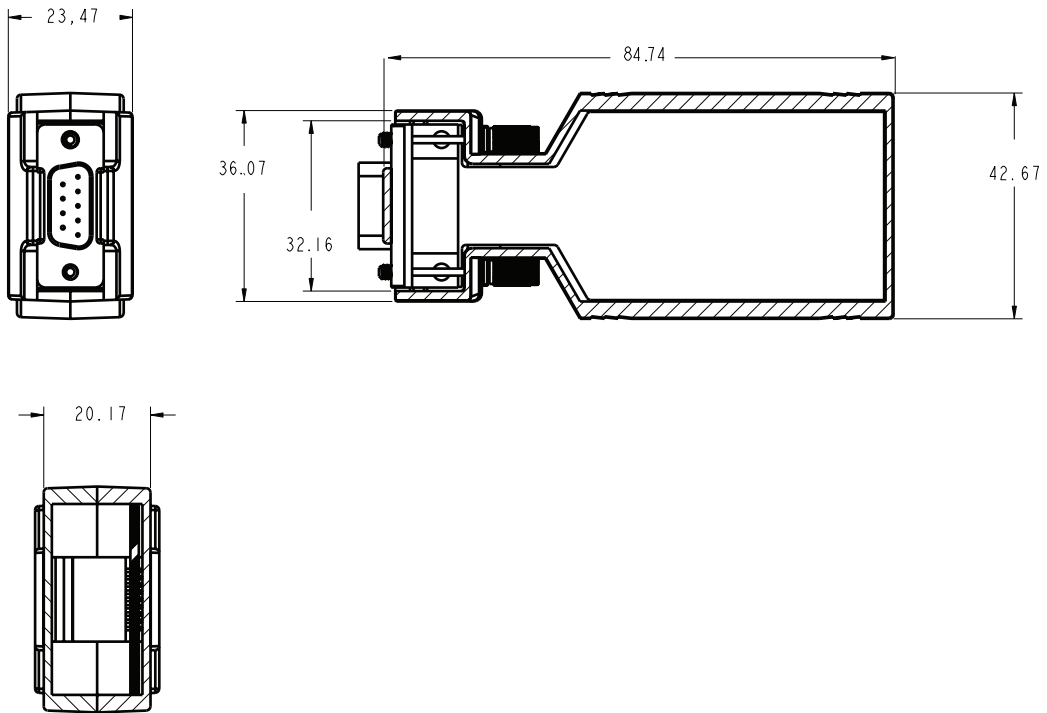
P_C	Power consumption	200	mA
T_A	Ambient operating temperature	- 10 .. + 55	°C
T_S	Storage temperature	- 25 .. + 85	°C
m	Mass Mesh Gate 6424-XL	60	g
	Mesh Node-XL	151	g

Notes: ¹⁾ For XL model, check that the country regulation allows up to 100 mW. RF power.

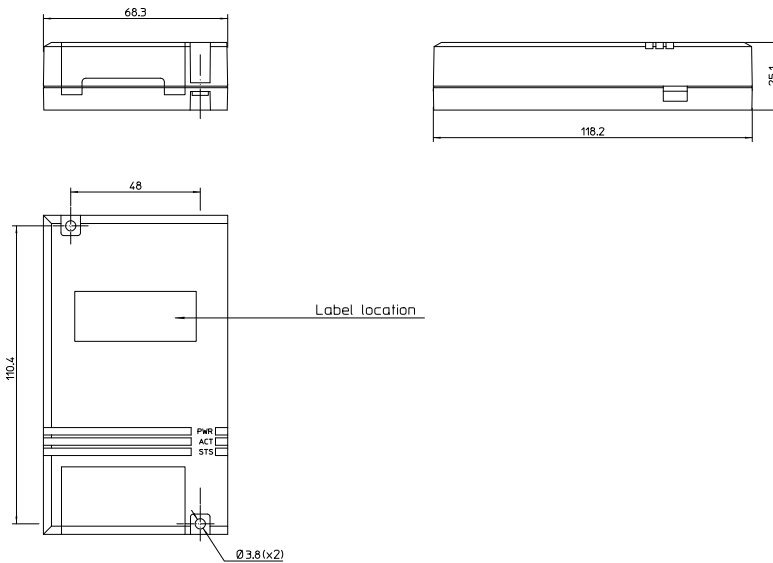
²⁾ For more information, see WI-LEM user guide

³⁾ RF Certifications: CE, FCC, IC.

Mesh Gate 6424-XL (in mm. 1mm = 0.0394 inch)



Mesh Node-XL (in mm. 1mm = 0.0394 inch)



Power Supply: AC Adaptor

Please order separately the Mesh Gate 6424 -XL & Mesh Node-XL AC Power Supply according to the table below:

Reference	Description	LEM code
AC Adaptor EU	AC Power Supply for EU	90.D2.98.004.0
AC Adaptor UK	AC Power Supply for UK	90.D2.98.005.0
AC Adaptor US/JP	AC Power Supply for US & Japan	90.D2.98.003.0