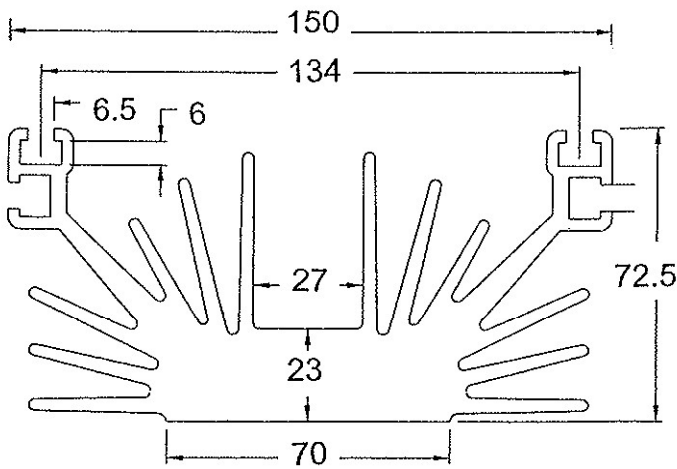
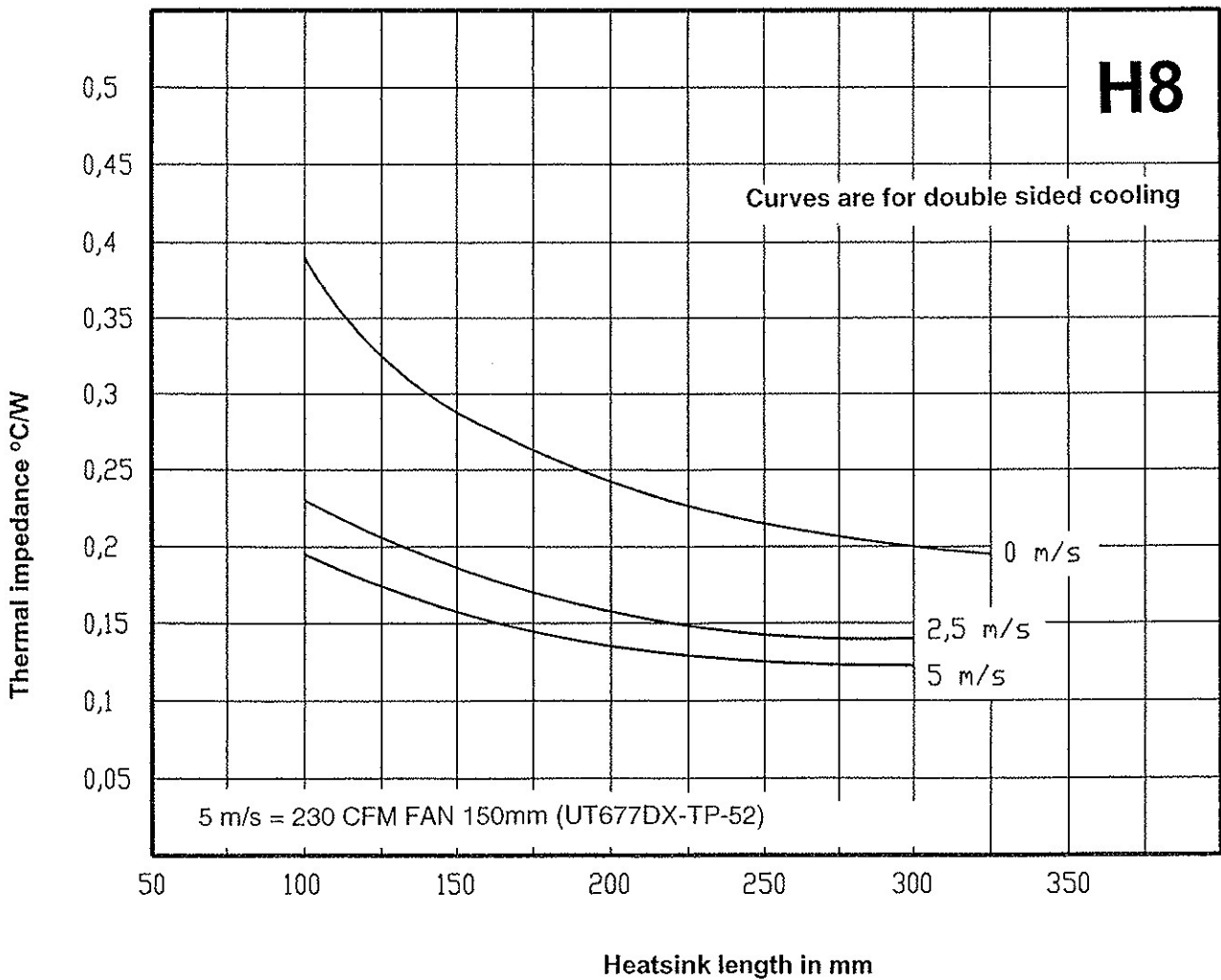


H8 HEATSINK



The H8 Heatsink is mostly used for all "Puk" or Capsule devices in double side or single side cooling arrangements. The construction of the heatsink allows the user to attach RC- snubber networks or fuses. To obtain the lowest possible thermal impedance H8 heatsink can also be forced air cooled.

Weight/m	Area of Cross Section	Perimeter
kg/m	mm ²	mm
10.65	3932	1324



Graph above depicts thermal impedance at a temperature rise of 50°C against the length (mm)