

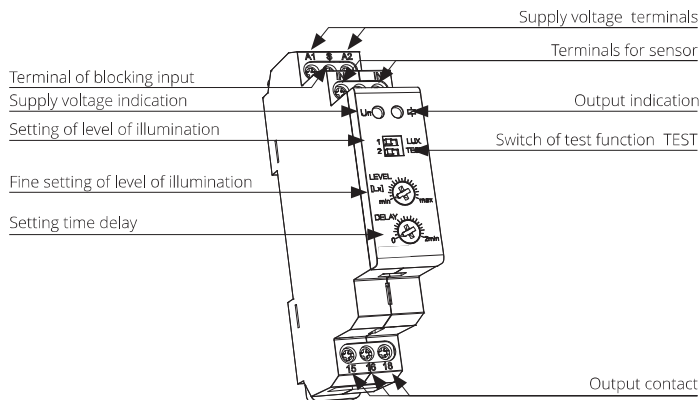
MONITORING RELAYS - TWILIGHT SWITCH - TSD 1



TSD 1 – TWILIGHT SWITCH WITH EXTERNAL FOTSENSOR USED FOR SWITCHING STREET ILLUMINATION AND GARDEN LIGHTS, ILLUMINATION OF ADVERTISEMENTS, SHOP WINDOWS, ETC.

FUNCTION DESCRIPTION

- Used to control lights on the basis of ambient light intensity
- Level of ambient intensity is monitored by an external sensor and output is switched according to set level on the device
- Control input for additional control, e.g. time switch, preswitch etc.
- Level of illumination adjustable in two ranges: 1 - 100 lx and 100 - 50000 lx
- Adjustable time delay to eliminate short term fluctuation in illumination
- External sensor IP44 suitable for mounting on the wall (cover and holder of a sensor are a part of the package)
- Supply voltage AC 230 V or AC/DC 12 - 240 V
- Output contact: 1x changeover/ SPDT 16 A
- Red LED output indication
- 1-MODULE, DIN rail mounting



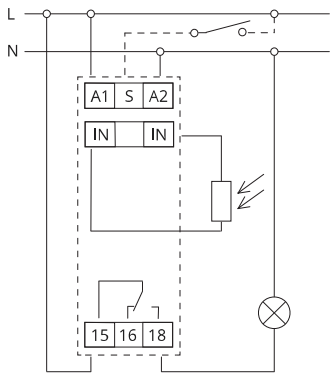
Type	Control supply (V)	Number of optput contacts	Ordering No.	Weight (g)	Packaging (pcs)
TSD 1 1 230 V AC	230	1	786.053.016	65	1

MONITORING RELAYS - TWILIGHT SWITCH - TSD 1

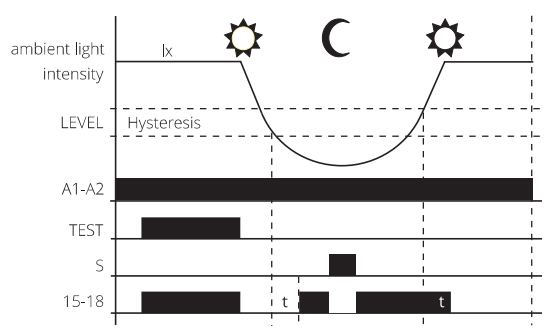
Type	TSD 1
Supply terminals	A1 - A2
Supply voltage	AC 230 V / 50 - 60 Hz
Power input (apparent/loss)	AC max. 12 VA / 1.8 W
Supply voltage tolerance	-15 %; +10 %
Supply indication	green LED
Time delay	0 - 2 min
Time delay setting	potentiometer
Illumination rang 1)	1 - 100 lx
Illumination rang 2)	100 - 50000 lx
OUTPUT	
Number of contacts	1x changeover/SPDT (AgNiSnO ₂)
Current rating	16 A / AC1
Breaking capacity	4000 VA / AC1, 384 W / DC
Inrush current	30 A / <3 s
Switching voltage	250 V AC1 / 24 V DC
Output indication	red LED
Mechanical life	3 x 10 ⁷
Electrical life (AC1)	<0.7 x 10 ⁵
CONTROL	
Power the control input	0.8 - 530 mVA
Load between S - A2	yes
Control terminals	A1 - S
Glow tubes connections	yes
Max. amount of flow lamps connected to controlling input	max. amount 20 pcs
Impulse lenght	min. 25 ms / max. unlimited
Reset time	150 ms
OTHER INFORMATION	
Operating temperature	-20 ... +55 °C
Storage temperature	-30 ... +70 °C
Electrical strenght	4 kV (supply - output)
Operating position	any
Mounting	DIN rail EN 60715
Protection degree	IP 20 terminals / IP 40 from front panel
Overvoltage category	III.
Pollution degree	2
Terminal wire capacity	solid wire max. 1x 2.5 mm ² or 2x1.5 mm ² / with sleeve max. 1x2.5 mm ²
Standards	EN 60255-6, EN 61010-1

10

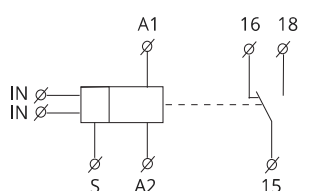
Connection diagram



Function



Symbol



Description of DIP switch

- DIP 1 - LUX
 - ON
 - 100 - 50000 lx
 - 1 - 100 lx
- DIP 2 - TEST
 - TEST ON

TECHNICAL DATA