

F18FT

miniature intermediate power relay



Fastron Electronics

- 10A Switching capability (2P type)
- 2kV dielectric strength
- 2 & 4 pole configurations
- Various terminals, test button available
- Gold plated contact available
- Sockets available
- Environmental friendly product (RoHS compliant)
- Dimensions: 28.0 × 21.3 × 35.2 mm



Technical Data

Contact Data

Contact arrangement	2P,3P	4P
Contact resistance (typical)	50mΩ (1A 24VDC)	
Contact materials	AgSnO ₂ , AgCdO ₁₂	
Contact load (resistance)	10A 250VAC/ 30VDC	5A 250VAC/ 30VDC
Max. switching voltage	250VAC/30VDC	
Max. switching current	10A	5A
Max. switching power	2500VA/ 300W	1250VA/ 150W
Mechanical endurance	1x10 ⁷	
Electrical endurance	1x10 ⁶	

Characteristics

Insulation resistance	1000MΩ (500VDC)	
Dielectric Strength	Between coil and contact	1500VAC 1Min
	Between open contacts	1000VAC 1Min
	Between contact sets	1500VAC 1Min
Operate time	25ms	
Release time	25ms	
Shock resistance	Functional	100m/s ²
	Destructive	1000m/s ²
Vibration	10~55Hz 1mm	
Humidity	98%RH, +40°C	
Ambient temperature	-40°C~+70°C	
Termination	PCB, plug-in	
Weight	37g	
Construction	Dust protected	

Coil Data

Coil power	AC: 900mW; DC: 1.2VA
------------	----------------------

DC Coil Data(23°C)

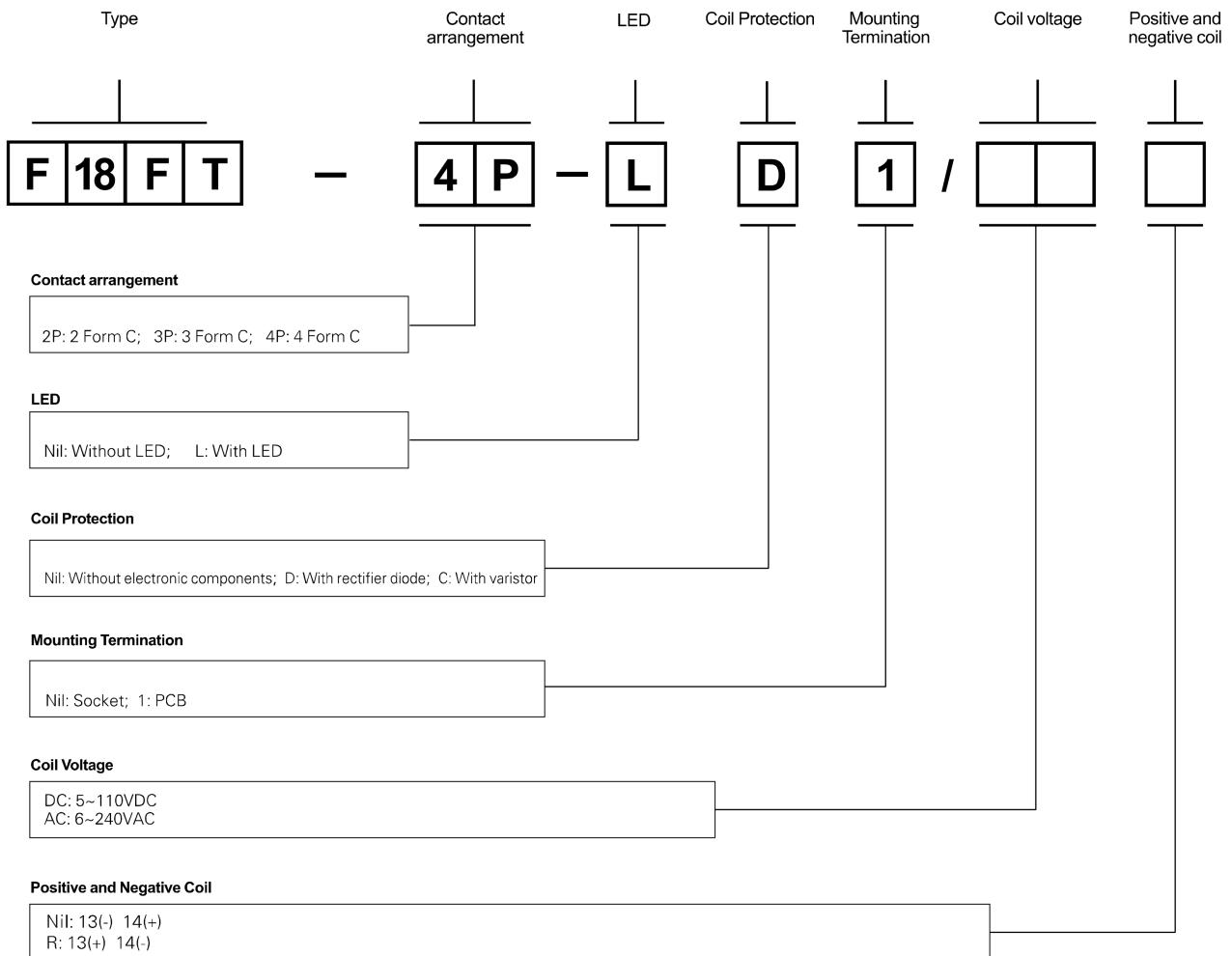
(VDC) Rated voltage	(VDC) Pick-up voltage	(VDC) Drop-out voltage	(Ω) Coil resistance
6	≤4.8	≥0.6	40±10%
12	≤9.6	≥1.2	160±10%
24	≤19.2	≥2.4	650±10%
48	≤38.4	≥4.8	2600±10%
110	≤88.0	≥11.0	11000±10%

F18FT

Coil Data(23°C)

(VAC) Rated voltage	(VAC) Pick-up voltage	(VAC) Drop-out voltage	(Ω) Coil resistance
6	≤4.80	≥1.8	12.0±10%
12	≤9.60	≥3.6	46±10%
24	≤19.20	≥7.2	180±10%
36	≤28.8	≥10.8	450±10%
48	≤38.4	≥14.4	780±10%
100/110	≤80.0	≥30.0	3750±10%
200/220	≤160.0	≥60.0	12950±10%
220/240	≤176.0	≥66.0	18790±10%

Ordering Information

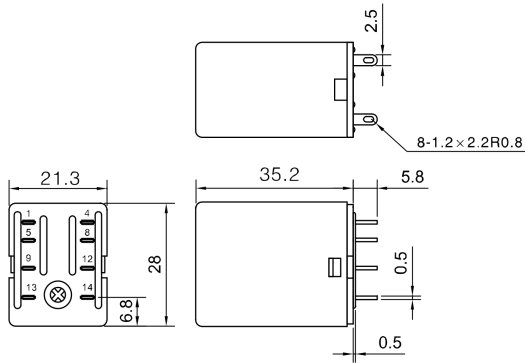


F18FT

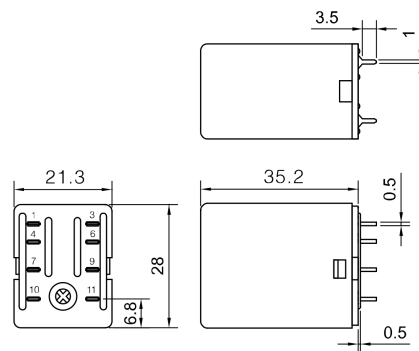
miniature intermediate power relay

Dimensions

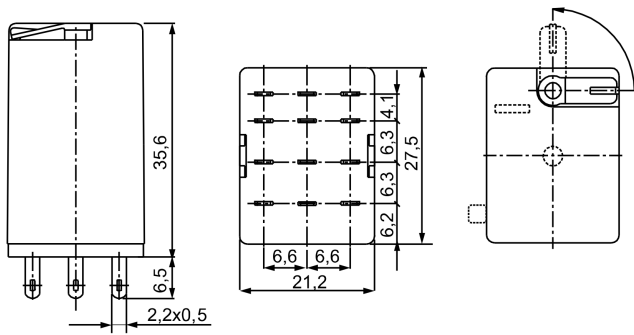
18FT-2P



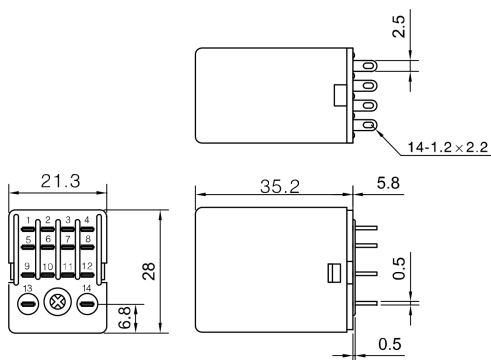
18FT-2P1



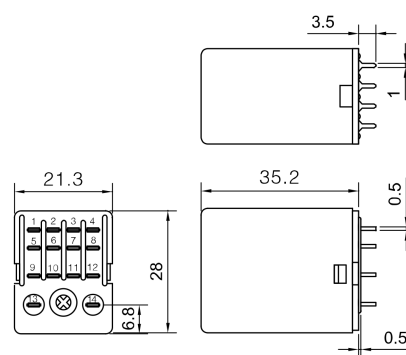
18FT-3P



18FT-4P



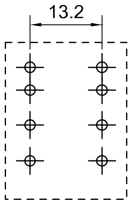
18FT-4P1



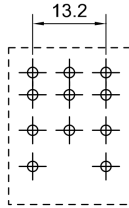
F18FT

PCB Layout (Bottom view)

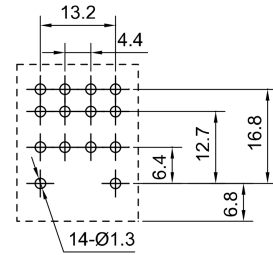
2 Form C



3 Form C

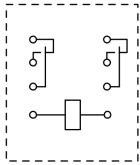


4 Form C

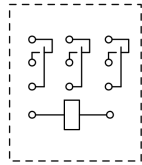


接线图(底视图) Wiring Diagram(Bottom view)

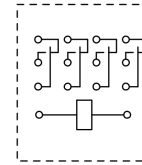
2 Form C



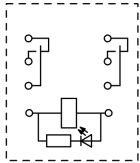
3 Form C



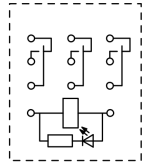
4 Form C



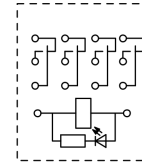
2 Form C(With LED)



3 Form C(With LED)



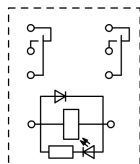
4 Form C(With LED)



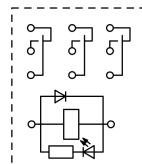
Remark: For AC parts with diode, the positive and negative pole markings on wiring diagram are not applicable.

PCB Layout (Bottom view)

2 Form C(DC, With fly-wheel diode)



3 Form C(DC, With fly-wheel diode)



4 Form C(DC, With fly-wheel diode)

