

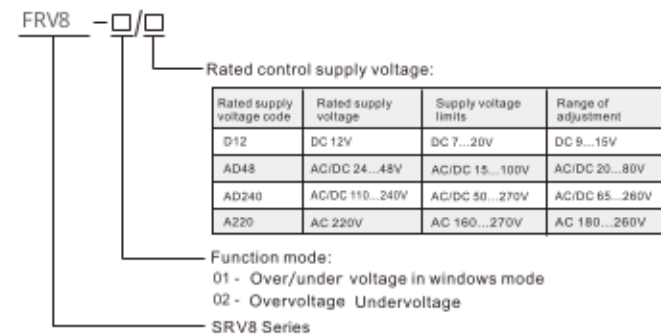
Monitoring voltage relay



Fastron
 Electronics

General

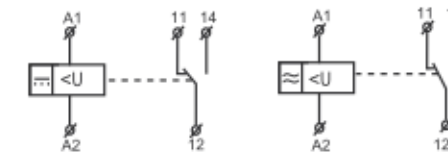
- Applications
 - Protect electrical equipment and motors from over-voltage and under-voltage.
 - Normal/emergency power supply switching.
- Function Features
 - Controls its own supply voltage (True RMS measurement)
 - User may select operation mode through knob.
 - Voltage measurement accuracy < 1%.
 - Relay status is indicated by LED.
 - 1-MODULE, DIN rail mounting.
- Model and connotation



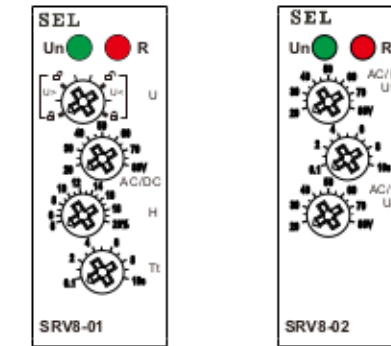
Technical parameters

Technical parameters	FRV8-01	FRV8-02
Function	Monitoring voltage	
Supply terminals	A1-A2	
Rated supply voltage	DC12V, AC/DC24V-48V, AC/DC110V-240V, AC220V	
Rated supply frequency	45Hz-65Hz, 0	
Hysteresis	5%-20%	3% fixed
Supply indication	green LED	
Time delay	Adjustable 0.1s-10s, 10%	
Measurement error	≤ 1%	
Run up delay at power up	0.5s time delay	
Konb setting accuracy	1% of scale value	
Reset time	1000ms	
Temperature coecient	0.05%/°C, at=20°C (0.05%°F, at=68°F)	
Output	1 × SPDT	
Current rating	10A / AC1	
Switching voltage	250VAC/24VDC	
Min. breaking capacity DC	500mW	
Output indication	red LED	
Mechanical life	1 × 10 ⁷	
Electrical life (AC 1)	1 × 10 ⁶	
Operating temperature	-20°C to +55°C (-4°F to 131°F)	
Storage temperature	-35°C to +75°C (-22°F to 158°F)	
Mounting/DIN rail	Din rail EN/IEC 60715	
Protection degree	IP40 for front panel/ IP20 terminals	
Operating position	any	
Overvoltage category	III.	
Pollution degree	2	
Max. cable size (mm ²)	solid wire max. 1 × 2.5 or 2 × 1.5 / with sleeve max. 1 × 2.5 (AWG 12)	
Dimensions	90 × 18 × 64mm	
Weight	59g	
Standards	IEC/EN 60255-1, IEC/EN 61010-1	

Wiring Diagram

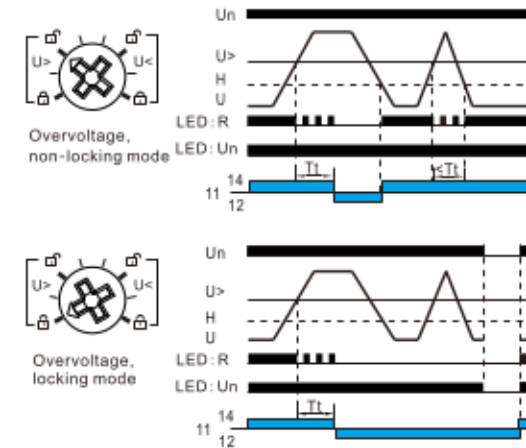


Panel Diagram

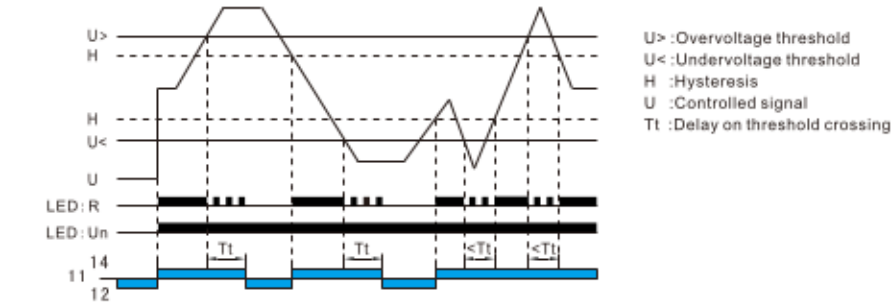


Functions Diagram

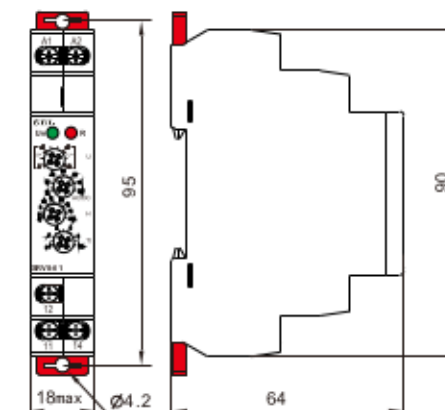
SRV8 - 01



SRV8 - 02



Dimensions (mm)



Fastron
 Electronics

9B Lakewood Blvd
 Braeside VIC 3195 Australia

- Power Semiconductors
- Electrical Measurement
- Process Control

Web: www.fastron.com.au
 Email: sales@fastron.com.au
 Telephone: + 61 - 3 - 97635155
 Facsimile: + 61 - 3 - 97635206