

1-stage filter for 3-phase systems with neutral conductor



See below:

**Approvals and Compliances**

**Description**

- Line filter as standard, industrial and medical version
- 1 stage
- filter with standard or high attenuation

**Unique Selling Proposition**

- Compact single-stage filter
- Various filter variants
- Light weight design
- Wide temperature range

**Applications**

- Voltage rating 520 VAC for world wide acceptance
- For low power 3 phase energy inverter such as photovoltaic or battery storage systems
- Suitable for use in equipment according to IEC/UL 60950

**Weblinks**

[pdf data sheet](#), [html datasheet](#), [General Product Information](#), [Distributor-Stock-Check](#), [Detailed request for product](#), [Microsite](#)

**Technical Data**

Rated Current	3 - 20A
Rated voltage	300/520 VAC, 50/60 Hz
Approval for	3 - 20A @ 50 °C / 300/520 VAC; 50/60Hz
Overload Current	1.5 x Ir for 1 minute, per hour
Dielectric Strength	> 2.25 kVDC between L-L > 1.3 kVDC between L-N 2.75 kVDC between L-PE Test voltage 2 sec
Number of Filter Stages	1-stage
Weight	0.2
Material: Housing	Metal
Sealing Compound	UL 94V-0

Mounting	Screw-on mounting on chassis
Terminal	Screw clamps
Operating Temperature	-40°C to 100°C
Climatic Category	40/100/21 acc. to IEC 60068-1
Degree of Protection	IP20 acc. to IEC 60529
Protection Class	Suitable for appliances with protection class I acc. to IEC 61140
MTBF	> 200'000h acc. to MIL-HB-217 F

**Approvals and Compliances**

Detailed information on product approvals, code requirements, usage instructions and detailed test conditions can be looked up in [Details about Approvals](#)

SCHURTER products are designed for use in industrial environments. They have approvals from independent testing bodies according to national and international standards. Products with specific characteristics and requirements such as required in the automotive sector according to IATF 16949, medical technology according to ISO 13485 or in the aerospace industry can be offered exclusively with customer-specific, individual agreements by SCHURTER.

**Approvals**

The approval mark is used by the testing authorities to certify compliance with the safety requirements placed on electronic products.

Approval Reference Type: FMAD CP

Approval Logo	Certificates	Certification Body	Description
	<a href="#">VDE Approvals</a>	VDE	Certificate Number: 40050745
	<a href="#">UL Approvals</a>	UL	UL File Number: E495089


**Product standards**

Product standards that are referenced

Organization	Design	Standard	Description
	Designed according to	IEC 60939	Passive filters for suppressing electromagnetic interference
	Designed according to	UL 60939-3	Electromagnetic interference filters





**Application standards**

Application standards where the product can be used

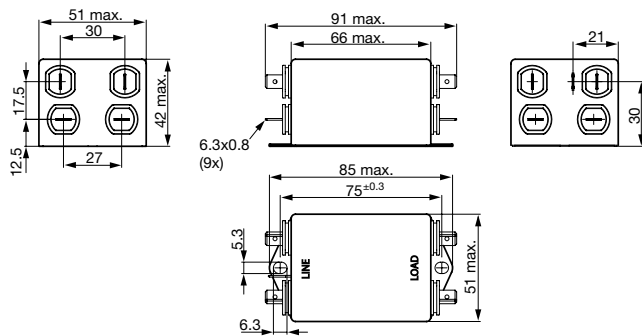
Organization	Design	Standard	Description
	Designed for applications acc.	IEC/UL 60950	IEC 60950-1 includes the basic requirements for the safety of information technology equipment.

**Compliances**

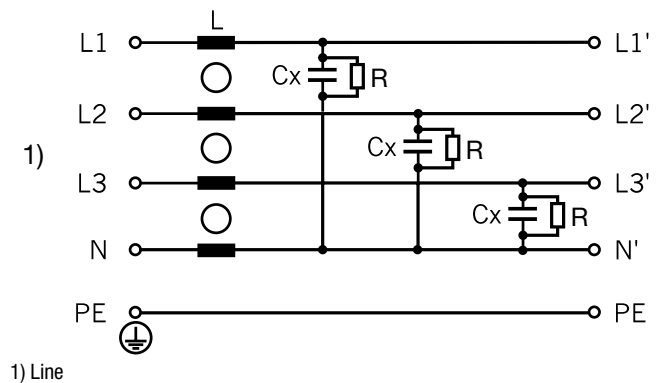
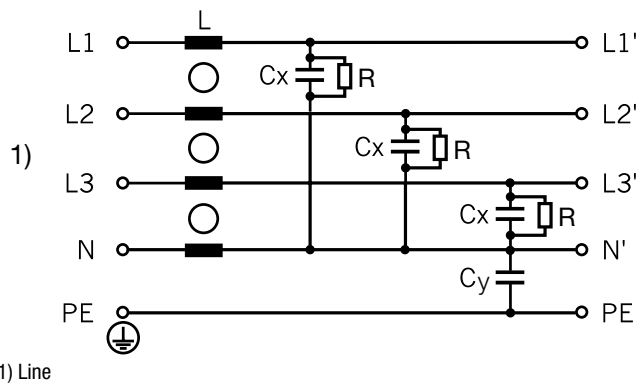
The product complies with following Guide Lines

Identification	Details	Initiator	Description
	<a href="#">CE declaration of conformity</a>	SCHURTER AG	The CE marking declares that the product complies with the applicable requirements laid down in the harmonisation of Community legislation on its affixing in accordance with EU Regulation 765/2008.
	RoHS	SCHURTER AG	Directive RoHS 2011/65/EU, Amendment (EU) 2015/863
	China RoHS	SCHURTER AG	The law SJ / T 11363-2006 (China RoHS) has been in force since 1 March 2007. It is similar to the EU directive RoHS.
	REACH	SCHURTER AG	On 1 June 2007, Regulation (EC) No 1907/2006 on the Registration, Evaluation, Authorization and Restriction of Chemicals 1 (abbreviated as "REACH") entered into force.

**Dimension [mm]**



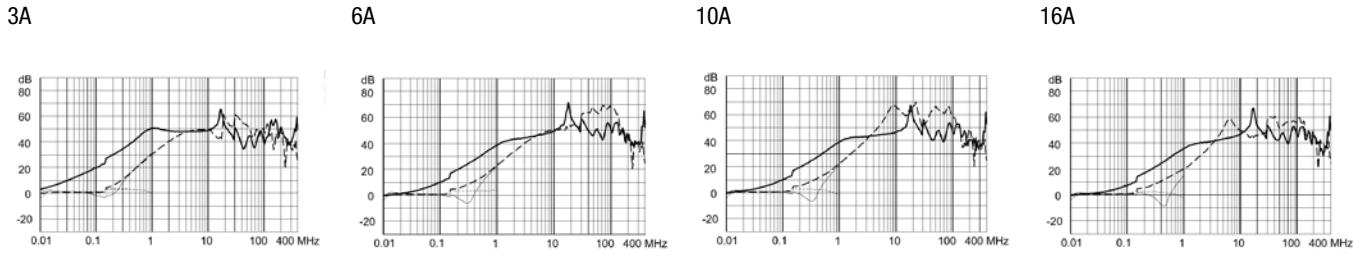
**Diagrams**



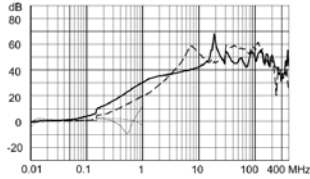
**Attenuation Loss**

--- 50Ω differential mode    \_\_\_\_ 50Ω common mode

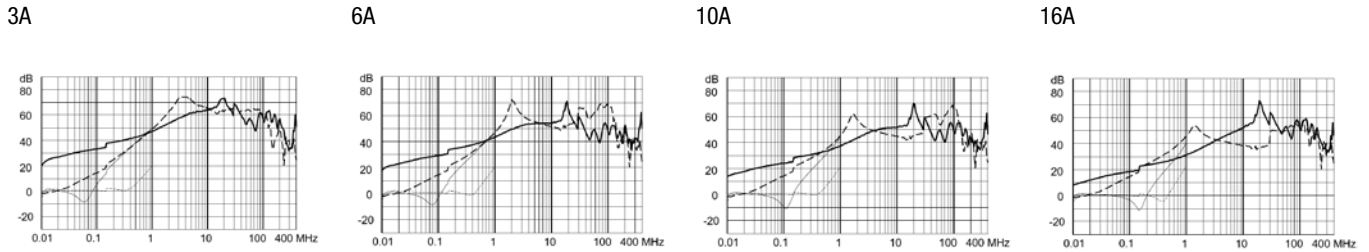
Standard version



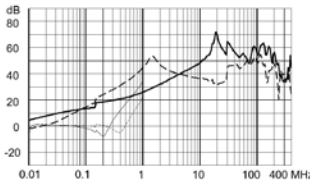
20A



Standard HP



20A



**All Variants**

Rated Current @ Ta 50°C [A]	Filter Type	Tripped Power Dissipation [W]	Contact Resi- stance [mΩ]	Leakage Current [mA] @ 440V, 60Hz 1)	Order Number
10	Standard version	2.8	6.9	0.5	<a href="#">3-110-815</a>
16	Standard version	3.6	3.5	0.5	<a href="#">3-111-514</a>
20	Standard version	3.5	2.2	0.5	<a href="#">3-110-816</a>
3	Standard version	2.8	78.9	0.5	<a href="#">3-110-813</a>
6	Standard version	1.9	13	0.5	<a href="#">3-110-814</a>
10	Standard version HP	2.5	6.2	0.5	<a href="#">3-110-837</a>
16	Standard version HP	2.8	2.7	0.5	<a href="#">3-111-517</a>
20	Standard version HP	2.5	1.5	0.5	<a href="#">3-110-838</a>
3	Standard version HP	2.3	63.6	0.5	<a href="#">3-110-835</a>
6	Standard version HP	2.2	15.3	0.5	<a href="#">3-110-836</a>
10	Industrial version	2.8	6.9	3	<a href="#">3-110-833</a>
16	Industrial version	3.6	3.5	3	<a href="#">3-111-516</a>
20	Industrial version	3.5	2.2	3	<a href="#">3-110-834</a>
3	Industrial version	2.8	78.9	3	<a href="#">3-110-821</a>
6	Industrial version	1.9	13	3	<a href="#">3-110-832</a>
10	Industrial version HP	2.5	6.2	3	<a href="#">3-110-845</a>

Rated Current @ Ta 50°C [A]	Filter Type	Tripped Power Dissipation [W]	Contact Resi- stance [mΩ]	Leakage Current [mA] @ 440V, 60Hz 1)	Order Number
16	Industrial version HP	2.8	2.7	3	3-111-519
20	Industrial version HP	2.5	1.5	3	3-110-846
3	Industrial version HP	2.3	63.6	3	3-110-843
6	Industrial version HP	2.2	15.3	3	3-110-844
10	Medical Version (M5)	2.8	6.9	0.005	3-110-819
16	Medical Version (M5)	3.6	3.5	0.005	3-111-515
20	Medical Version (M5)	3.5	2.2	0.005	3-110-820
3	Medical Version (M5)	2.8	78.9	0.005	3-110-817
6	Medical Version (M5)	1.9	13	0.005	3-110-818
10	Medical Version (M5) HP	2.5	6.2	0.005	3-110-841
16	Medical Version (M5) HP	2.8	2.7	0.005	3-111-518
20	Medical Version (M5) HP	2.5	1.5	0.005	3-110-842
3	Medical Version (M5) HP	2.3	63.6	0.005	3-110-839
6	Medical Version (M5) HP	2.2	15.3	0.005	3-110-840

Availability for all products can be searched real-time: <https://www.schurter.com/en/Stock-Check/Stock-Check-SCHURTER>

**Packaging unit** 10 Pcs