

Hour meter

HK 46



Highlights

- price competitive meter
- excellent quality
- long lifetime
- different bezels for different cut-outs
- many mounting versions
- all necessary approvals
- your branding available

Applications

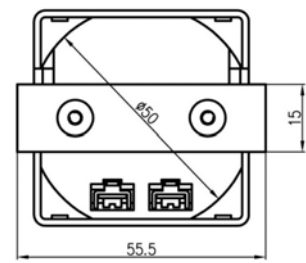
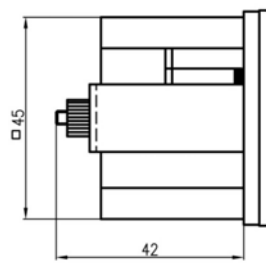
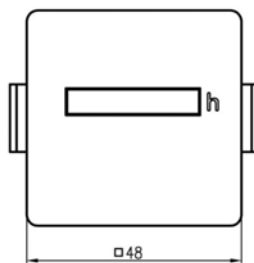
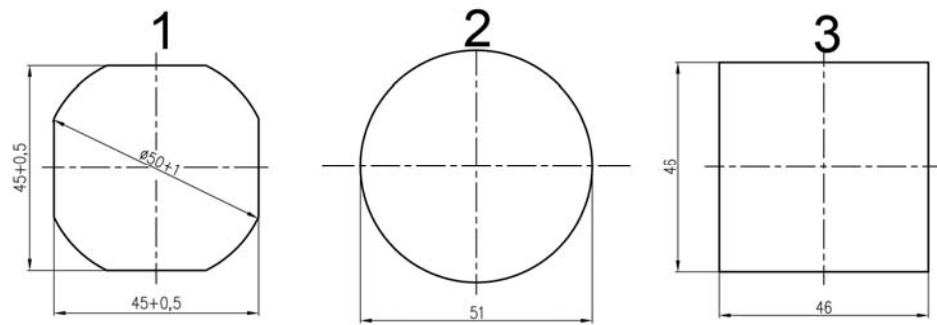
- gen-sets
- compressors
- pumps
- medical equipment
- control panels
- air conditioning

Mechanical data		Electrical data	
Front dimension:	48 x 48 mm	Operating voltage	24, 48, 60, 110, 120, 220, 230, 240, 400 VAC ± 10%, 50 or 60 Hz
Display	AC: 5 integers, 2 decimals DC: 6 integers, 1 decimal AC indicator, without reset	Current consumption	6-30, 10-80, 110, 220 VDC ± 10% AC: max. 8 mA DC: max. 9 mA
Digit height	4 mm	Accuracy	AC: ± 0,02 % DC: ± 0,002 %
Digit color	integer: white on black decimal: 50 Hz – red on black 60 Hz – red on white	Connection	flat pin 6,3x0,8 with screw flat pin 6,3x0,8 screw terminal
Counting range	AC: 99999,99 h, DC: 999999,9 h	Ambient conditions	
Reading accuracy	AC: 1/100 h (36 sec) DC: 1/10 h (6 min)	Operating temperature	AC: -25° C .. +80° C DC: -20° C .. +70° C
Weight	ca. 50 g	Storage temperature	AC: -40° C .. +80° C DC: -20° C .. +70° C
Housing color	standard black	Relative humidity	max. 80% at +25° C
Bezels	52x52 55x55 72x72 and Ø80 mm	Protection	IP40 front IP65 front (on request) IP20 terminals
Mounting options	A - aluminum clamp C - anti-vibration boot & clamp D - DIN rail F - snap fastener G - retainer	Approvals	CE Mark UL E171200 RoHS compliant

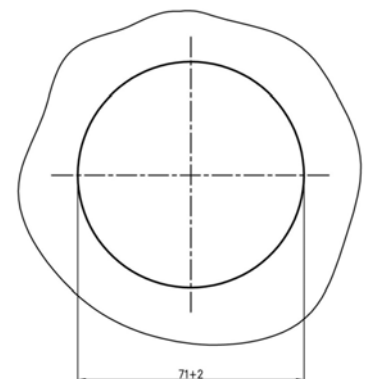
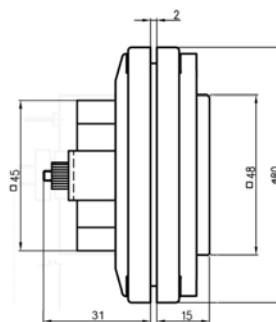
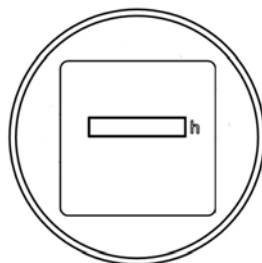
Ordering						
HK 46 . x x / x x x / x x						
Mounting	Front dimension	Front protection	Connection	Package	Voltage (specify)	Frequency
A - aluminum clamp C - anti-vibration boot & clamp D - DIN rail F - snap fastener G - retainer	1 – 48x48 mm 2 – 55x55 mm 3 – 72x72 mm 5 – 52x52 mm 6 – Ø80 mm	1 – IP40 3 – IP65	1 – flat pin 6,3x0,8 with screw 2 – flat pin 6,3x0,8 3 – screw terminal	P – single S – group	24, 48, 60, 110, 120, 220, 230, 240, 400 VAC 6-30, 10-80, 110, 220 VDC	50 Hz 60 Hz

Hour meter

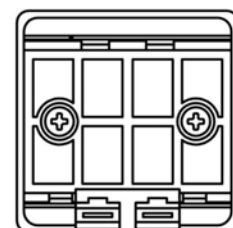
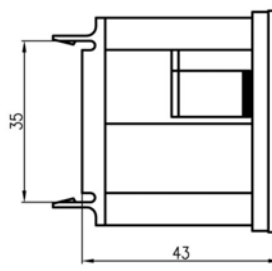
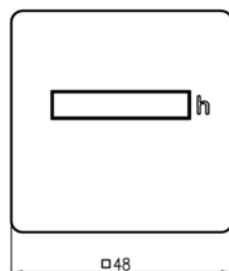
HK 46 Panel cut-outs



HK 46 – mounting A (panel cut-out 1 and 3)

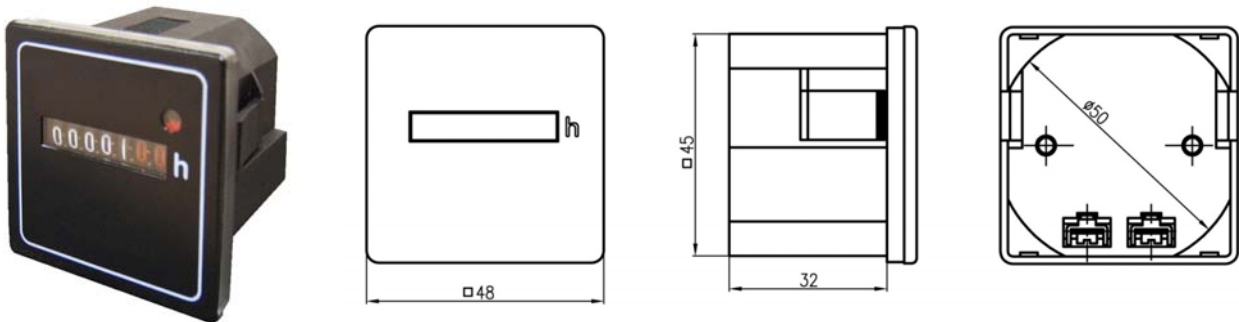


HK 46 – mounting C (panel cut-out $\varnothing 71 \pm 2$ mm)

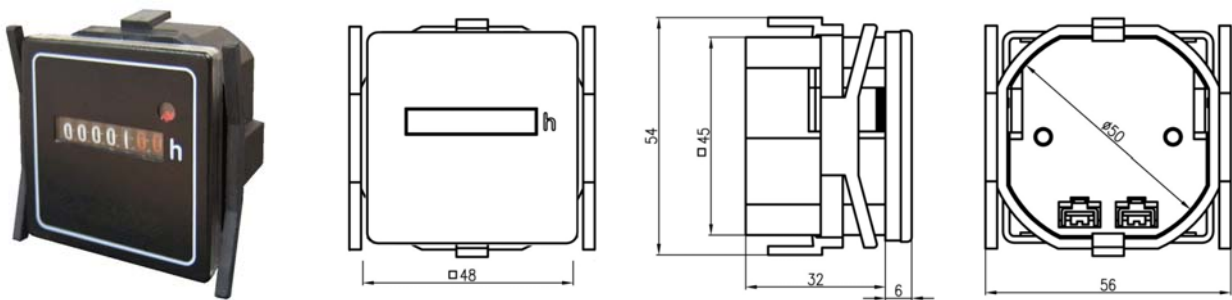


HK 46 – mounting D

Hour meter



HK 46 – mounting F (panel cut-out 1 and 3)



HK 46 – mounting G (panel cut-out 1 and 3)

