

Hour meter

HK 47


Highlights

- price competitive meter
- excellent quality
- long lifetime
- all necessary approvals
- your branding available

Applications

- garden equipment
- farm equipment
- utility vehicles
- marine

Mechanical data

Front dimension: Ø 58 mm

 Display AC: 5 integers, 2 decimals
 DC: 6 integers, 1 decimal
 AC indicator, without reset

Digit height 4 mm

 Digit color integer: white on black
 decimal: 50 Hz – red on black
 60 Hz – red on white

Counting range AC: 99999,99 h, DC: 999999,9 h

 Reading accuracy AC: 1/100 h (36 sec)
 DC: 1/10 h (6 min)

Weight ca. 52 g

Housing color standard black

 Bezels Ø 72 mm (for mtg. H)
 Ø 80 mm (for mtg. C)

 Mounting options A – aluminum clamp
 C – anti-vibration boot & clamp Ø80 mm
 H – 3-screw front mount Ø72 mm

Electrical data

 Operating voltage 24, 48, 60, 110, 120, 220, 230, 240,
 400 VAC ± 10%, 50 or 60 Hz

 Current consumption 6-30, 10-80, 110, 220 VDC ± 10%
 AC: max. 8 mA
 DC: max. 9 mA

 Accuracy AC: ± 0,02 %
 DC: ± 0,002 %

 Connection flat pin 6,3x0,8 with screw
 flat pin 6,3x0,8

Ambient conditions

 Operating temperature AC: -25° C .. +80° C
 DC: -20° C .. +70° C

 Storage temperature AC: -40° C .. +80° C
 DC: -20° C .. +70° C

Relative humidity max. 80% at +25° C

 Protection IP65 front
 IP00 terminals

 Approvals CE Mark
 UL E171200

RoHS compliant

Ordering

HK 47 . x x / x x x / x x

Mounting

 A – aluminum clamp
 C – anti-vibration boot & clamp
 Ø80 mm
 H – 3-screw front mount
 Ø72 mm

Front dimension

 4 – Ø 58 mm
 5 – Ø 72 mm
 6 – Ø 80 mm

Front protection

 3 – IP65
 4 – IP67

Connection

 1 – flat pin 6,3x0,8
 with screw
 2 – flat pin 6,3x0,8

Package

 P – single
 S – group

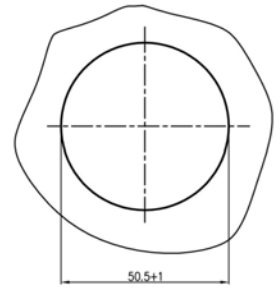
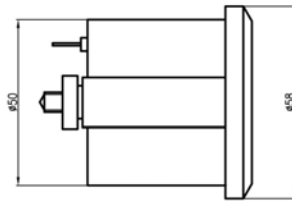
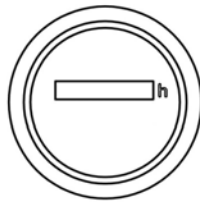
Voltage (specify)

 24, 48, 60, 110, 120,
 220, 230, 240, 400 VAC
 6-30, 10-80, 110, 220
 VDC

Frequency

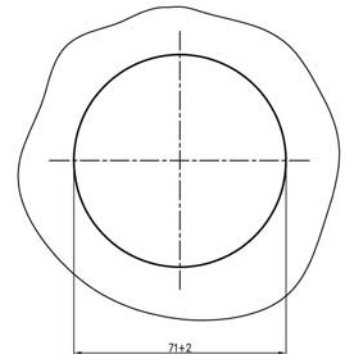
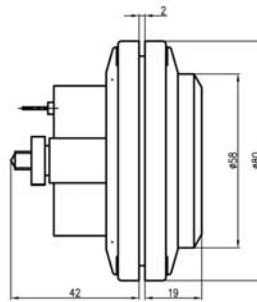
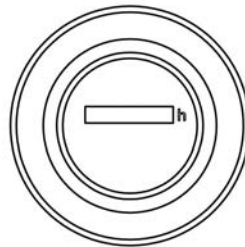
 50 Hz
 60 Hz

Hour meter



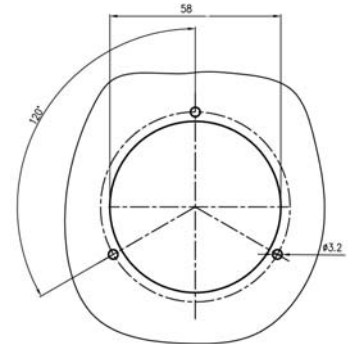
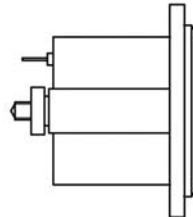
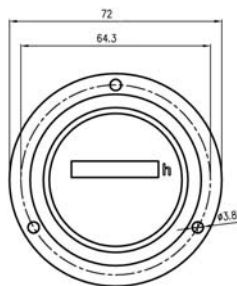
HK 47 – mounting A

Panel cut-out



HK 47 – mounting C

Panel cut-out



HK 47 – mounting H

Panel cut-out

