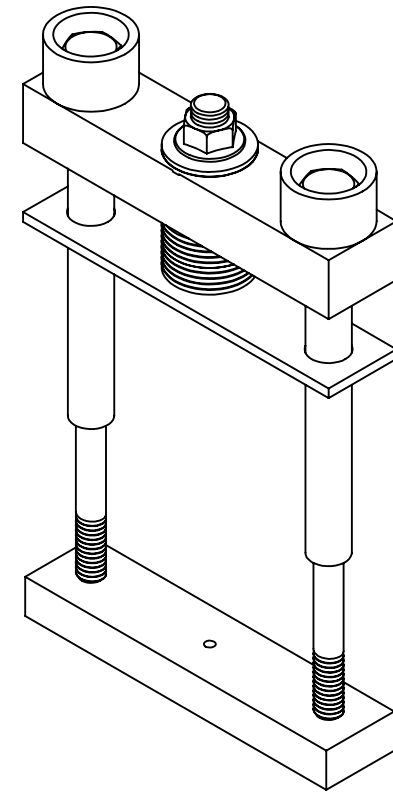
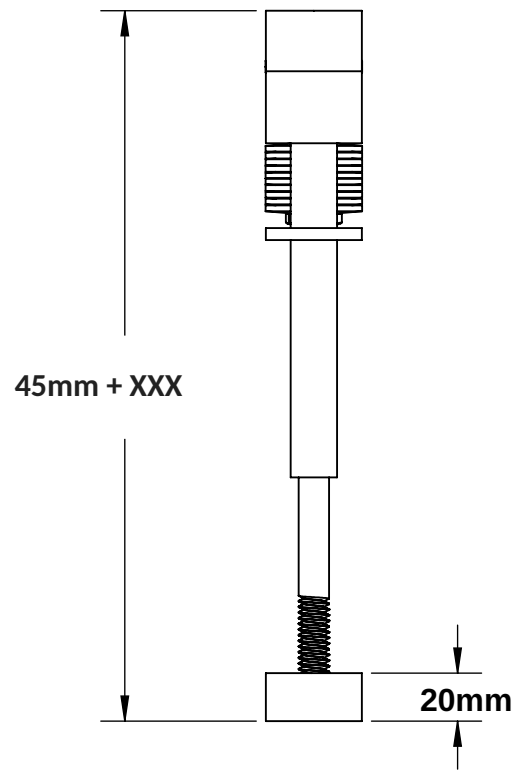
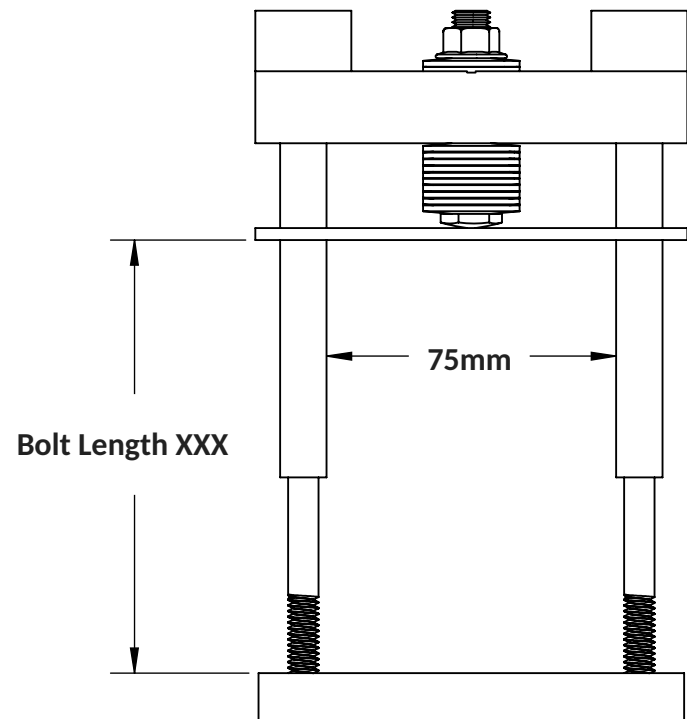
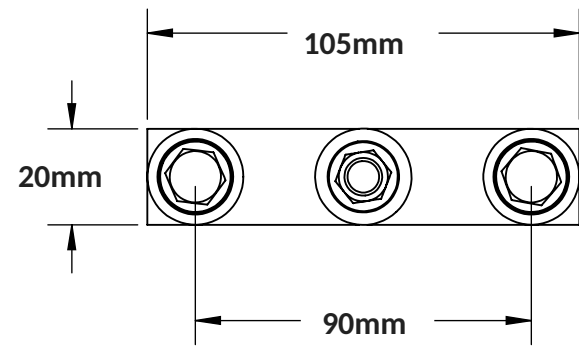
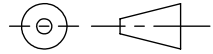



REVISIONS		
REV.	DESCRIPTION	DATE
0	INITIAL RELEASE	23/07/2015



Standard Polymer Insulators 50mm long, custom paper/glass Insulators available on request

THE INFORMATION CONTAINED IN THIS DRAWING IS THE SOLE PROPERTY OF IXYS LONG BEACH. ANY REPRODUCTION IN PART OR AS A WHOLE WITHOUT THE WRITTEN PERMISSION IS PROHIBITED.

DESCRIPTION 25KN CLAMP	DRAWN <b>D Rehe</b>	CHECKED AT	GENERAL TOLERANCES U.O.S LINEAR: MACHINING ± 0.01" (0.25mm) FABRICATION ± 0.04" (1.0mm) ANGULAR: MACHINING ± 0.25° FABRICATION ± 0.5°	MATERIAL	THIRD ANGLE PROJECTION  ALL DIMENSIONS ARE IN INCH (MILLIMETER) U.O.S. SURFACE TEXTURE (Rg) IN MICROMETERS	
PART NUMBER LG25/XXX	REVISION 0	DATE LAST SAVED 2/5/2019		FINISH		
				SCALE: 1:2		