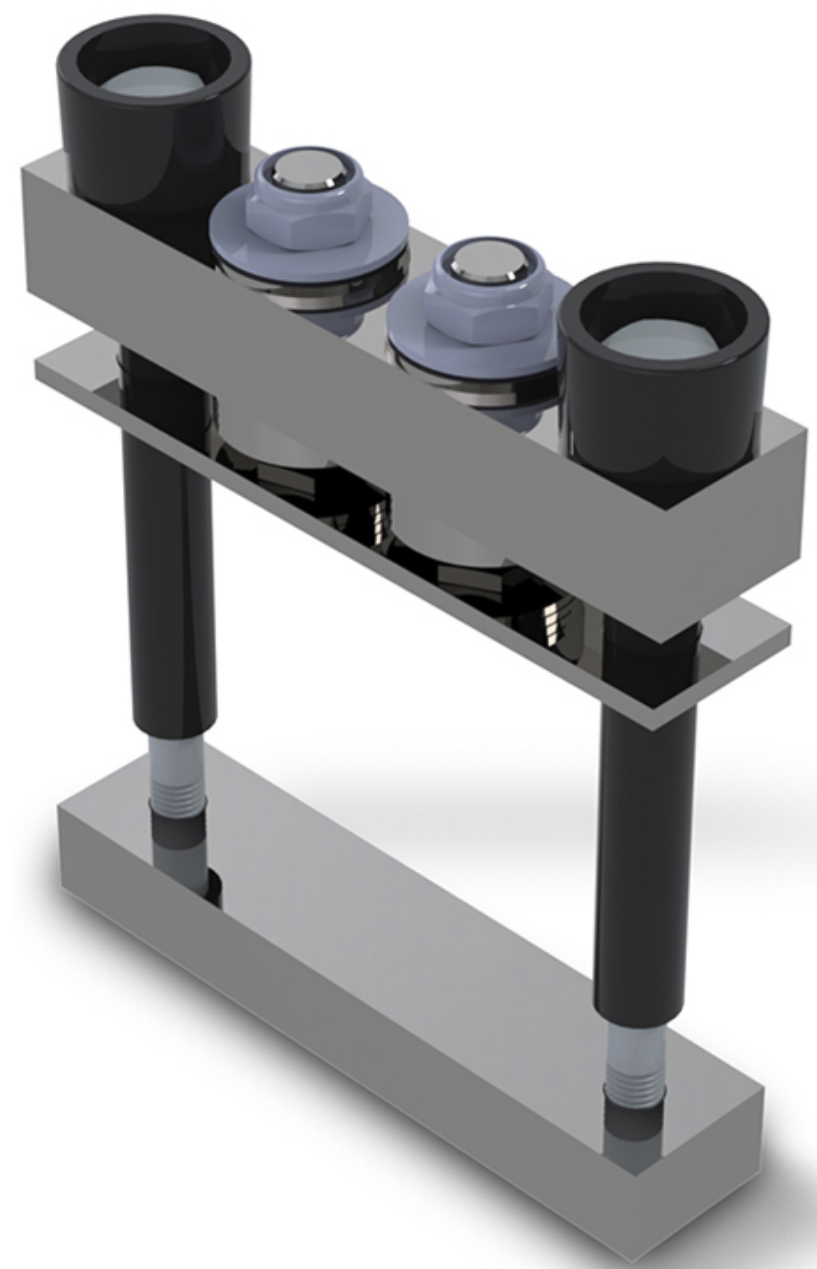
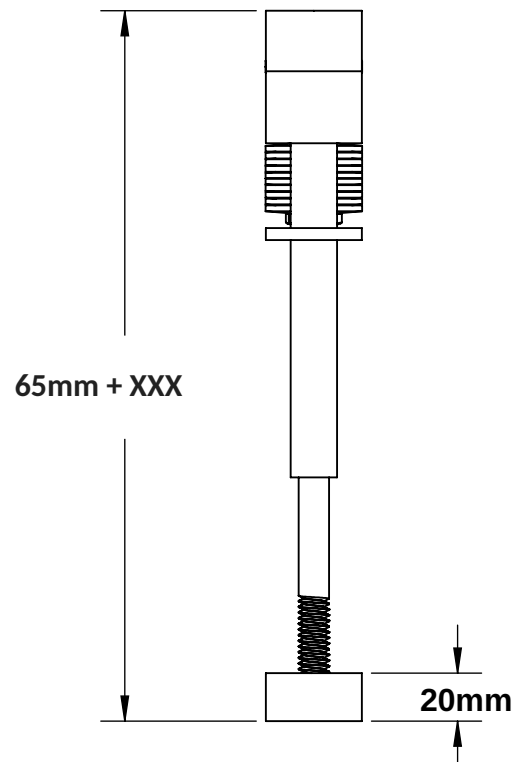
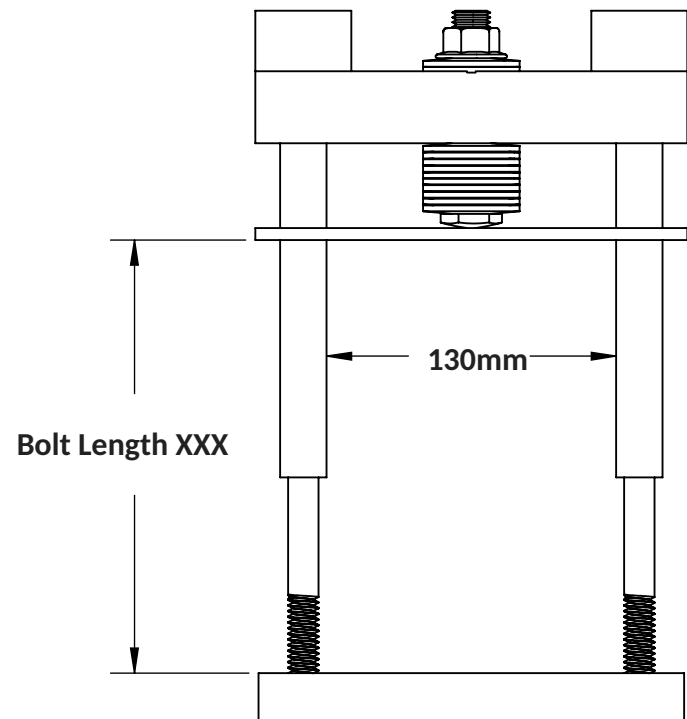
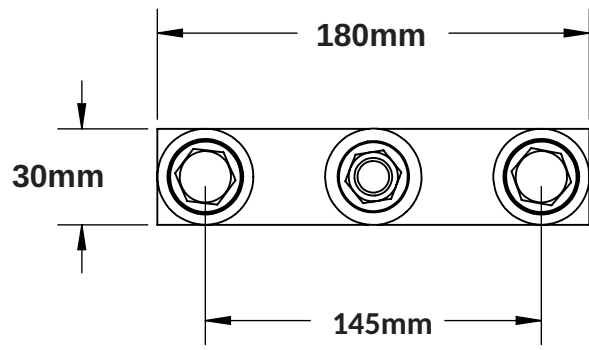


REVISIONS		
REV.	DESCRIPTION	DATE
0	INITIAL RELEASE	23/07/2015



Standard Polymer Insulators 50mm long, custom paper/glass Insulators available on request

THE INFORMATION CONTAINED IN THIS DRAWING IS THE SOLE PROPERTY OF IXYS LONG BEACH. ANY REPRODUCTION IN PART OR AS A WHOLE WITHOUT THE WRITTEN PERMISSION IS PROHIBITED.

DESCRIPTION 100KN CLAMP	DRAWN D Rehe	CHECKED AT
PART NUMBER MHD100/XXX	REVISION 0	DATE LAST SAVED 2/5/2019

GENERAL TOLERANCES U.O.S LINEAR: MACHINING ± 0.01" (0.25mm) FABRICATION ± 0.04" (1.0mm) ANGULAR: MACHINING ± 0.25° FABRICATION ± 0.5°

MATERIAL
FINISH
SCALE: 1:2

THIRD ANGLE PROJECTION
ALL DIMENSIONS ARE IN INCH (MILLIMETER) U.O.S. SURFACE TEXTURE (R _a) IN MICROMETERS

--

--