

FEATURES

- > Compact design saves precious space while isolating 50kV
- > Jam nut mounting means quick installation
- > Mounting options in any axis
- > Convenient HV wire leads available in different lengths



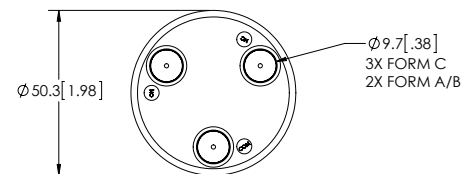
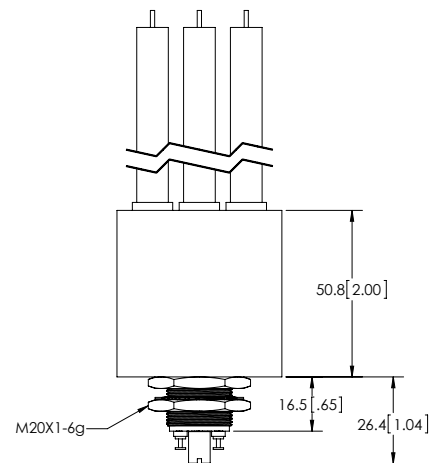
PRODUCT SPECIFICATIONS

| Contact & Relay Ratings | Units | G64A |
|---|---------|----------------------|
| Contact Form | | A |
| Contact Arrangement | | SPST-NO |
| Contact Material (moveable/stationary) | | molybdenum /tungsten |
| Dielectric | | Inert Gas |
| Voltage, Test Max., Contacts & to Base (15 µA Leakage Max.) dc or 60Hz | kV Peak | 55 |
| Voltage, Operating Max., Contacts & to Base (15 µA Leakage Max.) dc or 60 Hz | kV Peak | 50 |
| Current, Load Switching | | Contact factory* |
| Current, Continuous Carry Max dc or 60 Hz | Amps | 10 |
| Coil Hi-Pot (V RMS, 60 Hz) | V | 500 |
| Resistance, Contact Max @ 1A, 28 Vdc | ohms | 1.0 |
| Operate Time | ms | 15 |
| Release Time | ms | 15 |
| Life, Mechanical | cycles | 1 million |
| Weight, Nominal | g (oz) | 336 (12) |
| Vibration, Operating, Sine (55-500 Hz Peak) | G's | 10 |
| Shock, Operating, 1/2 Sine 11ms (Peak) | G's | 10 |
| Temperature Ambient Operating | °C | -55 to +85 |

*Consult factory for load switching applications.

COIL RATINGS

| Nominal, Volts dc | 12 | 26.5 | 115 |
|-----------------------------|--------|--------|--------|
| Pick-up, Volts dc, Max. | 9 | 18 | 90 |
| Drop-Out, Volts dc | .5 - 5 | 1 - 10 | 5 - 55 |
| Coil Resistance (Ohms ±10%) | 18 | 75 | 1300 |



PART NUMBER SYSTEM

| G64A | 7 | 4 | 1 |
|---------------------------------|--|---|--------------|
| Coil Voltage | 7 = 12 Vdc, Turret Terminal 8 = 26.5 Vdc, Turret Terminal 9 = 115 Vdc, Turret Terminal | | |
| High Voltage Connections | | 4 = Flying Leads, 12" 7 = Flying Leads, 72" 8 = Flying Leads, 36" | |
| Mounting | | | 1 = Threaded |

Ratings listed are for 25°C, sea level conditions