

### FEATURES

- > Compact design saves precious space while isolating 50kV
- > Sane elements include HV wire leads
- > Mounting options in any axis
- > Easily mounts to a panel with supplied hardware



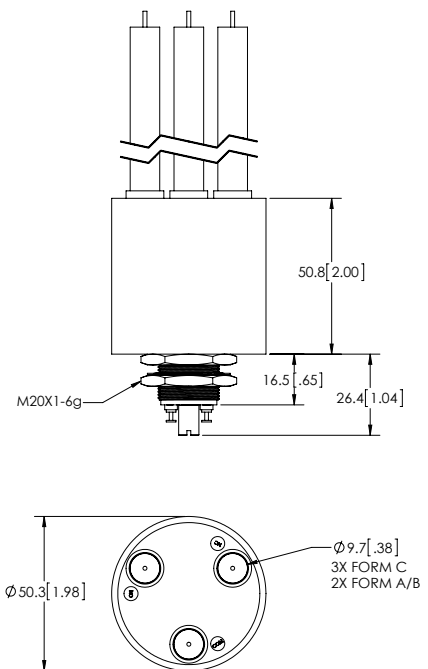
### PRODUCT SPECIFICATIONS

Contact & Relay Ratings	Units	G64C
Contact Form		C
Contact Arrangement		SPDT
Contact Material (moveable/stationary)		molybdenum /tungsten
Dielectric		Inert Gas
Voltage, Test Max., Contacts & to Base (15 µA Leakage Max.) dc or 60Hz	kV Peak	55
Voltage, Operating Max., Contacts & to Base (15 µA Leakage Max.) dc or 60 Hz	kV Peak	50
Current, Load Switching		Contact factory*
Current, Continuous Carry Max dc or 60 Hz	Amps	10
Coil Hi-Pot (V RMS, 60 Hz)	V	500
Resistance, Contact Max @ 1A, 28 Vdc	ohms	1.0
Operate Time	ms	15
Release Time	ms	15
Life, Mechanical	cycles	1 million
Weight, Nominal	g (oz)	336 (12)
Vibration, Operating, Sine (55-500 Hz Peak)	G's	10
Shock, Operating, 1/2 Sine 11ms (Peak)	G's	10
Temperature Ambient Operating	°C	-55 to +85

\*Consult factory for load switching applications.

### COIL RATINGS

Nominal, Volts dc	12	26.5	115
Pick-up, Volts dc, Max.	9	18	90
Drop-Out, Volts dc	.5 - 5	1 - 10	5 - 55
Coil Resistance (Ohms ±10%)	18	75	1300



### PART NUMBER SYSTEM

G64C	7	4	1
Coil Voltage	7 = 12 Vdc, Turret Terminal 8 = 26.5 Vdc, Turret Terminal 9 = 115 Vdc, Turret Terminal		
High Voltage Connections		4 = Flying Leads, 12" 7 = Flying Leads, 72" 8 = Flying Leads, 36"	
Mounting			1 = Threaded

Ratings listed are for 25°C, sea level conditions