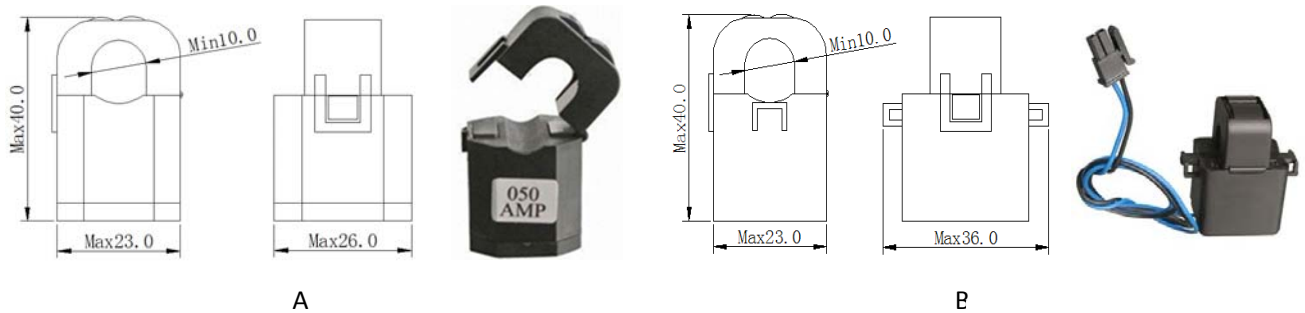


SCT-F10 split core current transformer

datasheet :

1. rated V: 0.66KV
 2. insulation V: 2KV
 3. rated H: 50HZ or 60HZ;
 4. environment temperature: -15°C~+40°C
 5. Flame retardant properties: UL94-V0
 6. certification : CE, UL, ETL.
- size (unit: mm) :



parameters :

Model	Input (A)	MAX (A)	Output
SCT0010(A) - Standard Type	0.2-20	22	Custom:0.20mV
SCT0010(B)			

performance curve :

