

BATTER SWITCH

POWER BATTER SWITCH:

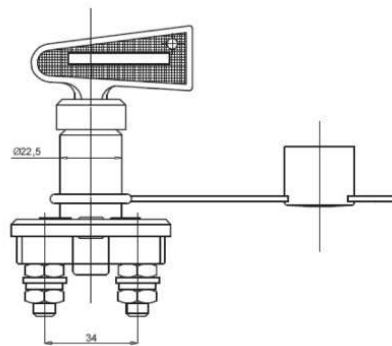
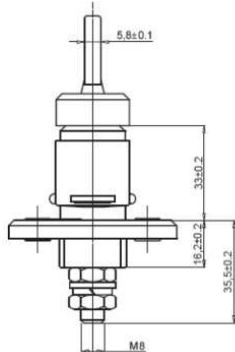
SPECIFICATION :

Rating:500A 24V 5Sec.

Insulation Resistance:Over 100MΩ at 500VDC.

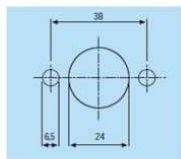
Dielectric Strength:2000V AC 1 minute. Body material:PA66.94V-0

Protection degree:IP44



SCHEMA FORATURA PER FISSAGGIO

HOLES FOR FIXATION
BOHRUNGEN FÜR BEFESTIGUNG
TROUS POUR FIXTION



SCHEMA ELETRICO

WIRING DIAGRAM
SCHALTSCHEMA

