

CRJ-31 Adaptor

Plug-in Wire to RJ12 Output

frees your hand from traditional installation methods

Feature

- Mini in size
- Lockable Plug-in Pins design
- RJ12 output
- Reliable, easy, fast and free-error wiring



Introduction

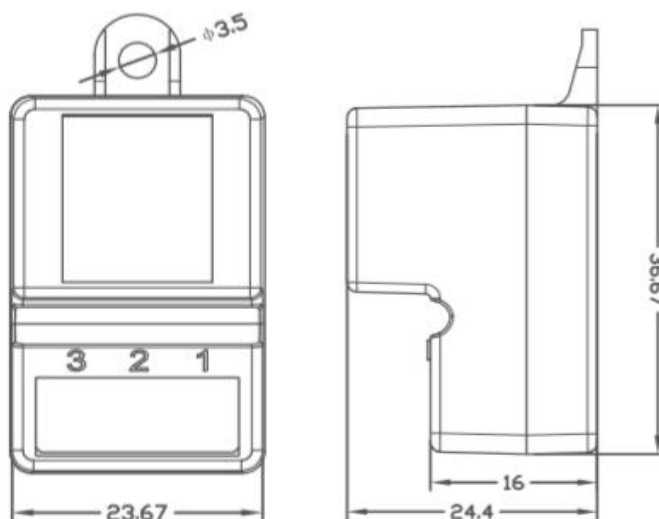
CRJ-31 Adaptor is a new new generation connector designed by EASTRON. It is one part of Easy-click solution. The product allows you to easily make the plug-in wiring sensors with RJ12 output. It is widely used for connecting hard wiring sensor to electric meter with RJ12 socket.



General Specifications

Model	CRJ-31	
Weight	12.3g	
Output	Supports mV and mA output, e.g 100mV, 333mV and 100mA	
Output socket	RJ12	
Operating temperature	-25°C to 55°C	
Storage temperature	-40°C to 70°C	
Material	Self-extinguishing UL94V-0	
Female terminal model to match the Plug-in socket of the CRJ-31	HY-2Y: 2-PIN	HY-PT: 2-PIN

Dimensions



Example of Application



If you have any question, please feel free to contact our sales team.

Zhejiang Eastron Electronic Co., Ltd.

No.1369, Chengnan Rd. Jiaxing, Zhejiang, 314001, China

Tel: +86-573-83698881 Fax: +86-573-83698883

Email: sales@eastrongroup.com

www.eastrongroup.com

