

# Trent



## Metal Line Series

### Features:

- 3 Amp @ 250VAC / 24VDC
- Momentary or Latching Options
- IP67 Safety Rating
- Vandal Proof
- R/G/Y/O/B/W/RGB Colour Versions
- Dielectric Strength 2000V
- SS304 Body / SS316 Button

### Electrical Ratings

Nominal Voltage Rating		250VAC / 24VDC
Maximum Input Current		3 Amp (Nominal) 6 Amp (Max)
Contact Resistance		< 50mΩ
Insulation Resistance		≥1000MΩ
Dielectric Strength		1000VAC
Switch Type	Ring 2NO/2NC or NC/NO	C(Single-break fast-motion changeover contact)
Mechanical Life		>300,000 Operations
Electrical Life		>100,000 Operations
Function		OFF (ON)

### Environmental Conditions

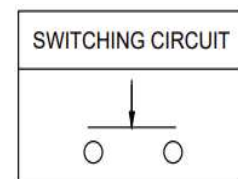
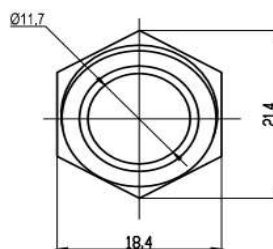
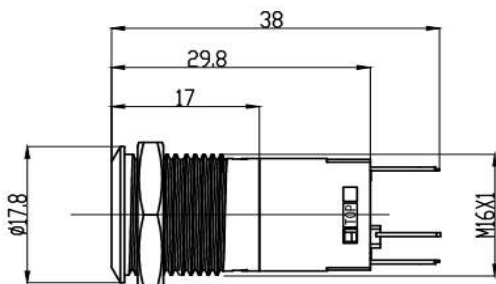
IP Rating	IP67
Operating Temperature	-20 to 55 Deg C
Panel Thickness	1-10mm
Torque	5-14Nm
Operating Pressure	2-5N
Operating Strike	1.5mm – 2.5mm
Soldering	300 Deg C for 5 seconds

### Material

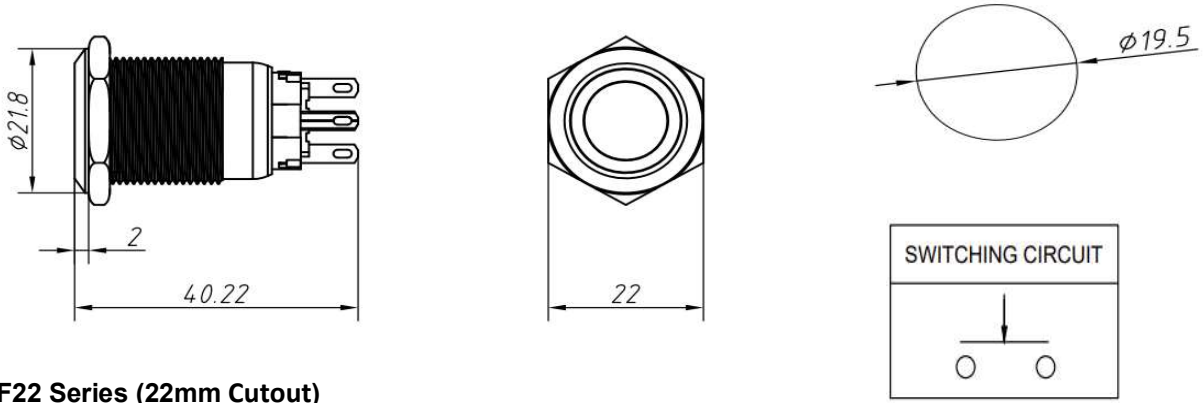
Body	SS304
Button	SS316
Screw	Copper Plated Ni
PIN	Copper Plated Gold
Contact	Oxide Thin
Base	PA66

### Dimensions

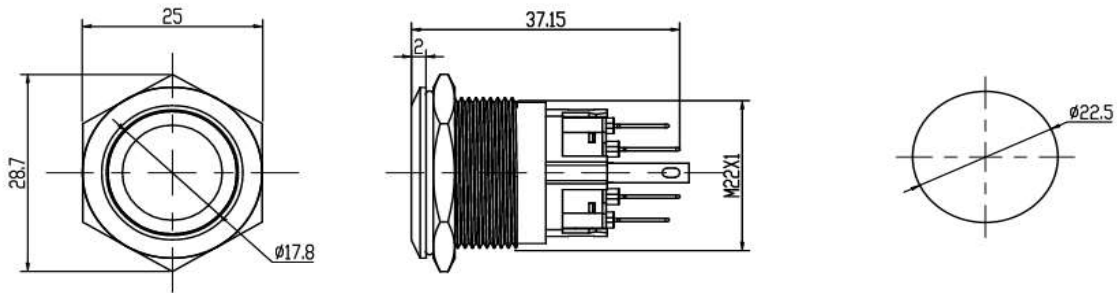
#### F16 Series (16mm Cutout)



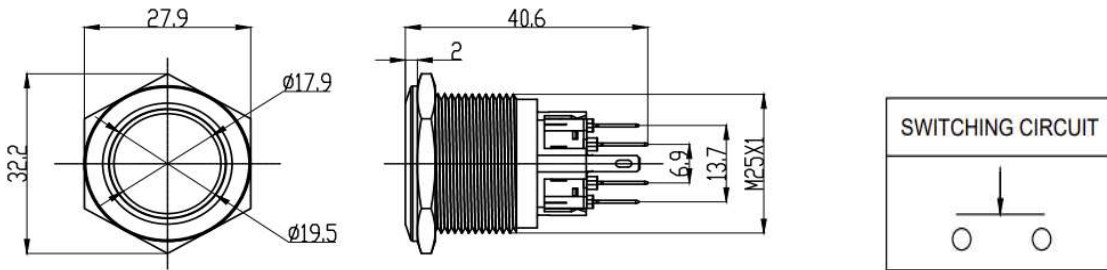
**F19 Series (19mm Cutout)**



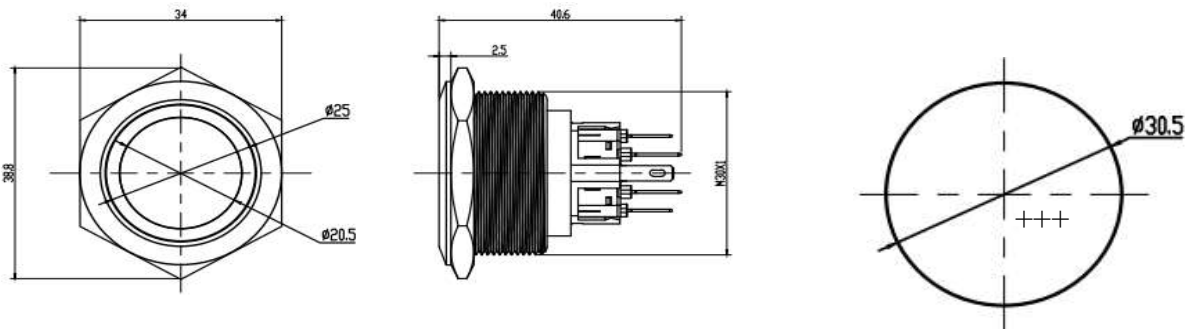
**F22 Series (22mm Cutout)**



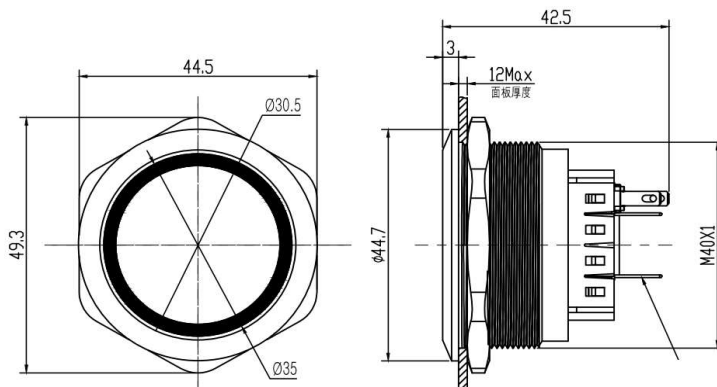
**F25 Series (25mm Cutout)**



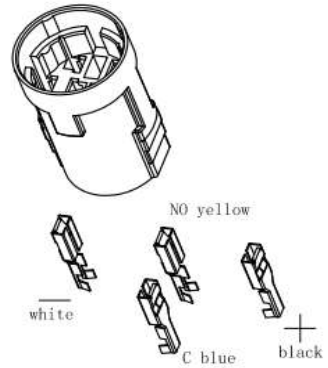
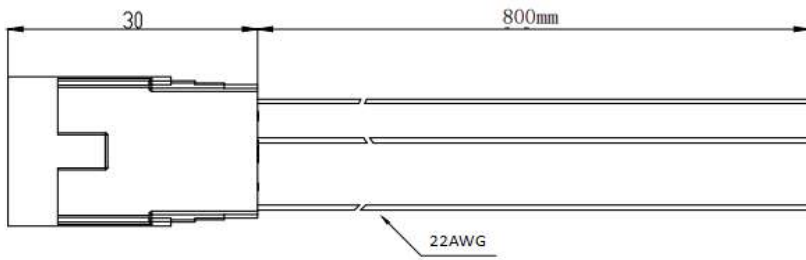
**F30 Series (30mm Cutout)**



**F40 Series (40mm)**



### F19 Connector 100mm or 800mm 22AWG (Optional)

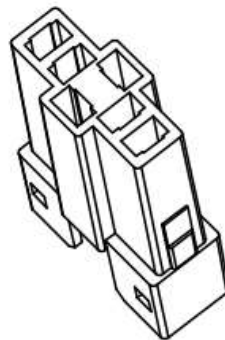
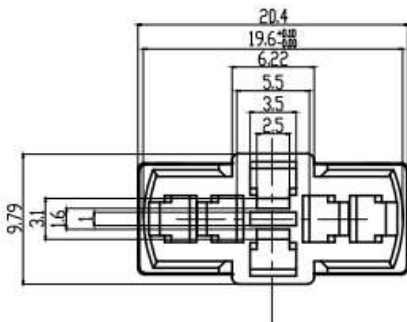
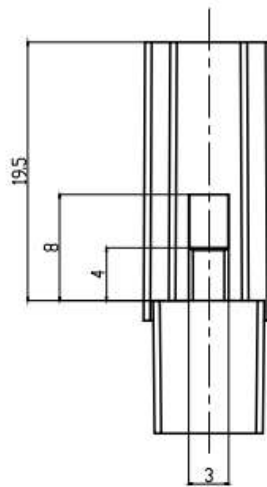
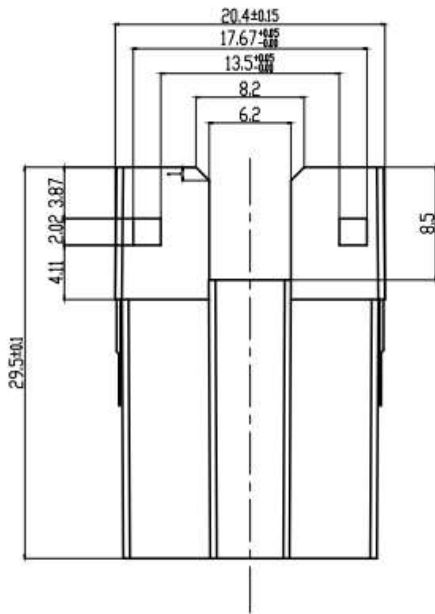
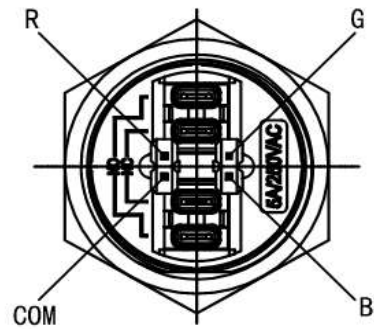
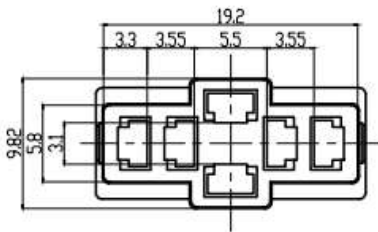


Material:  
Base:PA66

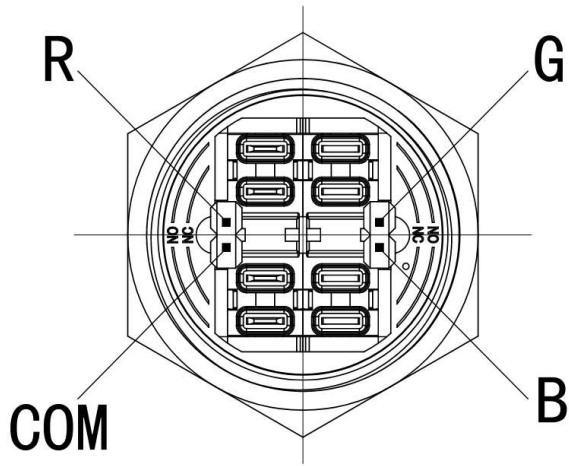
**F19 Connector**

### F22 Connector & Wiring 100mm or 800mm 22AWG

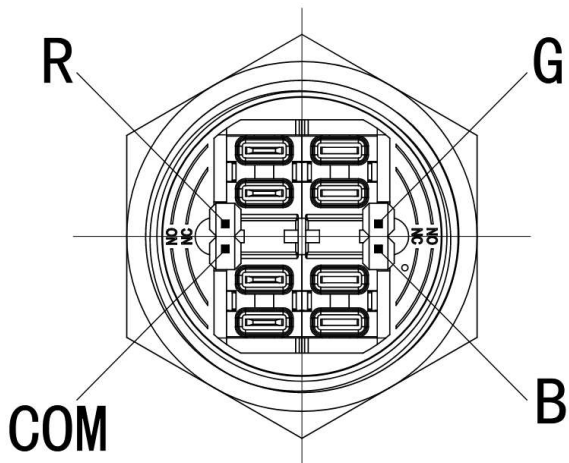
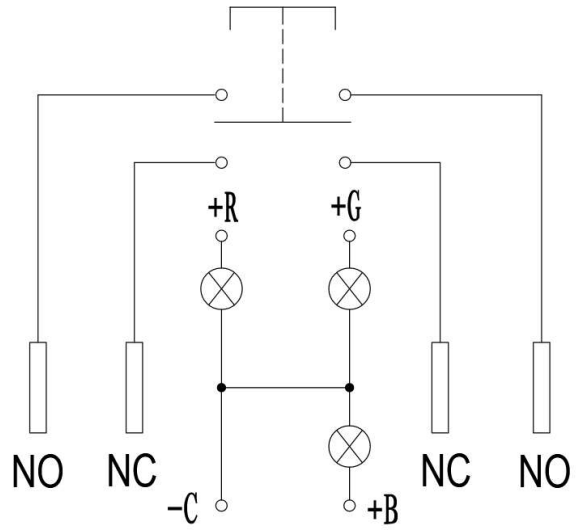
### RGB Connections



F22, F30, F40 RGB Wiring



NPN Type



PNP Type

