



FGLW26 Series Rotary Switches Technical data


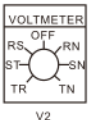
| | |
|--|---|
| Standard | IEC60947-3/IEC60947-5-1 |
| Approval | CE |
| Rated thermal current I _{th} (A) | 10/20/25/32/40/63/125/160/250/315 |
| Rated operational voltage U _e (V) | 240/440 |
| Rated insulation voltage U _i (V) | 660/690 |
| Rated frequency(Hz) | 50/60 |
| Number of poles(P) | 1,2,3,4 |
| Handle type | black thumb grip and light grey front plate padlockable handle |
| Degree of protection | IP20 |
| Ambient air temperature(°C) | -25~+40 max.90% humidity |
| Storage temperature(°C) | -40~+75 |
| Maximum operating altitude(meters) | 2000 |




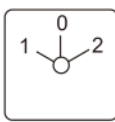
Control switches with black thumb grip and light grey front plate

| Picture | Function | Number of poles | In(A) | Type code |
|---|----------|-----------------|-------|----------------|
|  | 0-1 | 1 | 10 | TGLW26-1011010 |
| | | | 20 | TGLW26-1011020 |
| | | | 25 | TGLW26-1011025 |
| | | | 32 | TGLW26-1011032 |
| | | | 40 | TGLW26-1011040 |
| | | | 63 | TGLW26-1011063 |
| | | | 125 | TGLW26-1011125 |
| | | | 160 | TGLW26-1011160 |
| | | | 250 | TGLW26-1011250 |
| | | | 315 | TGLW26-1011315 |
|  | 0-1 | 2 | 10 | TGLW26-1012010 |
| | | | 20 | TGLW26-1012020 |
| | | | 25 | TGLW26-1012025 |
| | | | 32 | TGLW26-1012032 |
| | | | 40 | TGLW26-1012040 |
| | | | 63 | TGLW26-1012063 |
| | | | 125 | TGLW26-1012125 |
| | | | 160 | TGLW26-1012160 |
| | | | 250 | TGLW26-1012250 |
| | | | 315 | TGLW26-1012315 |
| | 0-1 | 3 | 10 | TGLW26-1013010 |
| | | | 20 | TGLW26-1013020 |
| | | | 25 | TGLW26-1013025 |
| | | | 32 | TGLW26-1013032 |
| | | | 40 | TGLW26-1013040 |
| | | | 63 | TGLW26-1013063 |
| | | | 125 | TGLW26-1013125 |
| | | | 160 | TGLW26-1013160 |
| | | | 250 | TGLW26-1013250 |
| | | | 250 | TGLW26-1013315 |
| | 0-1 | 4 | 10 | TGLW26-1014010 |
| | | | 20 | TGLW26-1014020 |
| | | | 25 | TGLW26-1014025 |
| | | | 32 | TGLW26-1014032 |
| | | | 40 | TGLW26-1014040 |
| | | | 63 | TGLW26-1014063 |
| | | | 125 | TGLW26-1014125 |
| | | | 160 | TGLW26-1014160 |
| | | | 250 | TGLW26-1014250 |
| | | | 250 | TGLW26-1014315 |


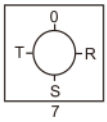
Voltmeter switches with black thumb grip and light grey front plate

| Picture | Function | Number of poles | In(A) | Type code |
|---|---|-----------------|-------|-----------|
|  |  | 3 | 20 | TGLW26V |


Control switches with black thumb grip and light grey front plate

| Picture | Function | Number of poles | In(A) | Type code | | | |
|---|----------------|-----------------|---|----------------|---|----|----------------|
|  | 1-0-2 | 1 | 10 | TGLW26-1021010 | | | |
| | | | 20 | TGLW26-1021020 | | | |
| | | | 25 | TGLW26-1021025 | | | |
| | | | 32 | TGLW26-1021032 | | | |
| | | | 40 | TGLW26-1021040 | | | |
| | | | 63 | TGLW26-1021063 | | | |
| | | | 125 | TGLW26-1021125 | | | |
| | | | 160 | TGLW26-1021160 | | | |
| | | | 250 | TGLW26-1021250 | | | |
| | | | 315 | TGLW26-1021315 | | | |
| | | |  | 1-0-2 | 2 | 10 | TGLW26-1022010 |
| | | | | | | 20 | TGLW26-1022020 |
| 25 | TGLW26-1022025 | | | | | | |
| 32 | TGLW26-1022032 | | | | | | |
| 40 | TGLW26-1022040 | | | | | | |
| 63 | TGLW26-1022063 | | | | | | |
| 125 | TGLW26-1022125 | | | | | | |
| 160 | TGLW26-1022160 | | | | | | |
| 250 | TGLW26-1022250 | | | | | | |
| 315 | TGLW26-1022315 | | | | | | |
| <td rowspan="12">1-0-2</td> <td rowspan="12">3</td> <td>10</td> <td>TGLW26-1023010</td> | 1-0-2 | 3 | | | | 10 | TGLW26-1023010 |
| | | | | | | 20 | TGLW26-1023020 |
| | | | 25 | TGLW26-1023025 | | | |
| | | | 32 | TGLW26-1023032 | | | |
| | | | 40 | TGLW26-1023040 | | | |
| | | | 63 | TGLW26-1023063 | | | |
| | | | 125 | TGLW26-1023125 | | | |
| | | | 160 | TGLW26-1023160 | | | |
| | | | 250 | TGLW26-1023250 | | | |
| | | | <td rowspan="12">1-0-2</td> <td rowspan="12">4</td> <td>10</td> <td>TGLW26-1024010</td> | 1-0-2 | 4 | 10 | TGLW26-1024010 |
| | | | | | | 20 | TGLW26-1024020 |
| | | | | | | 25 | TGLW26-1024025 |
| 32 | TGLW26-1024032 | | | | | | |
| 40 | TGLW26-1024040 | | | | | | |
| 63 | TGLW26-1024063 | | | | | | |
| 125 | TGLW26-1024125 | | | | | | |
| 160 | TGLW26-1024160 | | | | | | |
| 250 | TGLW26-1024250 | | | | | | |

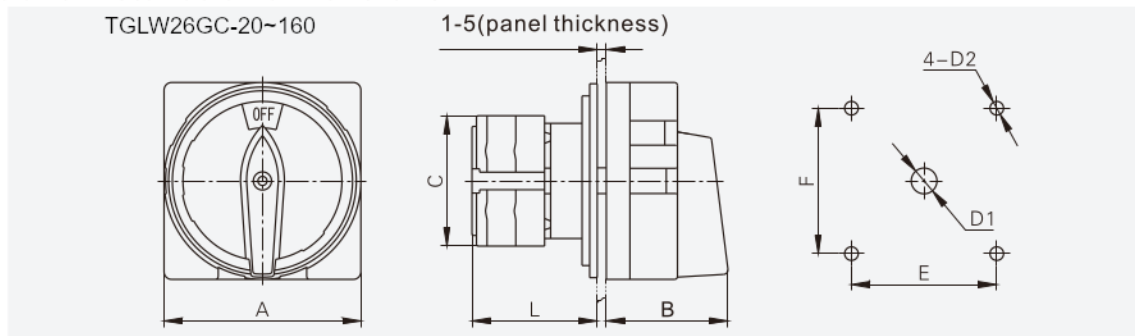
Ammeter switches with black thumb grip and light grey front plate

| Picture | Function | Number of poles | In(A) | Type code |
|---|---|-----------------|-------|-----------|
|  |  | 3 | 20 | TGLW26A |

1. Control switches with padlockable handle

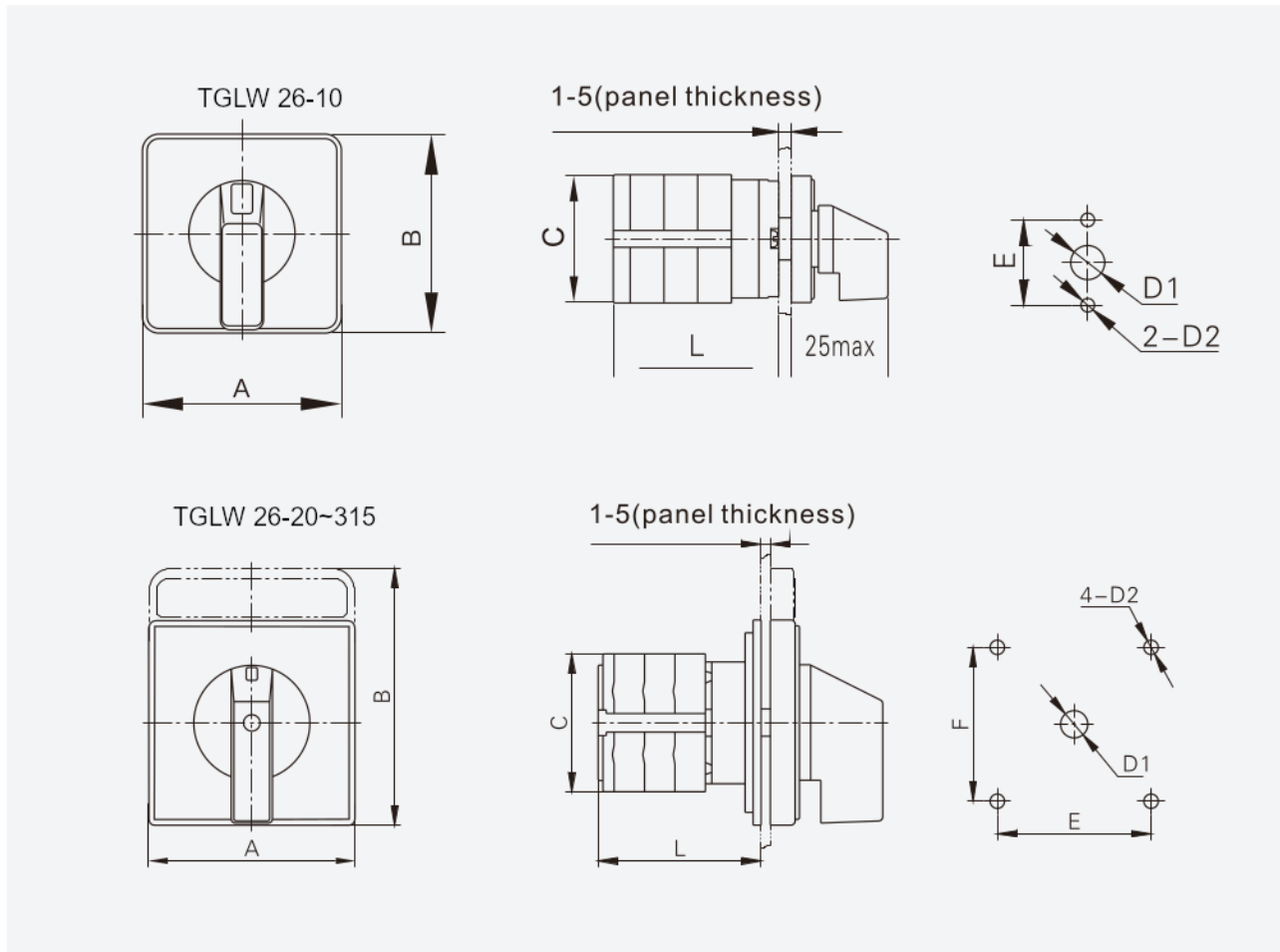
| Picture | Function | Number of poles | In(A) | Type code |
|---|----------|-----------------|---------------|---------------|
|  | ON-OFF | 1 | 20 | TGLW26GS-120 |
| | | | 25 | TGLW26GS-125 |
| | | | 32 | TGLW26GS-132 |
| | | | 63 | TGLW26GS-163 |
| | | | 125 | TGLW26GS-1125 |
| | | | 160 | TGLW26GS-1160 |
| | ON-OFF | 2 | 20 | TGLW26GS-220 |
| | | | 25 | TGLW26GS-225 |
| | | | 32 | TGLW26GS-232 |
| | | | 63 | TGLW26GS-263 |
| | | | 125 | TGLW26GS-2125 |
| | | | 160 | TGLW26GS-2160 |
| | ON-OFF | 3 | 20 | TGLW26GS-320 |
| | | | 25 | TGLW26GS-325 |
| | | | 32 | TGLW26GS-332 |
| | | | 63 | TGLW26GS-363 |
| 125 | | | TGLW26GS-3125 | |
| 160 | | | TGLW26GS-3160 | |
| ON-OFF | 4 | 20 | TGLW26GS-420 | |
| | | 25 | TGLW26GS-425 | |
| | | 32 | TGLW26GS-432 | |
| | | 63 | TGLW26GS-463 | |
| | | 125 | TGLW26GS-4125 | |
| | | 160 | TGLW26GS-4160 | |

2. Outline and installation dimensions



| Type | Panel configuration | Dimension(mm) | | | | Mounting Dimension (mm) | | | |
|---------------|---------------------|---------------|------|------|----|-------------------------|----|------|------|
| | | A | B | C | L | E | F | D1 | D2 |
| TGLW26GS-20 | M1 | 48 | 43 | 42 | 33 | 36 | 36 | φ8.5 | φ4.5 |
| TGLW26GS-20M2 | M2 | 64 | 43 | 43 | 42 | 48 | 48 | φ10 | φ4.5 |
| TGLW26GS-25 | M1 | 48 | 45.2 | 50 | 33 | 36 | 36 | φ8.5 | φ4.5 |
| TGLW26GS-25M2 | M2 | 64 | 45.2 | 51 | 42 | 48 | 48 | φ10 | φ4.5 |
| TGLW26GS-32 | M2 | 64 | 58 | 55 | 42 | 48 | 48 | φ10 | φ4.5 |
| TGLW26GS32M3 | M3 | 88 | 58 | 55 | 52 | 68 | 68 | φ13 | φ6 |
| TGLW26GS-40 | M2 | 64 | 58 | 55 | 42 | 48 | 48 | φ10 | φ4.5 |
| TGLW26GS-40M3 | M3 | 88 | 58 | 55 | 52 | 68 | 68 | φ13 | φ6 |
| TGLW26GS-63 | M2 | 64 | 58 | 55 | 42 | 48 | 48 | φ10 | φ4.5 |
| TGLW26GS-63M3 | M3 | 88 | 66 | 72.5 | 52 | 68 | 68 | φ13 | φ6 |
| TGLW26GS-125 | M3 | 88 | 84 | 88 | 52 | 68 | 68 | φ13 | φ6 |
| TGLW26GS-160 | M3 | 88 | 88 | 100 | 52 | 68 | 68 | φ13 | φ6 |

3.Outline and installation dimensions



| Type | Panel configuration | Dimension(mm) | | | | Mounting Dimension (mm) | | | |
|-------------|---------------------|---------------|-----|------|------------|-------------------------|-----|------|------|
| | | A | B | C | L | E | F | D1 | D2 |
| TGLW26-10 | M0 | 30 | 30 | 30.5 | 15.5+8n | 20 | - | φ8 | φ3.2 |
| TGLW26-20 | M1 | 48 | 48 | 43 | 22+9.6n | 20 | 36 | φ8.5 | φ4.5 |
| TGLW26-20M2 | M2 | 64 | 64 | 43 | 25+9.6n | 48 | 48 | φ10 | φ4.5 |
| TGLW26-25 | M1 | 48 | 48 | 45.2 | 23+12.8n | 36 | 36 | φ8.5 | φ4.5 |
| TGLW26-25M2 | M2 | 64 | 64 | 45.2 | 26.5+12.8n | 48 | 48 | φ10 | φ4.5 |
| TGLW26-32 | M2 | 64 | 64 | 58 | 29.2+12.8n | 48 | 48 | φ10 | φ4.5 |
| TGLW26-32M3 | M3 | 88 | 88 | 58 | 29.2+12.8n | 68 | 68 | φ13 | φ6 |
| TGLW26-40 | M2 | 64 | 64 | 58 | 29.2+12.8n | 48 | 48 | φ10 | φ4.5 |
| TGLW26-40M3 | M3 | 88 | 88 | 58 | 29.2+12.8n | 68 | 68 | φ13 | φ6 |
| TGLW26-63 | M2 | 64 | 64 | 58 | 29.2+21.5n | 48 | 48 | φ10 | φ4.5 |
| TGLW26-63M3 | M3 | 88 | 88 | 66 | 29.2+21.5n | 68 | 68 | φ13 | φ6 |
| TGLW26-125 | M3 | 88 | 88 | 84 | 35+26.5n | 68 | 68 | φ13 | φ6 |
| TGLW26-160 | M3 | 88 | 88 | 88 | 35+32.5n | 68 | 68 | φ13 | φ6 |
| TGLW26-250 | M3 | 88 | 88 | 108 | 35.5+36n | 68 | 68 | φ13 | φ6 |
| TGLW26-315 | M4 | 130 | 130 | 126 | 39.5+38.5n | 104 | 104 | φ16 | φ7 |

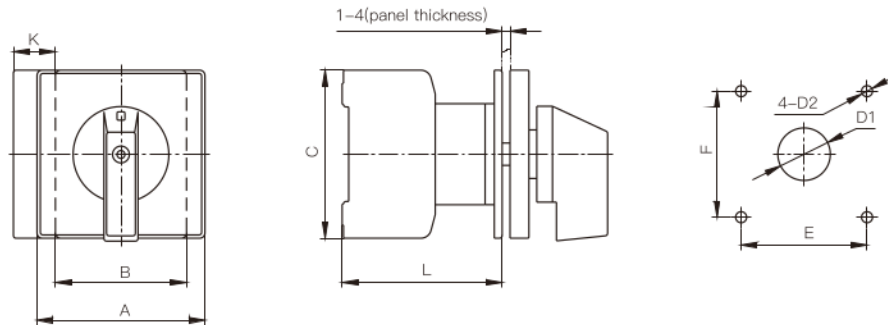
TGLW30 Series Rotary Switches

Technical data

| | |
|------------------------------------|--------------------------|
| Standard | IEC60947-3/IEC60947-5-1 |
| Approval | CE |
| Rated thermal current Ith(A) | 20/25/32/40/63/80/100 |
| Rated operational voltage Ue(V) | 240/440 |
| Rated insulation voltage Ui(V) | 660 |
| Rated frequency(Hz) | 50 |
| Number of poles(P) | 3,4 |
| Handle type | padlockable handle |
| Degree of protection | IP65 with box |
| Ambient air temperature(°C) | -25~+40 max.90% humidity |
| Storage temperature(°C) | -40~+75 |
| Maximum operating altitude(meters) | 2000 |

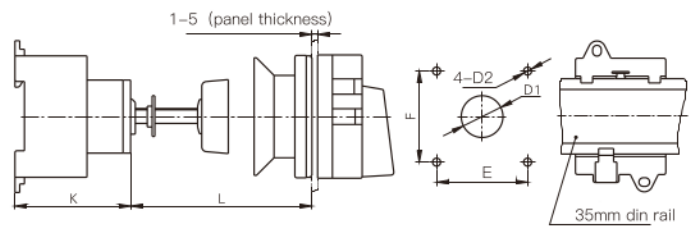


Outline and installation dimensions

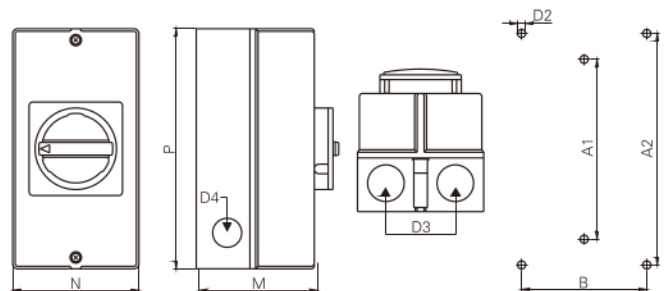





| Type | Dimension(mm) | | | | | Mounting Dimension (mm) | | | |
|--------------|---------------|----|----|------|----|-------------------------|----|-----|------|
| | A | B | C | K | L | E | F | D1 | D2 |
| TGLW30-D20 | 64 | 42 | 54 | 13.5 | 61 | 48 | 48 | φ10 | φ4.2 |
| TGLW30-D25 | 64 | 42 | 54 | 13.5 | 61 | 48 | 48 | φ10 | φ4.2 |
| TGLW30-D32 | 64 | 42 | 54 | 13.5 | 61 | 48 | 48 | φ10 | φ4.2 |
| TGLW30-D40 | 64 | 50 | 64 | 16 | 67 | 48 | 48 | φ10 | φ4.2 |
| TGLW30-D63 | 64 | 50 | 64 | 16 | 67 | 48 | 48 | φ10 | φ4.2 |
| TGLW30-D80 | 64 | 70 | 80 | 22.5 | 82 | 48 | 48 | φ10 | φ4.2 |
| FTGLW30-D100 | 64 | 70 | 80 | 22.5 | 82 | 48 | 48 | φ10 | φ4.2 |

| Type | Dimension(mm) | | | Mounting Dimension (mm) | | | |
|-------------|---------------|------|------|-------------------------|----|-----|------|
| | K | Lmin | Lmax | E | F | D1 | D2 |
| TGLW30-R20 | 50 | 32 | 150 | 48 | 48 | φ22 | φ4.2 |
| TGLW30-R25 | 50 | 32 | 150 | 48 | 48 | φ22 | φ4.2 |
| TGLW30-R32 | 50 | 32 | 150 | 48 | 48 | φ22 | φ4.2 |
| TGLW30-R40 | 50 | 32 | 150 | 48 | 48 | φ22 | φ4.2 |
| TGLW30-R63 | 50 | 32 | 150 | 48 | 48 | φ22 | φ4.2 |
| TGLW30-R80 | 50 | 32 | 150 | 48 | 48 | φ22 | φ4.2 |
| TGLW30-R100 | 50 | 32 | 150 | 48 | 48 | φ22 | φ4.2 |



| Type | Dimension(mm) | | | | | Mounting Dimension (mm) | | | |
|-------------|---------------|-----|-----|-----|-----|-------------------------|-----|-----|------|
| | D3 | D4 | M | N | P | A1 | A2 | B | D2 |
| TGLW30-B20 | φ23 | φ19 | 85 | 83 | 160 | 150 | — | — | φ4.2 |
| TGLW30-B25 | φ23 | φ19 | 85 | 83 | 160 | 150 | — | — | φ4.2 |
| TGLW30-B32 | φ23 | φ19 | 85 | 83 | 160 | 150 | — | — | φ4.2 |
| TGLW30-B40 | φ29 | φ23 | 100 | 95 | 190 | 178 | — | — | φ4.2 |
| TGLW30-B63 | φ29 | φ23 | 100 | 95 | 190 | 178 | — | — | φ4.2 |
| TGLW30-B80 | φ37.5 | φ23 | 144 | 145 | 250 | — | 229 | 124 | φ4.2 |
| TGLW30-B100 | φ37.5 | φ23 | 144 | 145 | 250 | — | 229 | 124 | φ4.2 |



| Picture | Function | Number of poles | In(A) | Type code |
|---|----------|-----------------|-------|--------------|
| Control switches with padlockable handle  | ON/OFF | 3 | 20 | TGLW30-3D20 |
| | | | 25 | TGLW30-3D25 |
| | | | 32 | TGLW30-3D32 |
| | | | 40 | TGLW30-3D40 |
| | | | 63 | TGLW30-3D63 |
| | | | 80 | TGLW30-3D80 |
| | | | 100 | TGLW30-3D100 |
| | ON/OFF | 4 | 20 | TGLW30-4D20 |
| | | | 25 | TGLW30-4D25 |
| | | | 32 | TGLW30-4D32 |
| | | | 40 | TGLW30-4D40 |
| | | | 63 | TGLW30-4D63 |
| | | | 80 | TGLW30-4D80 |
| | | | 100 | TGLW30-4D100 |
| Control switches with padlockable handle  | ON/OFF | 3 | 20 | TGLW30-3R20 |
| | | | 25 | TGLW30-3R25 |
| | | | 32 | TGLW30-3R32 |
| | | | 40 | TGLW30-3R40 |
| | | | 63 | TGLW30-3R63 |
| | | | 80 | TGLW30-3R80 |
| | | | 100 | TGLW30-3R100 |
| | ON/OFF | 4 | 20 | TGLW30-4B20 |
| | | | 25 | TGLW30-4B25 |
| | | | 32 | TGLW30-4B32 |
| | | | 40 | TGLW30-4B40 |
| | | | 63 | TGLW30-4B63 |
| | | | 80 | TGLW30-4B80 |
| | | | 100 | TGLW30-4B100 |
| Insulated with padlockable handle IP65  | ON/OFF | 3 | 20 | TGLW30-3B20 |
| | | | 25 | TGLW30-3B25 |
| | | | 32 | TGLW30-3B32 |
| | | | 40 | TGLW30-3B40 |
| | | | 63 | TGLW30-3B63 |
| | | | 80 | TGLW30-3B80 |
| | | | 100 | TGLW30-3B100 |
| | ON/OFF | 4 | 20 | TGLW30-4R20 |
| | | | 25 | TGLW30-4R25 |
| | | | 32 | TGLW30-4R32 |
| | | | 40 | TGLW30-4R40 |
| | | | 63 | TGLW30-4R63 |
| | | | 80 | TGLW30-4R80 |
| | | | 100 | TGLW30-4R100 |

Auxiliary contacts



AC15 220~240V 6A/380~440V 4A

grounding or auxiliary contacts

