

Trent

Trent Series

Committed to becoming a world-class intelligent electric brand



Distribution Box

ISO9001 ISO14001 OHSAS18001



Fastron
Electronics

- Power Semiconductors
- Electrical Measurement
- Process Control

9B Lakewood Blvd
Braeside VIC 3195 Australia

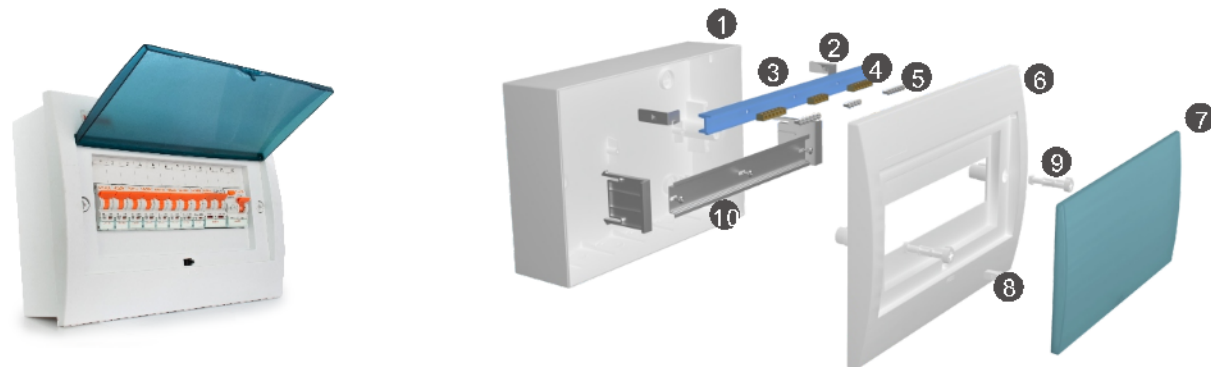
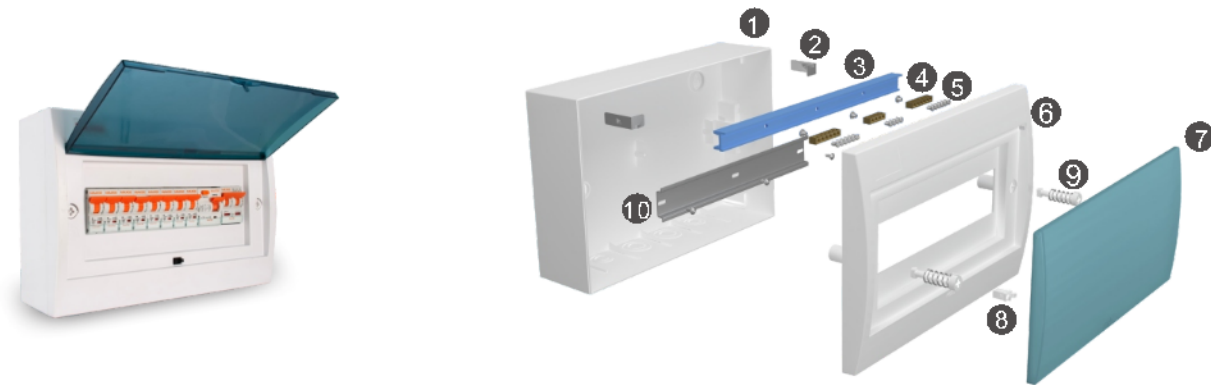
Web: www.fastron.com.au
Email: sales@fastron.com.au
Telephone: + 61- 3 - 97635155
Facsimile: + 61- 3 - 97635206

DP/DF Plastic Base Series

Number of module	Plastic base (Surface type)	Plastic base (Flush type)	Rated Current In(A)	Color of door
6	DP-06	DF-06	63/100/125A	Blue/White
8	DP-08	DF-08	63/100/125A	Blue/White
12	DP-12	DF-12	63/100/125A	Blue/White
18	DP-18	DF-18	63/100/125A	Blue/White
24	DP-24	DF-24	63/100/125A	Blue/White
36	DP-36	DF-36	63/100/125A	Blue/White
54	DP-54	/	63/100/125A	Blue/White

DP Series Surface Mount

Dimension	L1/L2	W1/W2	H1/H2
6ways	194/168	204/129	102/77
8ways	228/203	204/129	102/77
12ways	300/275	204/129	102/77
18ways	410/384	204/129	102/77
24ways	300/298	294/242	109/77
36ways	410/406	294/242	109/77
54ways	435/425	601/579	143/120



1. Plastic Base	2. Iron Support	3. Terminal Block Support
4. Brass Terminal Block	5. Brass Terminal Block Screw	6. Plastic Front Cover
7. PC Window	8. Plastic Cover Lock	9. Plastic Screw and Spring
10. Din Rail		



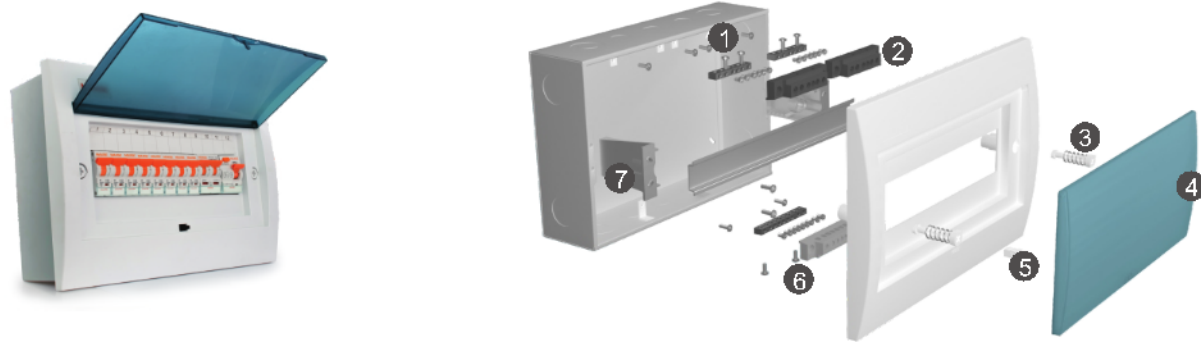
DF Series Flush Mount

Dimension	L1/L2	W1/W2	H1/H2
6ways	210/168	219/129	102/77
8ways	244/203	219/129	102/77
12ways	317/275	219/129	102/77
18ways	426/384	219/129	102/77
24ways	318/298	310/242	109/77
36ways	426/406	310/242	109/77



DFM Series (Plastic Cover with Metal Base)

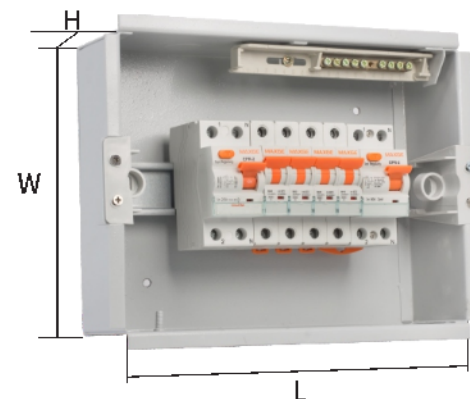
Number of module	Metal base (Flush type)	Rated Current In(A)	Color of door
8	DFM-8	63/100/125A	Blue/White
12	DFM-12	63/100/125A	Blue/White
18	DFM-18	63/100/125A	Blue/White
24	DFM-24	63/100/125A	Blue/White
36	DFM-36	63/100/125A	Blue/White



1.Screw(M4x10)	2.Plastic Strip	3.Plastic Screw and Spring
4.PC Window	5.Plastic Cover Lock	6.Screw(M2.5x14)
7.Iron Support		

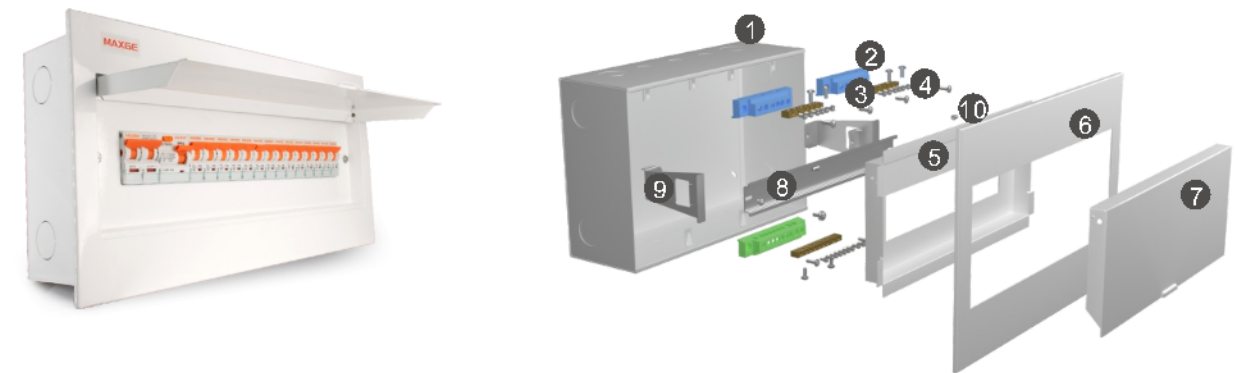
Metal Base Dimension

Specification	L	W	H
8ways	264	202	73
12ways	300	202	78
18ways	408	202	73
24ways	300	292	73
36ways	408	292	76



DFMM Series (Metal Cover with Metal Base)

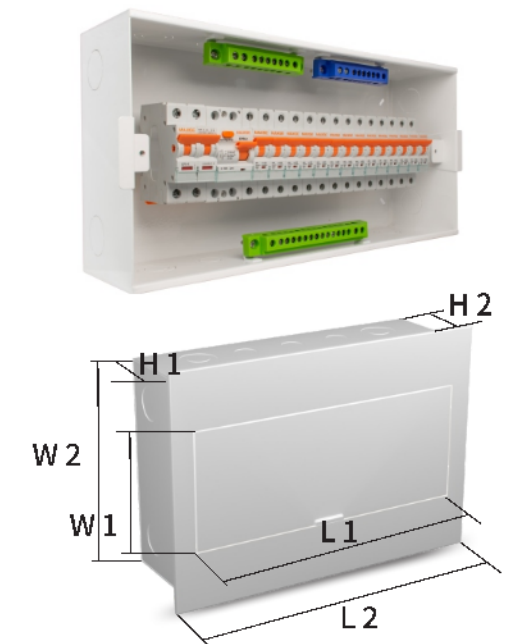
Number of module	Metal base (Flush type)	Rated Current In(A)	Color of door
8	DFMM-8	63/100/125A	Blue/White
12	DFMM-12	63/100/125A	Blue/White
18	DFMM-18	63/100/125A	Blue/White
24	DFMM-24	63/100/125A	Blue/White
36	DFMM-36	63/100/125A	Blue/White



1.Metal Base	2.Plastic Strip	3.Metal Brass Terminal Block
4.Screw	5.Front Cover Plate	6.Metal Front Cover
7.PC Window	8.Din Rail	9.Din Rail Support
10.Hinge Screw		

Metal Base Dimension

Dimension	L1/L2	W1/W2	H1/H2
8ways	210/251	115/226	103/105
12ways	280/321	115/226	103/105
18ways	388/429	115/226	103/105
24ways	280/321	115X2/317	103/105.7
36ways	388/429	115X2/317	103/105.7



DF DP Series Distribution Box

Technical data

Standard	IEC60439-3
Approval	CE
Modules (No.)	4,6,8,10,12,14,16,18,22
Rated current In(A)	63,100,125
Color	Grey
Color of door	Grey
Mounting type	Surface
Degree of protection	IP30
Material	Iron
Fire resistance	650°C/30s
Ambient temperature (°C)	-5-+40, max.95% humidity
Storage temperature (°C)	-40~+75°C

Total metal

Metal bottom box: strong rustproof, safe and durable Material: Q195 Cold-rolled steel plate The high strength of the box is not easy to be deformed, and the line is overloaded. with IP30 protection degree Inner folding crimping technology: safe and strong, strong resistance to deformation Anti-rust process: through 72 hours of professional shipping anti-corrosion test

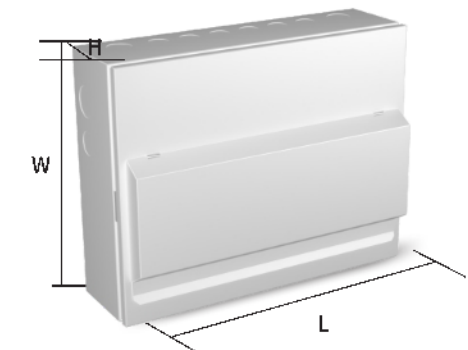
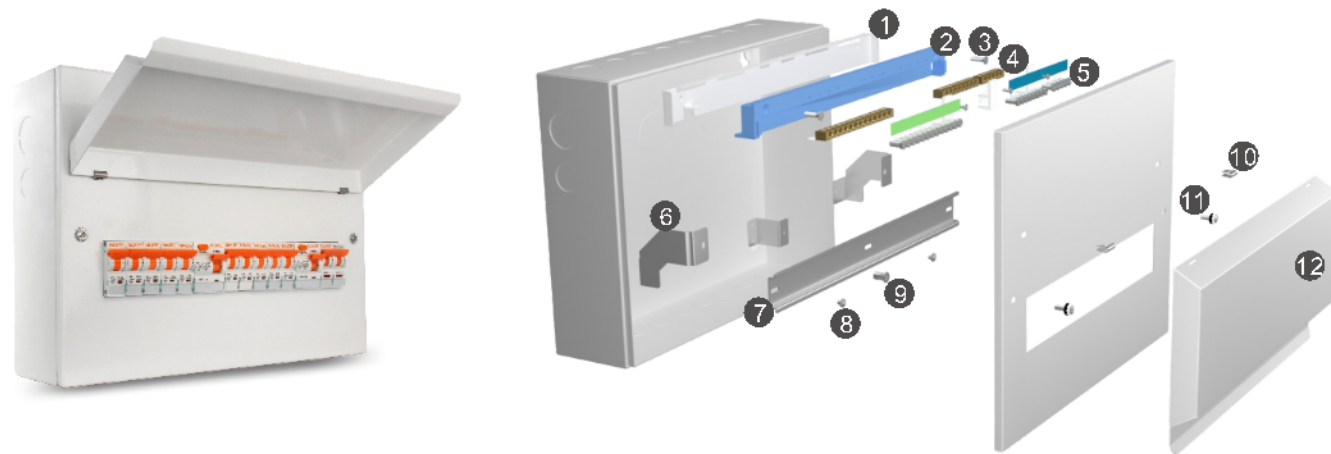


DPMM Series

Number of module	Plastic base	Rated Current In(A)	Color of door
4	DPMM-04A	63/100/125A	Grey
6	DPMM-06A	63/100/125A	Grey
8	DPMM-08A	63/100/125A	Grey
10	DPMM-10A	63/100/125A	Grey
12	DPMM-212A	63/100/125A	Grey
14	DPMM-214A-C	63/100/125A	Grey
16	DPMM-216A-D	63/100/125A	Grey
18	DPMM-218A-D	63/100/125A	Grey
22	DPMM-222A-C	63/100/125A	Grey

Metal Base Dimension

Specification	L	W	H
4ways	150	260	116
6ways	186	260	116
8ways	222	260	116
10ways	258	260	116
12ways	294	260	116
14ways	330	260	116
16ways	366	260	116
18ways	402	260	116
22ways	474	260	116



1. Plastic Strip Support	2. Plastic Strip	3. Flat Semi-Peccessed Hole Screw
4. Brass Terminal Block	5. Round M-Shape Screw	6. Din Rail Support on Left and Right
7. Din Rail	8. M4x4	9. Screw
10. Hinge	11. Metal Front Cover Screw and Spring	12. PC Window

PRODUCT DISPLAY (TYPE A)



Specification	L	W	H	Board
DPMM-205A (5 ways)	148	260	116	 SGDB205A
DPMM-208A (8 ways)	222	260	116	 SGDB208A
DPMM-210A (10 ways)	258	260	116	 SGDB210A
DPMM-212A (12 ways)	294	260	116	 SGDB212A
DPMM-216A (14 ways)	330	260	116	 SGDB216A
DPMM-216A (16 ways)	366	260	116	 SGDB216A
DPMM-218A (18 ways)	402	260	116	 SGDB218A
DPMM-222A (22 ways)	474	260	116	 SGDB222A

PRODUCT DISPLAY (TYPE A1)



Specification	L	W	H	Board
DPMM-210A (10 ways)	148	260	116	 SGDB210A-1
DPMM-212A (12 ways)	222	260	116	 SGDB212A-1
DPMM-214A (14 ways)	258	260	116	 SGDB214A-1
DPMM-216A (16 ways)	294	260	116	 SGDB216A-1
DPMM-218A (18 ways)	330	260	116	 SGDB218A-1
DPMM-222A (22 ways)	366	260	116	 SGDB222A-1