

Ordering Code examples
 FRCS-3-1200-175
 Class 11200 Amp/ 0.333V Output, 175mm Coil
 FRCS-3-2500-150
 Class 1, 2500/1 Amp Output, 150mm Coil
 FRCS-3-1000-150
 Class 1, 1000/0-5V Output, 150mm Coil, 0-5V output

FRCS-3 Series, 3 Phase Rogowski Coil with Integrator. Designed to accurately measure AC Current in large or retrofit applications through single or multiple circuits. The integrator provides an Isolated output or either 0.333V, 1 Amp, or 0-5V.

Rogowski Coils are widely used for Harmonic Analysis up to the 31st Harmonic, and for transformer winding Monitoring and control

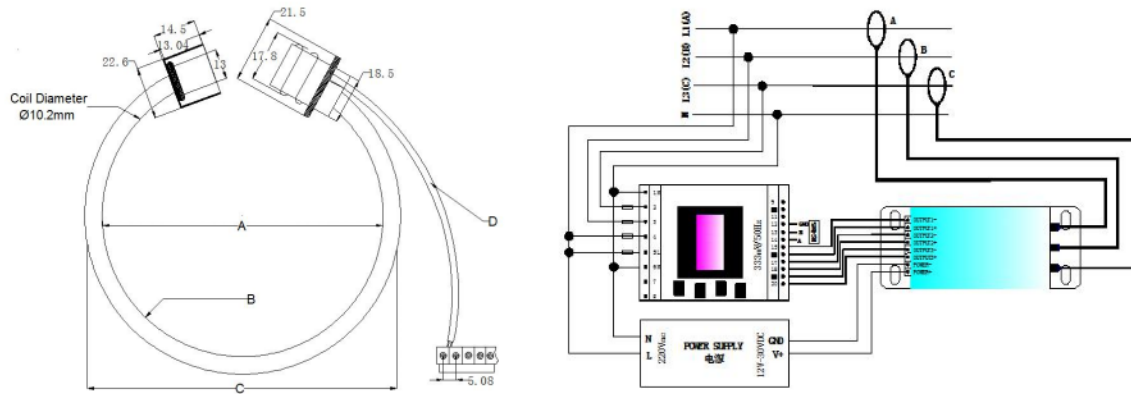


Electrical data (Ta=25°C ±5°C)

(AC) Current range(AC)	100-100K	A(ac)
Measure range	5% - 120%	%
Power frequency	45-65	Hz
frequency band	10 - 10KHz	Hz
Rated output	0-5Vac(典型333mVac)	Vac
Supply voltage	12 - 30V	V
Power Consumption	<30	mA
Offset voltage	≤3	mV
Offset drift	@ -25~+70°C ≤±1	mV/°C
Accuracy	≤1	%
Linearity	≤1	%FS
Response time	≤20	ms
Galvanic isolation	AC,1min 10	KV
Isolation resistance	@ DC 500V 1000	MΩ
(TA) Operating temperature	-25 to +70	°C
(TS) Storage temperature	-40 to +85	°C



Mechanical dimension(for reference only)



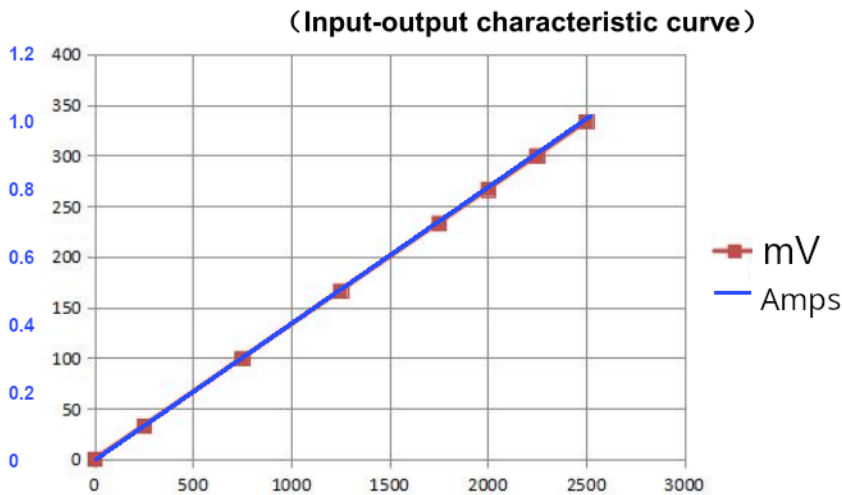
A(mm)	B(mm)	C(mm)	D(m)
≤600	10.5	A + 2*B	≤50
Custom made	10.5	Custom made	Custom made

Directions for use

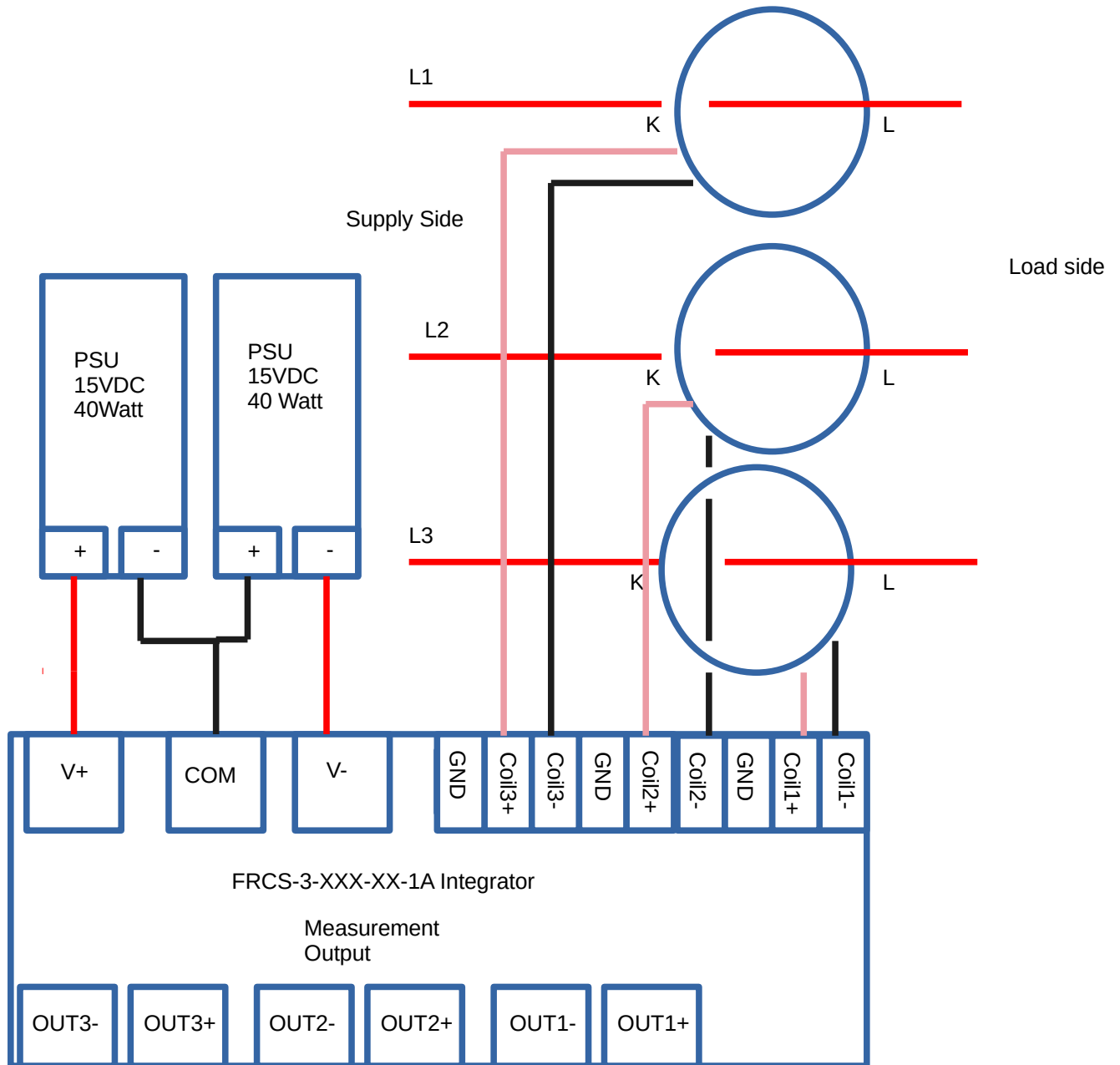
The wiring should be connected according to the label instructions, especially three-phase integrator must be AC voltage input interface device can be connected. Otherwise the value will be displayed error.
(Note: The false wiring may result in the damage of the integrator)

Custom design in the different rated input current and the output voltage are available.

Characteristics chart



General Wiring of FRCS +/-8..15VDC Bipolar PSU One 80W bipolar Supply of 2 x 40W 15VDC Supplies



9B Lakewood Blvd
Braeside VIC 3195 Australia

- Power Semiconductors
- Electrical Measurement
- Process Control

Web: www.fastron.com.au
Email: sales@fastron.com.au
Telephone: + 61- 3 - 97635155
Facsimile: + 61- 3 - 97635206

D. Rehe. 16/06/2023