

东莞市翔跃电机有限公司

DONGGUANSHIXIANGYUEJIDIAN CO., LTD

产品规格承认书

Recognized specifications book

Customer (客户): _____

Description (规格): AC FAN

Model No (型号): AC.XY12038HBL

Sample Issue Date(送样日期): 2022.12.12

CONFIRMATION SIGNATURE 客户承认栏	XYJ SIGNATURE 翔跃机电确认栏		
		APPD 核准	EDAM 审核
Please confirm your acceptance of this approval sheet by return fax. 本承认书内容若贵司确认无误, 请于上方承认栏内签章寄回。		赖斌	赖斌

地址: 东莞市高埗镇塘厦工业区创富街 5 号

DONGGUANSHIXIANGYUEJIDIAN CO., LTD

Web: www.xiangyuejidian.com Call: 86-0769-22680787

Fax: 86-0769-22680880

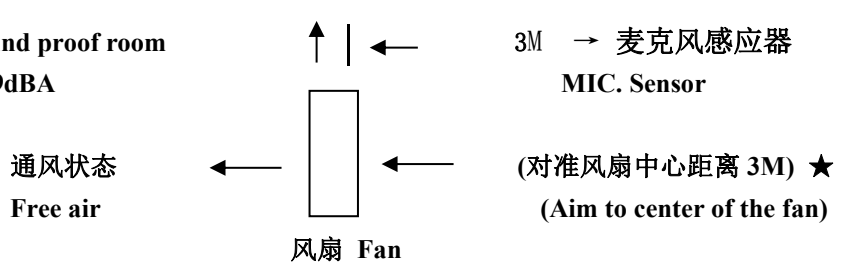
东莞市翔跃电机有限公司

DONGGUANSHIXIANGYUEJIDIAN CO., LTD

1、机构 Mechanical	
1-1、外观尺寸 External dimension	120*120*38MM
1-2、重量 Weight	约 350g
1-3、含油轴承 Sleeve bearing	滚珠轴承 Ball bearing
2、电气特性 Electrical characteristics(在通风及额定电压条件下 in free air at rated voltage)	
2-1、额定电压 Rated voltage	230V 50/60HZ
2-2、额定电流 Rated current	0.14/0.10A±10%
2-3、额定输入功率 Rated input power	23/21W±10%
3、效率 Efficiency	
3-1、风扇转速速 Rated speed(范围 range)	2600/3000 RPM ±10%
3-2、最大风量 Maximum air flow	98/112CFM
3-3、最大静压 Maximum static air pressure	7.3/9.2mm-H2O
4、特性规格 Characteristics	
4-1、操作电压 Operating voltage range	110~230V
4-2、起动电压 Starting voltage	110V(ON/OFF)
4-3、锁定电流 Locked current	0.14A(Reference)
4-4、操作温度 Operating temperature	-20℃~+70℃
4-5、储存温度 Storage temperature	-30+85℃
4-6、环境湿度测试 Environment humidity	10%(RH)45℃ for 24 hours & 98% (RH) 45℃ for 24 hours
4-7、绝缘阻抗强度 Insulation resistance	在本体与两条导线间加 500V 直流电压之绝缘阻抗 10MΩ 以上 At least 10MΩ at 500 VDC between housing and both lead wires
4-8、绝缘耐压强度 Dielectric strength	必须能抵抗在本体与两线间加 1800V 交流电压 1 分钟 1mA Withstand 1800 VAC 1 minute 1mA between housing and both lead wires
4-9、预期寿命(MTBF): 指在额定电压及正常温度, 湿度条件下连续运转。 Life expectance:continuous operation at rated voltage and normal temperature & humidity	
4-9-1、含油轴承寿命: 20000 小时 Sleeve bearing life expectance:20000Hours	
4-9-2、双滚珠轴承预期寿命: 50000 小时 Two balls bearing life expectance:50000Hours	
4-10、端子抗拉强度 Tensile strength of connector	端子以 1 公斤的拉力拉扯 15 秒不会脱落 Connector will not be any broken at 1 Kg for 15 seconds per piece.

东莞市翔跃电机有限公司

DONGGUANSHIXIANGYUEJIDIAN CO. , LTD

4-11、★噪音分贝 Accoustic sound vel	45/48dBA		
<p>4-11-1、噪音测试说明 Acoustic sound level test descriptions 以额定电压在噪音实验室中测试背景噪音 14.9 分贝 悬吊 Suspension</p> <p>At rated voltage in sound proof room Background noise:14.9dBA</p> <p>通风状态 Free air</p>  <p>风扇 Fan</p>			
4-12、特性定义 Characteristics definition:			
4-12-1、额定电流 & 额定转速 & 额定操作功率，须在额定电压下；马达连续转 5 分钟达到规格下限，10 分钟达到正常值			
Rated current, rated speed, and rated input power shall reach bottom line of specification after 5 minutes continuous rotation at rated voltage and reach standard specification after 10 minutes continuous at rated voltage.			
4-12-2、起动电压是指当突然通电后能够使风扇起动之最低电压			
Starting voltage is the least voltage that enables to start the fan by sudden power on.			
5、保护功能 Protection:			
5-1、风扇旋转锁定测试：将风扇通电锁死测试至少 12 小时，当锁定解除之后均仍然正常运转。			
Fans spin lock test: Fan power will be tested at least 12 hours locked,when the lock is still after the lifting of the normal operation of			
6、安全规格 Safety	UL	TUV	CE
			■

东莞市翔跃电机有限公司

DONGGUANSHIXIANGYUEJIDIAN CO., LTD

7、原材料 Material					
项次 Item	主要元件 Major components	材质或型式	等级	UL 号码 UL No.	备注 Rmark
7-1	外框 Fan housing	铝框 Aluminum box			
7-2	扇叶 Fan blade	PBT 85% + Fiber 15%	94V-0		5 叶
7-3	轴心 Stator core	不锈钢 Stainless steel (SUS420J2)			
7-4	轴承 Bearing	滚珠轴承 Ball bearing			
7-5	线架 Line frame	PA6/66 加纤 5%-25% 防火 V0 本色黑色			
7-6	矽钢片 Silicon steel strip	(H23) (H-60)			
7-7	漆包线 Enamelled copper wires	去膜直径 0.12~0.124mm Material & Specification 0.12~0.127mm	QZ-1 UEW		耐热 Heat resistance130℃
7-8	电源线 Lead wires	聚乙烯氧化物包铜线 PolyvinylChorideenamelled copper wires (AWG#20)			1007*22*350m m 黑黑线
7-9	贴纸 Label	多元脂 Polyester			SUNOH
8、出货检验程序 Product inspection procedur 本公司出货检验程序均依照下列步骤实施 Inspection procedures below are extremely followed					
8-1、100% 生产线上电性, 死角, 扇叶拉拔 100% Electric, rotating, dead spot, fan blade fasten, and primary noise test on production line					
8-2、100%以手敲击测试及静音室异音过滤 100% Strike test by hand and noise filter in quiet room					
8-3、10 cm 落地试验依附 MIL-STD-105E 作抽样 10 cm drop test at random in accordance with MIL-STD-105E standard					
8-4、出货抽样检验依 MIL-STD-105E 作允退判定 Random inspection in accordance with MIL-STD-105E standard					
8-5、允退标准如下 Pass/Reject standard: 加严 Critical AQL:0.4 正常 Major AQL:0.65 宽松 Minor AQL:1.0					

东莞市翔跃电机有限公司

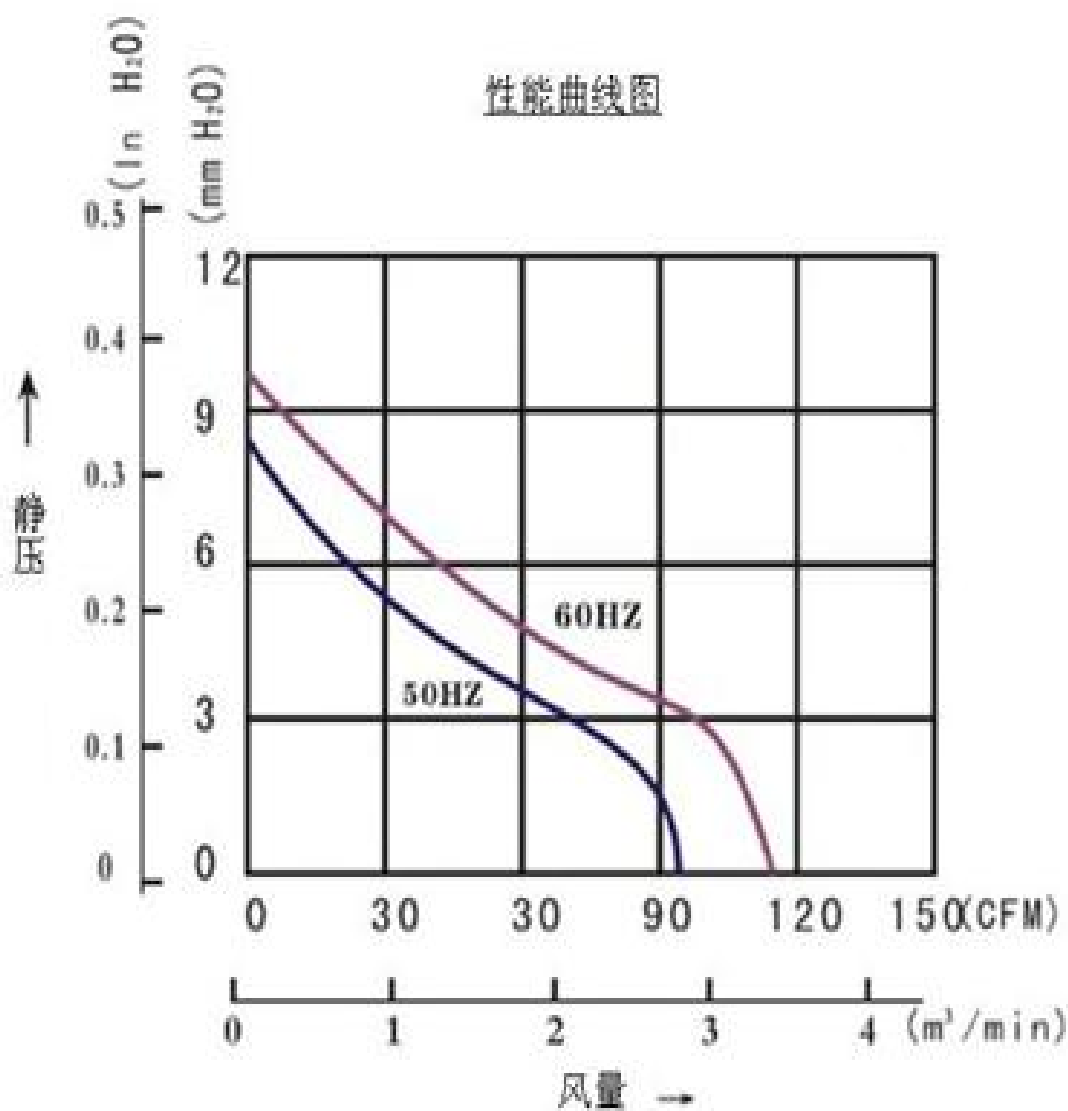
DONGGUANSHIXIANGYUEJIDIAN CO. , LTD

9、注意事项(Notes):
9-1、使用时请勿超出本规格所规定之极限，否则我们不保证此产品 We will not guarantee the products if the application of our products are exceeded the limitation which is specified on this specification.
9-2、倘若要变更此份文件的任何规格，请务必事先提出需求 In case of changes of the specification specified on this document.A written notice is requested in advance.
9-3、请勿触压着叶片以及电源线缠绕着风扇或用力拉扯电源线，如此轴心与电源线将会被损毁 Please do not touch the impeller with the pressure and never bring the fan with lead wire.The bearing and lead wire may be damaged.
9-4、本产品不保证因粉尘、水滴、小虫进入，而影响寿命与不良品产生 No guarantee on the products against the safety problem or failure caused by powder dust, drop of water or insect.
9-5、如有任何资料及文件与此份资料不同，将以此份资料为主要参考 If there is any data or related documentation different from this data sheet.This data sheet is the principle reference.
9-6、请勿在可燃性气体与任何有害环境中使用 Please do not use the fan in the environment of corrosive gas or liquid or any detrimental gas.
9-7、当风扇于运转中，请勿企图将风扇锁死特别长的时间，如此，会因连续停止不转，产生高热而烧毁风扇 While the fan is in operation, please do not lock the fan intentionally for a long periods of time, since the continuous stoppage will result in overheat and thus burnt out the fan
9-8、组装风扇时，请特别注意，因共振或振动产生的噪音 During the installation of the fan, please pay substantial attention to possible notice caused by resonance vibration and shock.
9-9、当搬运或作业中，风扇如从 60cm 的高度落下，将会对叶片的平衡产生若干影响，特别是滚珠轴承避免掉落 It is very important to notify that avoid to drop from 60cm height when in any movement or operation,it will impact the balance of blade. Especially ball bearing structure is avoided to drop down.
9-10、锁外壳之螺丝扭力不得超 4Kgf The torque of the screw which locked the frame should not exceed 4 Kgf

东莞市翔跃电机有限公司

DONGGUANSHIXIANGYUEJIDIAN CO., LTD

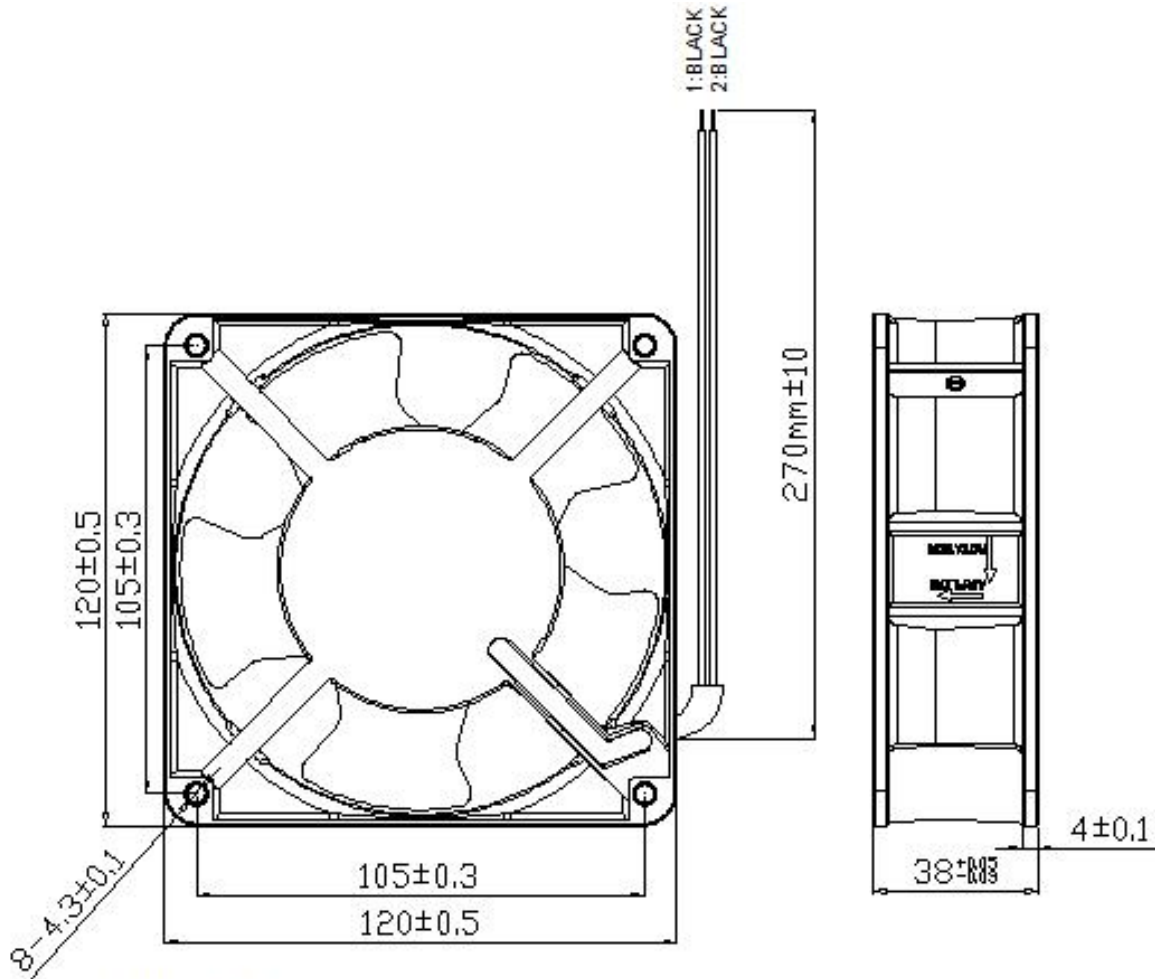
10. 性能测试图/Performance chart



东莞市翔跃电机有限公司

DONGGUANSHIXIANGYUEJIDIAN CO., LTD

外观尺寸图/Outline Dimension



NOTES:

1. LEAD WIRE UL1007 20AWG
PIN1: BLACK WIRE
PIN2: BLACK WIRE
2. HOUSING: NO