



东莞市翔跃机电有限公司

DONGGUANSHIXIANGYUEJIDIAN CO., LTD

产品规格书

APPROVAL SHEET

客户/CUSTOMER: _____

客户编码/CUSTOMER P/N: _____

产品名称/DESCRIPTION: **DC FAN**

翔跃编码/SOMREAL No: **XY12038B24A**

时间/DATE: **2023-2-10**

版本/ RD REV: **A**

样品编号/SAMPLE NO: _____

客户承认 CUSTOMER APPROVED BY
请在该承认栏内签章 Please confirm your Acceptance of this approval sheet

APPROVED BY	CHECKED BY	DRAWING BY
	赖 斌	赖 斌 / 2023-2-10

地址: 东莞市高埗镇塘厦工业区创富街5号

DONGGUANSHIXIANGYUEJIDIAN CO., LTD

Web: www.xiangyuejidian.com

Call: 86-0769-22672666

Fax: 86-0769-22680880



东莞市翔跃机电有限公司

DONGGUANSHIXIANGYUEJIDIAN CO., LTD

产品规格书
APPROVAL SHEET

A.一般规格/General Specification

项目/ITEM		规格.条件/Specification Condition		
1	型号/Part NO.	XY12038B		
2	外型尺寸/Dimension	120*120*38mm		
3	额定电压/Rated Voltage	24VDC		
4	启动电压/Start-up Voltage	6VDC	25°C Switch power ON/OFF	
5	操作电压/Operating Voltage	12-25.8VDC		
6	额定转速/Rated Speed (范围/range)	3000rpm	±10%	a.额定电压/Rated Voltage b.25°C 65%RH c.Measured after 3 Mins
7	额定电流/Rated Current	0.25A	±10%	
8	额定功率/Rated Power	6.0W		
9	风量/Air Flow	127.8CFM		a.额定电压/Rated Voltage b.额定转速/Rated Speed c. 通风无障碍/Free Air
10	静压/Static Pressure	9.27mmH2O		
11	预期寿命/Life Expectancy:	50000HRS (25°C相对湿度 15% -65%RH)		a.额定电压/Rated Voltage b.环境温度湿度 /Environmental temperature humidity: -10°C~70°C / 65%RH MAX.
12	噪音级/Noise Level	36dB MAX.		E.噪音测试条件/ Noise Test Condition
13	马达极数/No. of Polar	4极/Poles		
14	回转方向/Rotating Direction	顺时针/Clockwise (从叶轮表面的方向/From the direction of impeller surface)		
15	安全规格/Safety	<input checked="" type="checkbox"/> CE	<input type="checkbox"/> UL	<input type="checkbox"/> TUV



东莞市翔跃机电有限公司

DONGGUANSHIXIANGYUEJIDIAN CO., LTD

产品规格书

APPROVAL SHEET

B.电气规格/Electrical Specification

项目/ITEM		规格.条件/Specification Condition	
1	锁定扇叶保护功能 Locked Rotor Protection	<input checked="" type="checkbox"/> 额定电压, 锁住扇叶1秒, 自动断电后, 2~6秒后尝试启动 / Power off after locked at rated voltage for 1 sec after auto power off, circuit attempt restart in 2 to 6sec	
2	极性保护 Polarity Protection	<input checked="" type="checkbox"/> Vcc与GND反接时, 不导通 / Open circuit when Vcc&GND are exchanged	
		<input type="checkbox"/> Vcc与GND反接时, 5秒内不烧毁 / Circuit won't be burned within 5 seconds when Vcc&GND are exchanged	
		<input type="checkbox"/> 无反接保护/No.Polarity protection	
3	绝缘阻抗 Insulation Resistance	10MΩ裸线与外框间测量,500VDC/min 10MΩ between unshielded wire and frame at 500VDC/min	
4	绝缘耐压 Dielectric Strength	5mA Max / 裸线与外框间测量, 500VAC/min 5mA Max / Measured b/w lead wire(+)and frame at 500VAC/min	
5	特殊功能 Special Function	<input checked="" type="checkbox"/> 转速缓升/Speed rise slowly	<input type="checkbox"/> 恒定转速/Keep a constant speed

C.主要材料规格/ Main material Specification

项目/ITEM		规格.条件/Specification Condition			
1	外框材质/Frame	<input checked="" type="checkbox"/> PBT of ROHS		<input type="checkbox"/> Die-cast aluminum alloy	
2	扇叶材质/Impeller	<input checked="" type="checkbox"/> PBT of ROHS		<input type="checkbox"/> Steel	
3	绝缘套/ Bobbin	<input checked="" type="checkbox"/> PBT of UL94V-0 ROHS			
4	轴 承/Bearing	<input checked="" type="checkbox"/> 双滚珠轴承/Two Ball Bearing		<input type="checkbox"/> 含油轴承/Sleeve Bearing	
5	线材/ Lead wire	<input checked="" type="checkbox"/> Black(-)	<input checked="" type="checkbox"/> Black (+)	<input checked="" type="checkbox"/> Yellow(FG)	1007 24AWG
		<input type="checkbox"/> Blue(PWM)	<input type="checkbox"/> White(RD)	框外200±10mm	
6	端子连接器/Connector	无/N0			
7	套 管/Tube	无/N0			
8	防护处理 / IP Rating	无/N0			
9	整机重量/ Weight	≈290g			

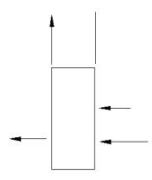
D.环境规范/ Environmental Specification

项目/ITEM		规格.条件/Specification Condition
1	工作温度/Operating temperature	-20°C~70°C
2	存储温度/Storage temperature	-30°C~75°C
3	工作湿度/Operating Humidity	5% TO 90% RH
4	存储湿度/Storage Humidity	5% TO 95% RH
5	跌落试验/Drop Test	1 corner,3 edges,6 faces natural drop from 60cm high test for 30 min
6	震动实验/vibration test	packing condition:X,Y,Z 3 directions,1.1g load vibration test for 30 min

E.噪音测试条件/ Noise Test Condition

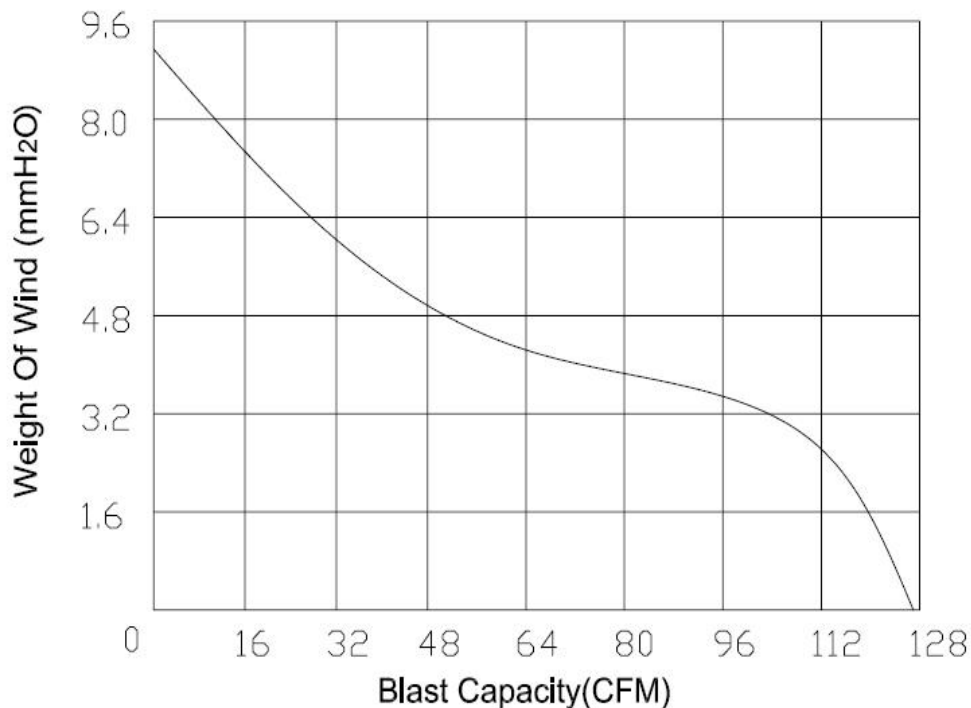
以额定电压在噪音实验室中测试背景噪音19.8 分贝 悬吊 Suspension
 At rated voltage in sound proof room 1M → 麦克风感应器
 Background noise:19.8dBA

通风状态
Free air



(对准风扇中心距离 1M) ★)
(Aim to center of the fan)

F.性能测试图/Performance chart

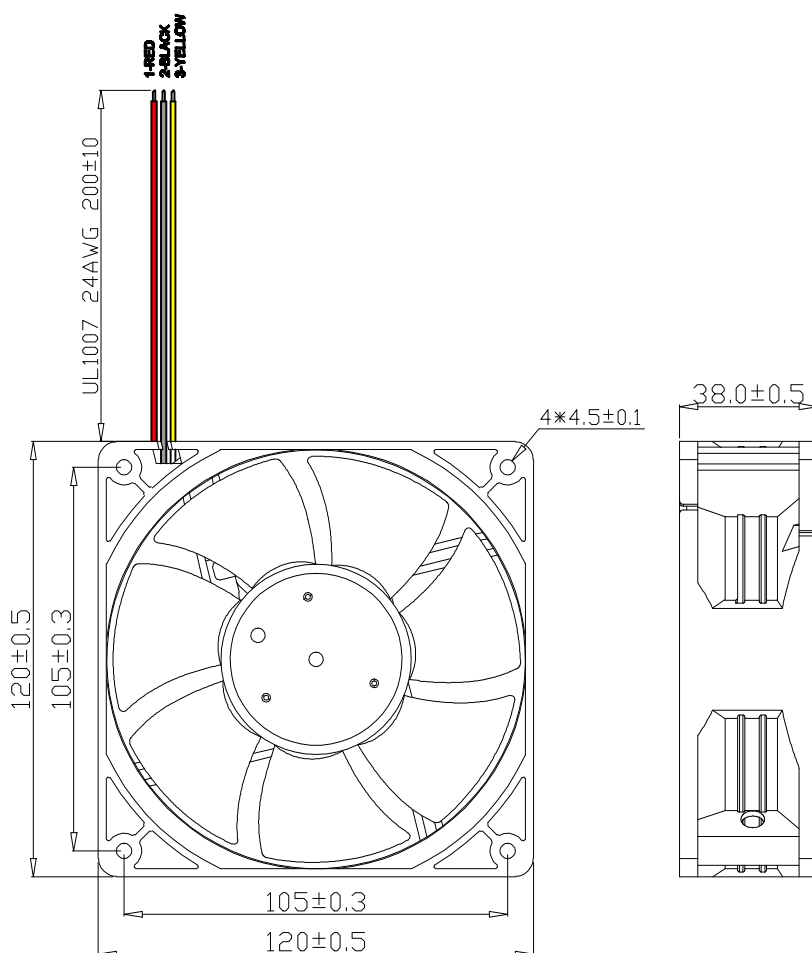




东莞市翔跃机电有限公司
DONGGUANSHIXIANGYUEJIDIAN CO., LTD

产品规格书
APPROVAL SHEET

F.外形尺寸/Outline Dimension



NOTES:

1. LEAD WIRE UL1007 24AWG
PIN1: RED WIRE — (+)
PIN2: BLACK WIRE — (-)
PIN3: YELLOW WIRE (FG)
2. HOUSING: NO/无
3. TUBE: NO/无



东莞市翔跃机电有限公司

DONGGUANSHIXIANGYUEJIDIAN CO. , LTD

产品规格书 APPROVAL SHEET

注意事项/Note:

1. 我们提供的产品应在规格书指定的条件内使用，如果您的应用超出规格极限，我们对此不保证产品质量。Our products should be used within the specification appointed condition, so we will not guarantee this product quality if your application exceeds the limitations outlined in this specification.
2. 除非事先通知我们所需求参数，否则出货产品与此份规格书一致，未在此份规格书中指定的参数与贵公司最终承认的样品相同。Product will be shipped in accordance with this specification unless we has been previously notified of parameters requiring exception , if parameters which are not specified in this specification.
3. 不适当的安装可能产生刺耳的共振，振动和噪音，安装时,请不要在安装点用力过度或用力不均以免造成振动或噪音. 在安装点装置减振器，可有效降低噪音及振动。Improper mounting may cause harsh resonance, vibration and noise. Please mount this fan motor properly without applying excessive or uneven force at the mounting points to avoid vibration and noise. Dampers at the mounting points can reduce noise and vibrations greatly.
4. 建议安装风扇保护罩，以免对人员造成意外伤害。Please use fan guards to avoid personal accidental injuries.
5. 除非IP等级中有特殊说明，否则该款风扇只能在正常环境下操作。Unless this fan motor is specified for use in abnormal environments designated by IP rating level, this fan is designed to operate under normal environmental conditions.
6. 请避免将FAN系列产品接触有毒物质 如：(有机物、氰、福尔马林、苯酚等) . 以及在腐蚀性气体环境中使用 如：(硫化氢、二氧化硫、二氧化氮等) 。Please avoid operating M-FAN's products in poisonous material(organic, cyanogens, formalin, phenol, etc.)or corrosive gas environment(H₂S, SO₂, NO₂,etc.)
7. 当风扇在灰尘环境中使用时，请在风扇进风口处安装过滤装置以延长风扇使用寿命。Please use filters to clean the air-intake in very dusty air environments for extended fan life.
8. 在保证产品性能及寿命不变，或者得以提升的条件下。除非事先约定，我们保留使用同等规格多种来源零件的权利，原材料和结构的变更不做预先通知。Unless prior agreement , We reserve the right to use components with equivalent specifications from multiple sources, so material and construction are subject to change without advance notice.
9. 请确保风扇在规定的温湿度储存环境中，如果风扇存储6个月以上，我们建议客户测试风扇功能后再使用。Always ensure that fans are stored according to the storage temperatures specified. Do not store in a high humidity environment. If the fans are stored for more than 6 months, we recommend functional testing before using.
10. 确定在连接和断开连接器之前关掉电源，避免产生电子零件短路。Make sure to turn off the power before connection or disconnecting the connectors. This may cause short of electronic parts.