

FKPC PHASE ANGLEPOWER CONTROL TRIGGER MODULE

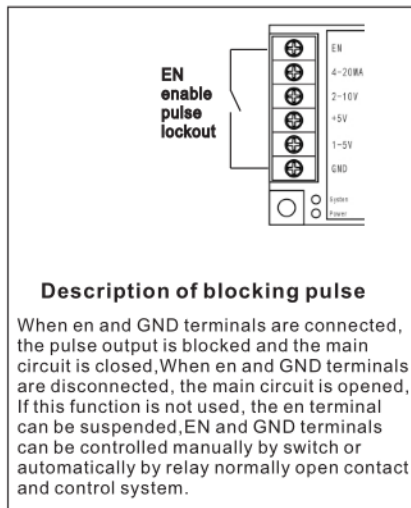
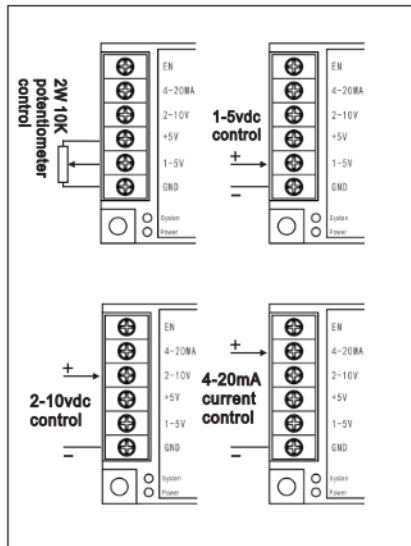
It's designed and manufactured by military grade PCB and imported single chip microcomputer, it's used to trigger thyristor to realize voltage regulation function, High degree of output linearization, low output starting point and stepless regulation of load voltage, It is used for voltage regulation on the primary side of transformer, Welding machine, temperature control, dimming, charging, excitation, electroplating, electrolysis, water treatment etc.

Product performance parameters

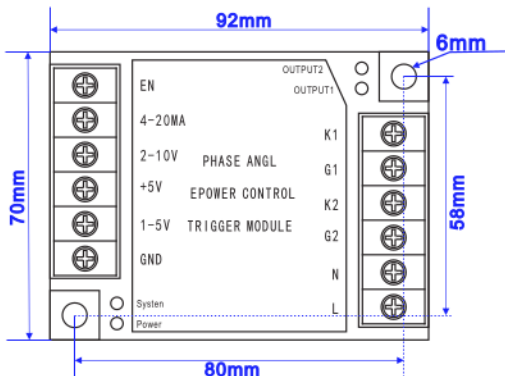
- ▶ The trigger has good waveform symmetry, control accuracy $\leq 5\%$, high linearization and stable operation.
- ▶ High trigger power, which can directly trigger thyristors within 3000A
- ▶ Multiple control signals, potentiometer (10K), dc1-5v, dc2-10v, dc4-20ma
- ▶ Novel and unique design, no phase sequence restriction, simple wiring and convenient maintenance
- ▶ The main circuit and control circuit are completely isolated, safe and reliable
- ▶ Sprayed with three proofing paint, it has superior moisture-proof, dust-proof and anti-corrosion properties
- ▶ The trigger is equipped with event or fault blocking trigger pulse function, such as blocking pulse when the equipment is started, so that the thyristor of the main circuit is completely turned off.

PHASE ANGLE POWER CONTROL TRIGGER MODULE

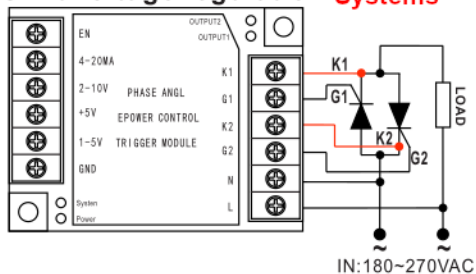
Control terminal wiring diagram



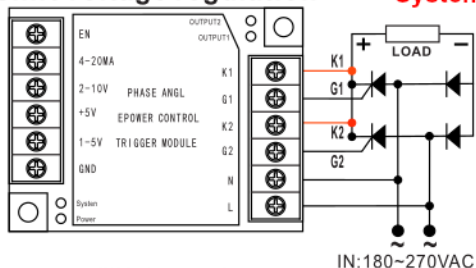
Installation dimension (92*70*32)



Single phase AC phase shift voltage regulation Systems

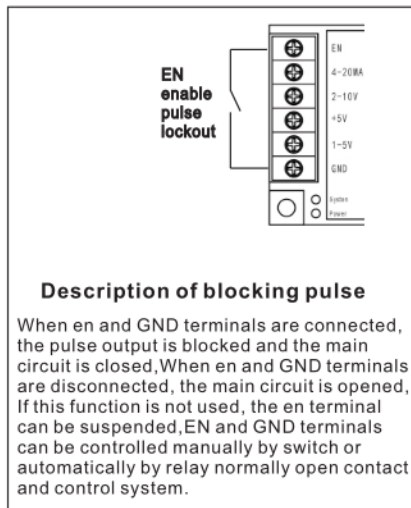
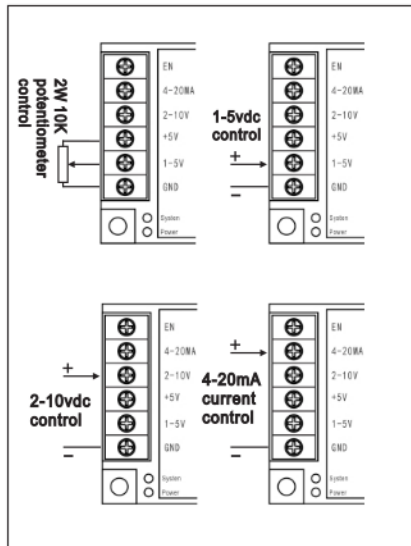


Single phase rectifier phase shift voltage regulation Systems

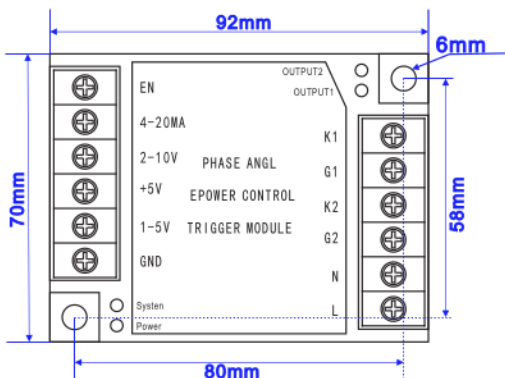


PHASE ANGLE POWER CONTROL TRIGGER MODULE

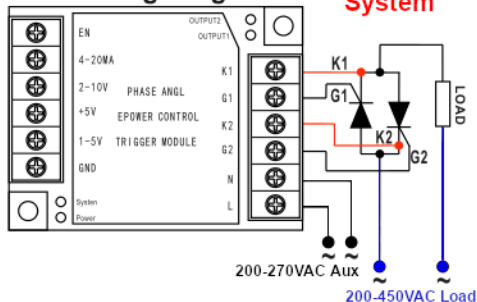
Control terminal wiring diagram



Installation dimension (92*70*32)



Single phase AC phase shift voltage regulation 400VAC System



Single phase rectifier phase shift voltage regulation 400VAC System

