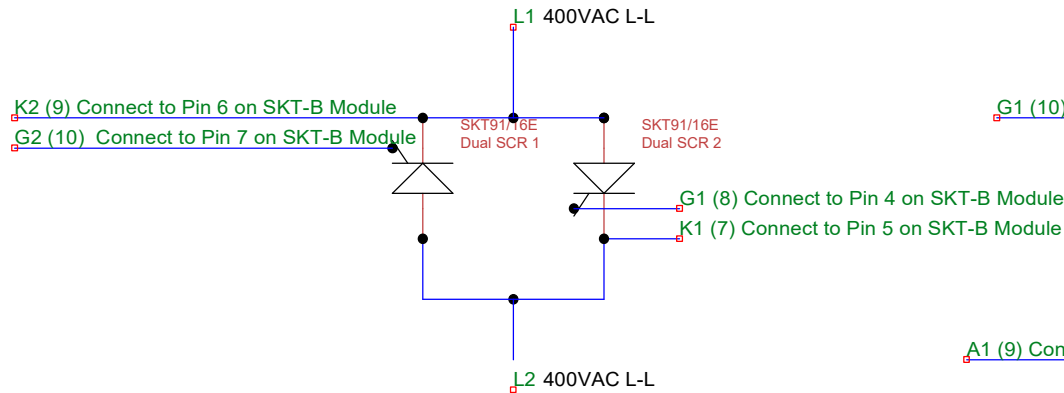
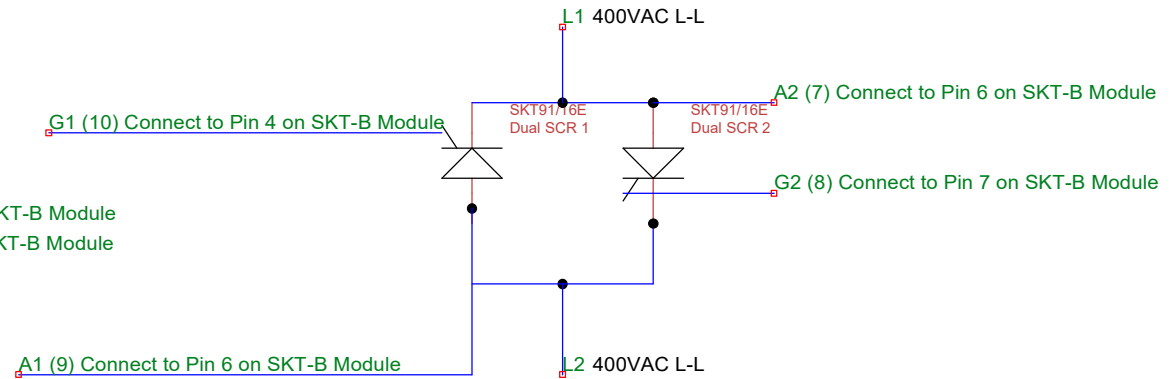


For 200-400VAC Input to SCR

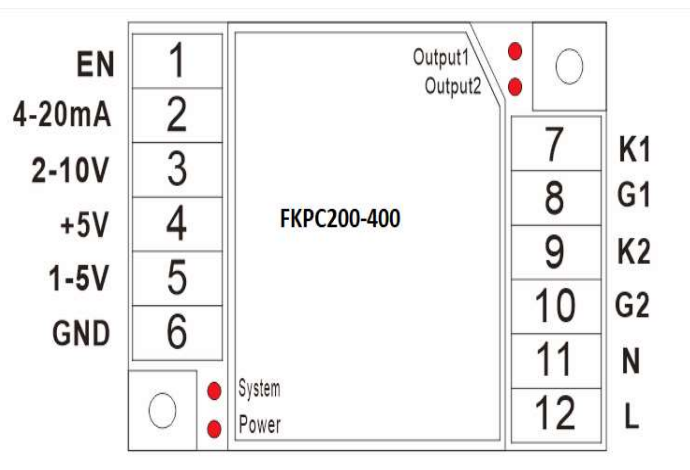
Fastron FKPC200-400



Semikron SKPC200-240



Note: L/N and K1,K2,G1,G2 must be 100% correct to have full Control



- To Change from Semikron to Fastron Unit.
- 1) Remove wire from A1 and Connect to K2
 - 2) Remove wire from A2 and Connect to K1
 - 3) All other connections the same

Title Volkman-Elmot.de Trigger Module Upgrade		
Author Fastron		
File U:\Reference Library ... AC Switch Wiring.dsn	Document	
Revision 1.0	Date 24/04/2023	Sheets 1 of 1