

● **Basic Information:**



Products Pic.	Catalog Numbers	Voltage Rating	Current Rating(A)	Withstand Voltage	Fuse sizes (mm)	Number of Poles	Weight & Packaging (g)	Notes
	VCB10-30×15	1500V DC	30	3000V AC	10×85	1	100	

Notes:

- a. Storage temperature: -40 to +70
- b. Storage humidity: 5% to 90%
- c. Work temperature: -40 to +125
- d. For indoor use
- e. Do not operate under load

● **Mechanical Dimensions:**

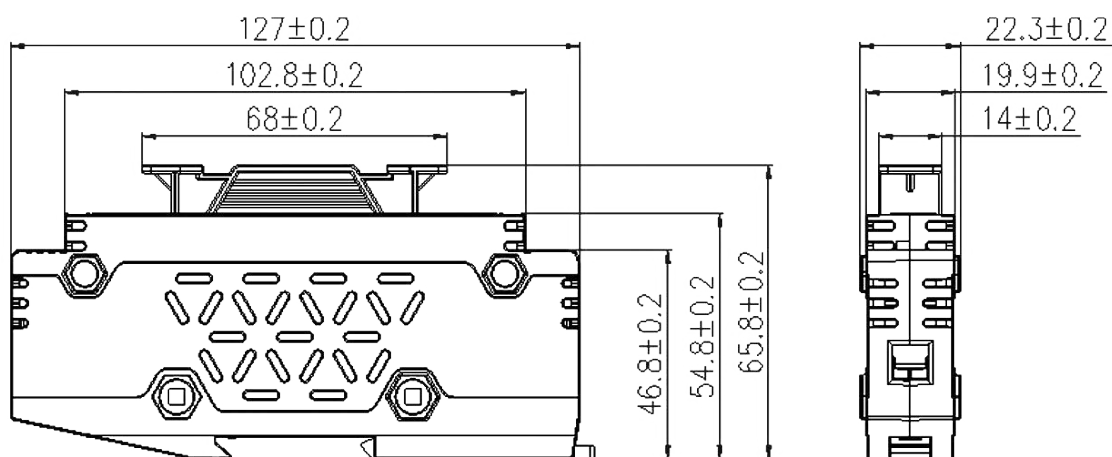


Fig.1

Catalog Numbers	Ref. Fig	Current Rating(A)	Mechanical Dimensions(mm)							
			A±2	B±2	C±1	D±1	E(Ref)	F±0.5	G±0.5	H±0.5
VCB10-30×15	1	30	shown in Fig.1							