

DC HIGH VOLTAGE EV RELAY

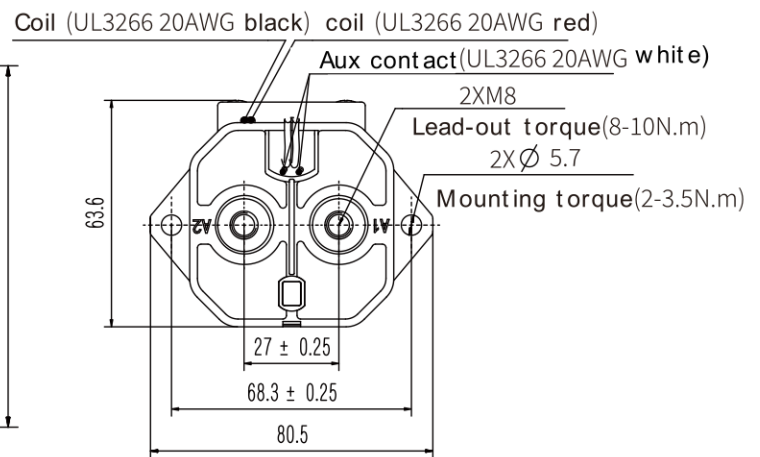
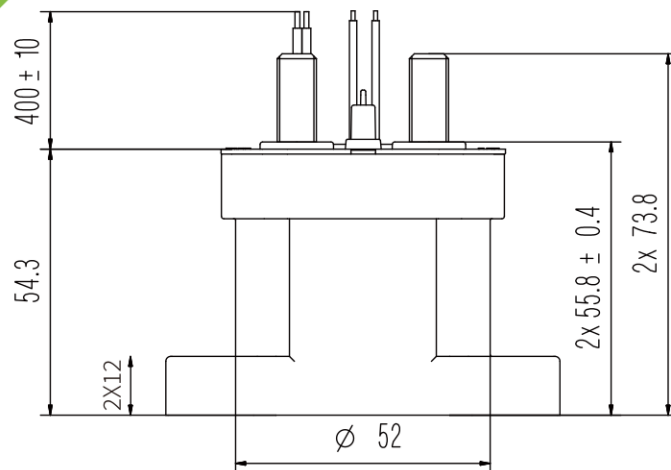
DEVD200 (Silver Contacts)



PART CODE

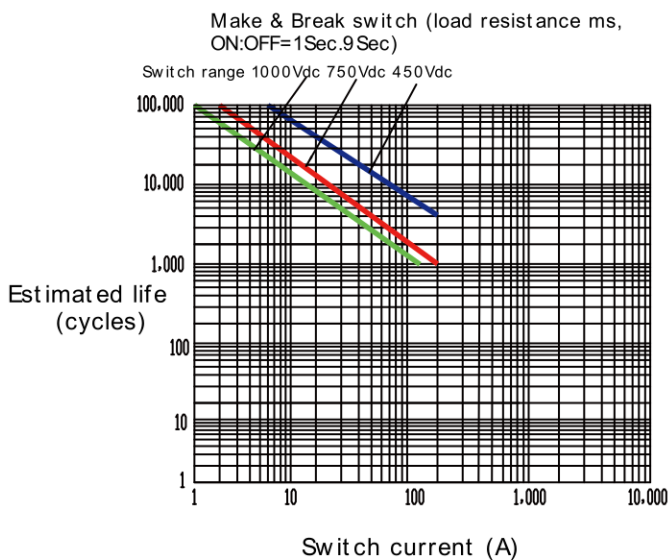
DEVD	200	G	1	DA	4
Series	Rated current: 200=200A	Contact form: G=normally open,non-polarity,aux.contact E=normally open,non-polarity	Coil volat ge: 1=12-36Vdc	Rated volt age: 12-1000Vdc	300 Outer casing

DIMENSIONS

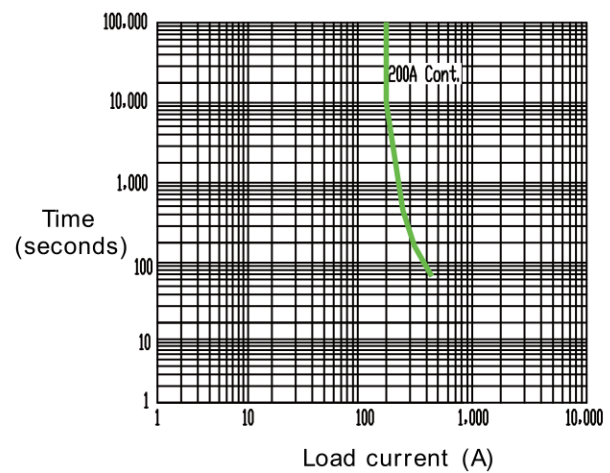


Note:1.Fastener 2xM8x8mm; 2.Mounting hardware M5,torque 2-3.5Nm;
3.Main contact hardware M8,torque 8-10Nm; 4.Main contact to cooper area $\geq 75\text{mm}^2$

Make & Break Power Switching Ratings



Capacity curves



DC HIGH VOLTAGE EV RELAY

DEVD200 (Silver Contacts)



PERFORMANCE

	TYPE	PARAMETER	
Main contact	Load current	1-200A	
	Load voltage	12~1000VDC	
	Current Endurance	200A continious/Cont.	300A 10min.
		400A 180Sec .	500A 30Sec .
	Break Current, Max, only 1 time	2000A 320Vdc.	
	Contact Resistance	≤1mΩ (at 200A)	
	Operate Time (at 20℃)	30ms Max .	
	Bounce Time (at 20℃)	5ms Max .	
Release Time (at 20℃)	10ms Max .		
Life	Mechanical Life(0.5S:0.5S)	2X10 ⁵ times	
	Electrical Life	See gragh	
	Capacity curves	See gragh	
Dielectric performance	Insulation resistance	Initial : 1000MΩ 1000V dc	
		After test : 50MΩ 1000V dc	
	Impulse withstand voltage (initial)	Between contact	
		Main contact & coil	
Mechanical performance	Shock	20G peak, 11ms 1/2z sine wave (coil energied)	
	Vibration	20G peak, 80-2000Hz , sine wave	
	Strength	50g acceleration, half sine wave impulse 6ms,30 times per axis	
Condition	Operating Ambient Temperature	-40~+85℃	
	Operating Ambient Humidity	5-95% RH.	
	Altitude	≤4000m	
Other	Weight	approx. 280g	
	Certification	UL、CE、CCC	
Aux. contact	Aux. contact	Min current:8Vdc 100mA Contact resistance:≤100mΩ ×	

COIL DATA

	Rated volatge (at 20℃)	Pick-up volatge (at 20℃)	Drop-out volatge (at 20℃)	Coil resistnece (at 20℃)	Holding Power (at 20℃)	Coil polarity
DEVD200	12-36 Vdc	≤9Vdc	≥6Vdc	3.8A	approx.2.5W	×

