



## Programmable AC Current Transducer MT418

- **TRMS AC CURRENT OR FREQUENCY MEASUREMENTS.**
- **CURRENT AUTO RANGE MEASUREMENTS UP TO 12 A.**
- FREQUENCY MEASUREMENT RANGE 16 Hz – 400 Hz.
- **AC OR UNIVERSAL WIDE AUXILIARY POWER SUPPLY RANGE.**
- **ACCURACY CLASS 0.5 (EN 60 688).**
- **SERIAL (RS232 OR RS485) COMMUNICATION.**
- **SIMPLE USB SETTING WITHOUT AUXILIARY POWER SUPPLY.**

## PROPERTIES

- Measurements of TRMS current, frequency, THD I and MD.
- Power accuracy class 0.5.
- Input frequency: 50 Hz / 60 Hz, 400 Hz.
- Serial communication (RS232 or RS485 up to 115,200 bit/s) and USB 2.0.
- MODBUS RTU communication protocol.
- Universal power supply or transformer power supply.
- Automatic range (max. 12 A).
- Housing for DIN rail mounting.
- User-friendly setting software, MiQen.

## DESCRIPTION

MT418 is intended for measuring and monitoring single-phase current or frequency. Current input is electrically isolated from the system by means of current transformer. It measures TRMS current value by means of fast sampling of current signals, which makes instruments suitable for acquisition of transient events. A built-in microcontroller calculates measurands (current, frequency, THD U, MD) from the measured signals. Measurands (I, f) can be then converted into load independent DC current or voltage which is proportional to the TRMS measured value for the purpose of regulation of analogue and / or digital devices.

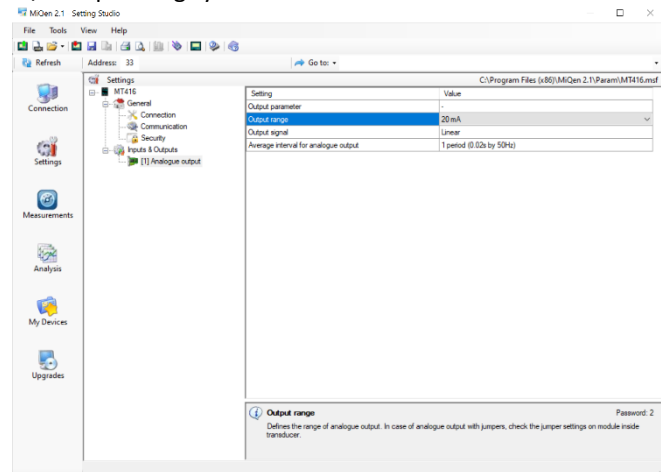
## APPLICATION

The MT418 programmable AC current transducer is used for a permanent monitoring of a single-phase current and frequency values. MT418 is delivered configured to default values. Subsequent customer configuration is possible with user friendly setting software MiQen. MT418 supports standard serial RS232/RS485 with speed up to 115200 bps. USB 2.0 can be used for a fast set-up or memory acquisition (after installation USB connection is not possible any more).

Additional USB 2.0 interface can only be used for a fast set-up without need for auxiliary power supply. This interface is NOT galvanically isolated from analogue output and can be used ONLY unconnected to aux. supply and measuring inputs.

## SETTING AND ACQUISITION

MiQen software is intended for supervision of MT418 on a PC. Network and the transducer setting, display of measured and stored values and analysis of stored data in the transducer are possible via the serial or USB communication. The information and stored measurements can be exported in standard Windows formats. Multilingual software functions on Windows 98, 2000, NT, XP, Vista, Windows 7 / 8 / 10 operating systems.



MiQen software is intended for:

- Setting all of the instruments parameters (online and offline)
- Viewing current measured readings
- Searching the net for devices
- Virtual interactive instrument
- Comprehensive help support

## COMPLIANCE WITH STANDARDS:

Standard EN	Description
61010	Safety requirements for electrical equipment for measurement, control and laboratory use
60688	Electrical measuring transducers for converting AC electrical variables into analogue and digital signals
61326-1	EMC requirements for electrical equipment for measurement, control and laboratory use - Part 1: General requirements
60529	Degrees of protection provided by enclosures (IP code)
60 068-2-1/-2/-6/-27/-30	Environmental testing (-1 Cold, -2 Dry heat, -30 Damp heat, -6 Vibration, -27 Shock)
UL 94	Tests for flammability of plastic materials for parts in devices and appliances

## TECHNICAL DATA

### Measurement input

Nominal frequency (f<sub>N</sub>) 50 / 60 Hz

### CURRENT MEASUREMENTS

Nominal values 1 A, 5 A and 10 A

Nominal current (I<sub>N</sub>) 5 A

Max. measured value 12.5 A sinusoidal

Max. allowed value (thermal) 15 A cont.

Max. allowed value 20 × I<sub>N</sub>; 5 × 1s

(acc. to EN 60 688)

Consumption < I<sup>2</sup> × 0.01 Ω

### FREQUENCY MEASUREMENT

Frequency measuring range 16 ... 400 Hz  
(Only for frequency meas.)

### SYSTEM

Current inputs can be connected either directly to low-voltage network or shall be connected to network via a corresponding current transformer (with standard 1 A or 5 A output).

For more information about different system connections see CONNECTION on page 6.

### Basic accuracy under reference conditions

Total accuracy (measurements and analogue output) according to EN 60 688.

Accuracy is presented as percentage of measurands nominal value except when it is stated as an absolute value. Presented accuracy is valid only for a full output range. In case if used output range is less than full output range (zoom-characteristics) see Intrinsic-error on page 5. Defined accuracy of analogue output is valid only after 45 minutes after power up, due to self-heating.

Measurand	Accuracy ( ± % of range )	
Current Trms	0.5	0.2 <sup>(1)</sup>
Frequency (f)	10 mHz	2 mHz <sup>(1)</sup>
THD (I) (0 ... 400 %)	0.5	

<sup>(1)</sup> On Communication

### Communication

MT418 has one galvanic separated communication port, which can be equipped with RS232 or RS485 or left open (to be specified with order).

Different configurations are possible (to be specified with order):

Configuration	COM
WO	USB <sup>(2)</sup>
RS232	RS232 + USB <sup>(2)</sup>
RS485	RS485 + USB <sup>(2)</sup>

<sup>(2)</sup> Please read WARNING below

Serial communication:	RS232	RS485
Connection type	Direct	Network
Connection terminals	Screw terminals	
Function	Settings, measurements and firmware upgrade	
Insulation	Protection class I, 3.3 kV <sub>ACTRMS</sub> 1 min	
Max. connection length	3 m	1000 m
Transfer mode	Asynchronous	
Protocol	MODBUS RTU	
Transfer rate	2.4 kBaud to 115.2 kBaud	
Default settings	#33 \ 11520 \ N \ 8 \ 2	
Number of bus stations	/	≤ 32

Additionally, MT418 has a USB communication port, located on the bottom, behind removable cap. When connected to this communication port MT418 is powered by USB.

### WARNING:

USB communication port is NOT galvanically isolated and can ONLY be used unconnected to aux. supply AND measuring inputs.

After installation of instrument on DIN rail, USB port is not accessible any more.

**USB:**

Connection type	Direct
Connection terminal	USB-mini
Max. connection length	3 m
Function	Settings and records acquisition, firmware upgrade
Isolation	None, directly coupled with analogue output
Transfer mode	Asynchronous
Protocol	MODBUS RTU
Transfer rate	USB 2.0
	USB communication port is NOT galvanically isolated and can ONLY be used unconnected to aux. supply AND measuring inputs.

The USB cover should not remain open. It should be closed immediately after the initial setting through USB port was done and should remain closed during all time of storing & operation. If unit operates without USB cover the warranty is void.

### Output module

#### ANALOGUE OUTPUT

Each of up to one unipolar analogue output is fully programmable and can be set to any of 6 full-scale ranges (4 current and 2 voltage) without opening an instrument. They all use the same output terminals.

#### Programmable DC current output:

Output range (0 ... 100 %)

0 ... 1 mA	Range 1
0 ... 5 mA	Range 2
0 ... 10 mA	Range 3
0 ... 20 mA	Range 4
other ranges possible	by MiQen software

Max. burden voltage	10 V
External resistance	$R_{B\max} = 10\text{ V} / I_{\text{outN}}$

#### Programmable DC voltage output:

Output range (0 ... 100 %)

0 ... 1 V	Range 5
0 ... 10 V	Range 6
Other ranges possible	By MiQen software

Max. burden current	20 mA
External resistance	$R_{B\min} = U_{\text{outN}} / 10\text{ mA}$

**General:**

Max. current on output (short circuit voltage output)	33 mA
Linearization	Linear, Quadratic
No. of break points	5
Output value limits	$\pm 120\%$ of nominal output
Response time <sup>(3)</sup> (measurement and analogue output)	< 100 ms
Response time of fast analogue output <sup>(3)</sup>	$\leq 50\text{ ms}$
Residual ripple	< 1 % p.p.
Residual ripple of fast analogue output	< 2 % p.p.

<sup>(3)</sup> Response time for frequency is:

Typical:	300 ms
Max; (freq. change > 10 Hz):	3000 ms

The output may be either short or open-circuited. It is electrically isolated from all other circuits.

All output range values can be altered subsequently (zoom scale) using the setting software with a supplementary error (see Intrinsic-error on page 5).

### Aux power supply

Universal power supply	
Nominal voltage AC range	48 ... 276 V
Nominal frequency range	45 ... 65 Hz
Nominal voltage DC range	20 ... 300 V
Consumption	< 5 VA
Power-on transient current	< 20 A; 1 ms

#### TRANSFORMER POWER SUPPLY

Nominal voltage AC	110 V, 230 V
Nominal frequency range	45 ... 65 Hz
Consumption	< 5 VA

#### SAFETY

Protection:	protection class II
Pollution degree	2
Installation category	CAT III; 600 V <sub>⊥</sub> meas. Inputs Universal aux. power supply CAT III; 300 V <sub>⊥</sub> Transformer aux. power supply CAT III; 600 V <sub>⊥</sub> aux. AC supply Acc. to EN 61010-1
Test voltages	I Input↔Output, U <sub>AUX</sub> , COM: 5200 V <sub>ACTRMS</sub> Transformer aux. power supply U <sub>AUX</sub> ↔Output: COM: 5200 V <sub>ACTRMS</sub> Universal aux. power supply 3500 V <sub>ACTRMS</sub> Output↔COM 500 V <sub>ACTRMS</sub>
Enclosure material	PC / ABS Acc. to UL 94 V-0
Enclosure protection	IP20



**MECHANICAL**

Dimensions	W45 × H75 × D105 mm
Mounting	Rail mounting 35 × 15 mm acc. to DIN EN 50 022
Enclosure material	PC / ABS
Vibration withstand	0.7 g, 3 ... 100 Hz, 1 oct / min 10 cycles in each of three axes
Shock withstand	300 g, 8 ms pulse 6 shocks in each of three axes
Flammability	Acc. to UL 94 V-0
Weight	Transformer aux.power supply 370 g Universal aux.power supply 170 g
Enclosure protection	IP 20

**ENVIRONMENTAL CONDITIONS**

Ambient temperature	usage group II 0 ... <u>15...30</u> ... 45 °C Acc. to IEC / EN 60 688
Operating temperature	- 30 to + 70 °C
Storage temperature	- 40 to +70 °C
Temperature coefficient	± 0.1 % per 10 °C
Average annual humidity	≤ 93 % r.h.
Altitude	≤ 2000 m

**REFERENCE CONDITIONS**

Ambient temperature	0 ... 45 °C
Relative humidity	≤ 93 % r.h.
Current input	0.31 ... 5 A
Frequency	45 ... 65 Hz
Waveform	Sinus

**INTRINSIC-ERROR (FOR ANALOGUE OUTPUT)**

For intrinsic-error for analogue output with bent or linear-zoom characteristic multiply accuracy class with correction factor (c). Correction factor c (the highest value applies):

Linear characteristic:

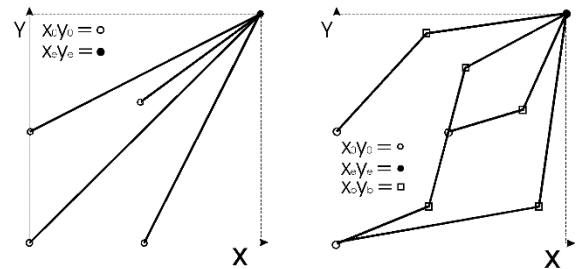
$$c = \frac{1 - \frac{y_0}{y_e}}{1 - \frac{x_0}{x_e}} \quad \text{or} \quad c = 1$$

Bent characteristic:

$$x_{b-1} \leq x \leq x_b$$

b – number of break point (1 to 5)

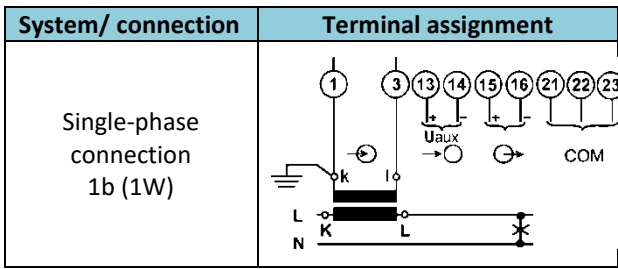
$$c = \frac{y_b - y_{b-1}}{x_b - x_{b-1}} \cdot \frac{x_e}{y_e} \quad \text{or} \quad c = 1$$



--- Limit of the output range

Examples of settings with linear and bent characteristic.

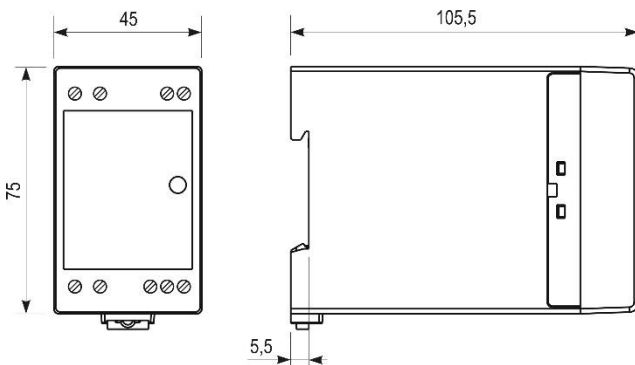
**CONNECTION**



**CONNECTION TABLE**

Function		Connection	
Measuring input	AC current	$I \omega$	1/3
Analogue output		$+ \omega$	15
		$- \omega$	16
Auxiliary power supply		+ / AC	13
		- / AC	14
Communication	RS232/RS485	Rx / A	21
		GND / C	22
		Tx / B	23

**DIMENSIONAL DRAWING**



Dimensions for MT418.

**DATA FOR ORDERING**

When ordering MT418, all required specifications should be stated in compliance with the ordering code. Additional information could be stated regarding functionality of analogue outputs. Default settings for analogue output provided that no ordering information is given will be:

Input quantity	Output quantity
lin: 0 ... 5 A	lout: 0 ... 20 mA

If different analogue output settings are required, a proper input quantity / output quantity pair for each analogue output should be provided.

**EXAMPLE OF ORDERING**

Example of ordering code for MT418: Nominal frequency 45 ... 65 Hz; High power supply; Without communication COM1; Analogue output; Standard finish.

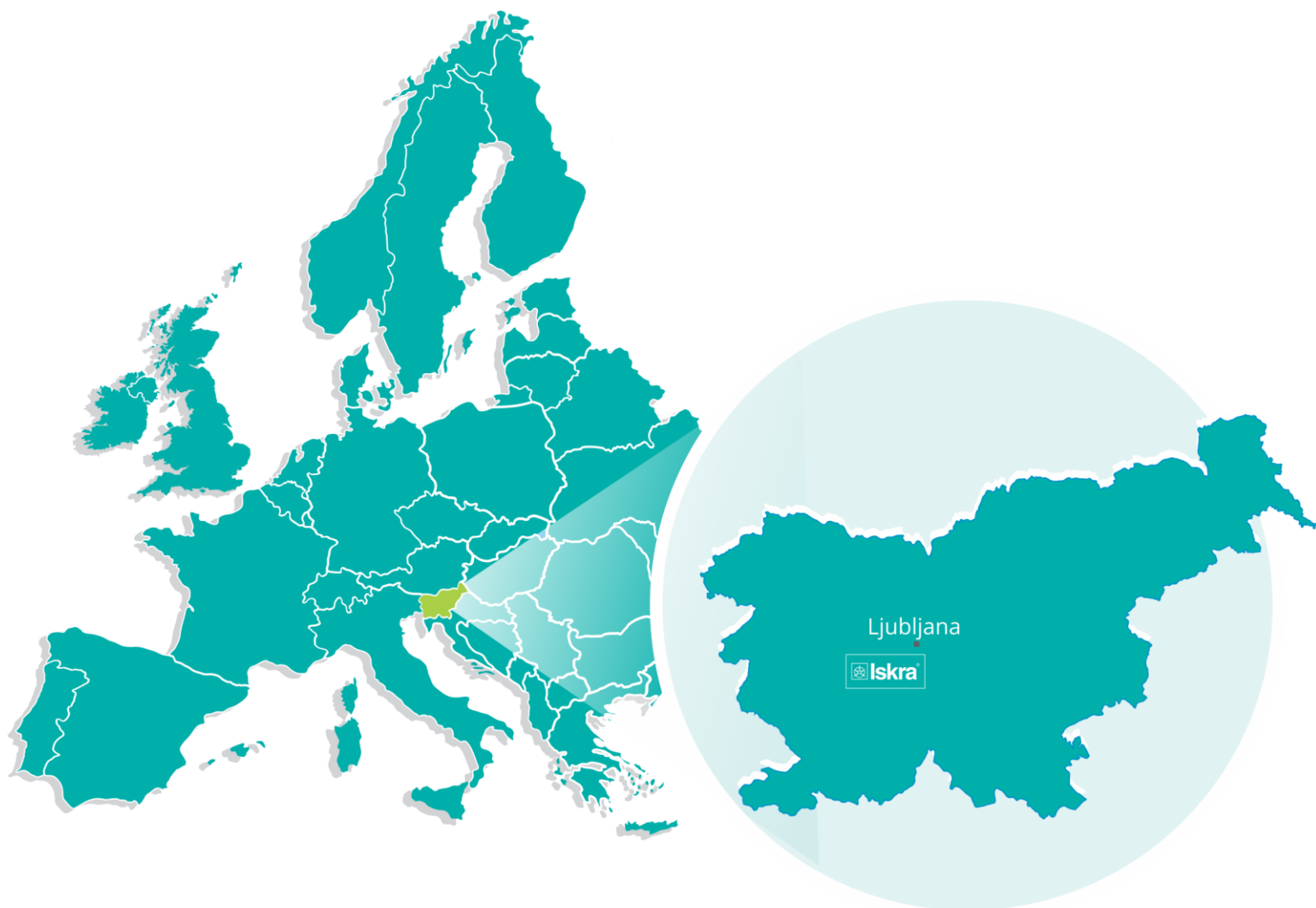
**MT418 S U N H A**

**General ordering code**

All specifications are obligatory except function of analogue output(s), which should be stated in a form of description.

Type	Nominal Frequency	Power supply	Communication (COM1)	Output	Finish
MT418	X	X	X	X	X
					A Standard *
					H HVE (Tropical Seal)
				A	Analogue output *
				H	Analogue output (Fast)
			S		RS232
			D		RS485
			N		Without *
		U			20 ... 300 V DC, 48 ... 276 V AC *
		D			110 V AC
		E			230 V AC
	S				45 ... 65 Hz *
	A				400 Hz

\* - standard



**Iskra, d.o.o.**  
**BU Ljubljana**

Stegne 21  
SI-1000, Ljubljana  
Phone: +386 1 513 10 00

**Iskra, d.o.o.**  
**BU Capacitors**

Vajdova ulica 71  
SI-8333, Semič  
Phone: +386 7 38 49 200

**Iskra, d.o.o.**  
**BU MIS**

Ljubljanska c. 24a  
SI-4000, Kranj  
Phone: +386 4 237 21 12

**Iskra, d.o.o.**  
**BU Batteries & Potentiometers**

Šentvid pri Stični 108  
SI-1296, Šentvid pri Stični  
Phone: +386 1 780 08 00

**Iskra, d.o.o.**  
**BU Electroplating**

Glinek 5  
SI-1291, Škofljica  
Phone: +386 1 366 80 50

**Iskra IP, d.o.o.**

Vajdova ulica 71  
SI-8333, Semič  
Phone: +386 7 384 94 54

**Iskra STIK, d.o.o.**

Ljubljanska cesta 24a  
SI-4000, Kranj  
Phone: +386 4 237 22 33

**Iskra Lotrič, d.o.o.**

Ljubljanska c. 24a  
SI-4000, Kranj  
Phone: +386 4 237 21 12

**Iskra ODM, d.o.o.**

Ljubljanska c. 24a  
SI-4000, Kranj  
Phone: +386 4 237 21 12

**Iskra Tela L, d.o.o.**

Omladinska 66  
78250, Laktaši  
Phone: +387 51 535 890

**Iskra Sistemi - M dooel**

Ul, Dame Gruev br. 16/5 kat  
1000, Skopje  
Phone: +389 75 444 498

**Iskra Commerce, d.o.o.**

Hadži Nikole Živkoviča br. 2  
11000, Beograd  
Phone: +381 11 328 10 41

**Iskra Hong Kong Ltd.**

33 Canton Road, T.S.T.  
1705, China HK City  
Phone: +852 273 00 917



**Iskra, d.o.o.**  
Stegne 21  
SI-1000 Ljubljana, Slovenia

Phone: +386 (0) 1 513 10 00  
[www.iskra.eu](http://www.iskra.eu)