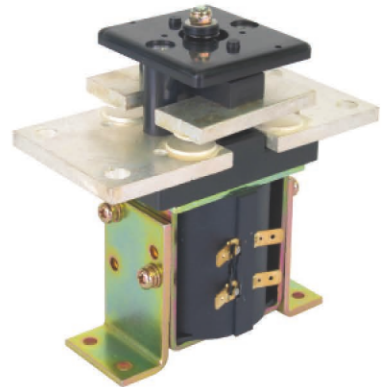




CTS800 Series

CTS600A, 800A



CTS800 Series

⚙️ (Magnet coil ratings)

Nominal	Item	Nominal current (mA)	Coil resistance (Ω)	Pull-in voltage (V)	Drop-out voltage (V)	Max. voltage (V)	Coil power(W) dissipation
DC	100	145	690	70% max.	10% min.	110%	13 to 20
	60	245	245				
	48	305	157				
	24	600	40				
	12	1,225	9.8				
	6	2,400	2.5				

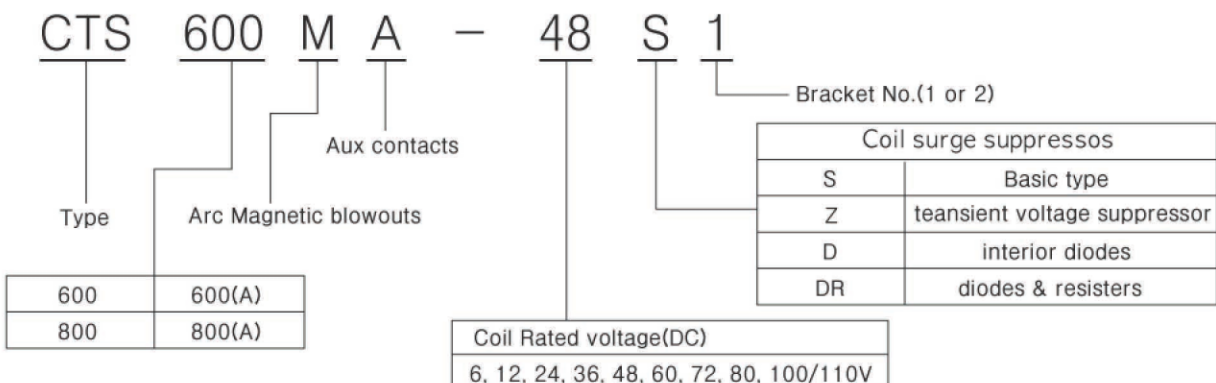
- Notes : 1. Nominal current and coil resistance are measured at +20°C.
 2. Differences of coil resistance are ±10%.
 3. Performance characteristic coil temperature is measured at 20°C.

⚙️ (Contact ratings)

(60VDC)

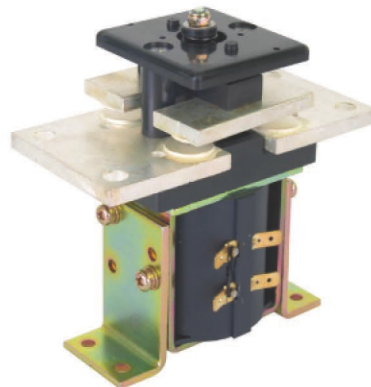
Item	Type	1Pole Resistive load (cosφ = 1)	
		CTS600	CTS800
Carry current		600A	800A
Max. switching current		600A	800A
Max. switching capacity		36,000W	48,000W
Voltage drop across contacts per 100A		15mv max.	15mv max
Description		S.P On/Off	

⚙️ (Ordering information)

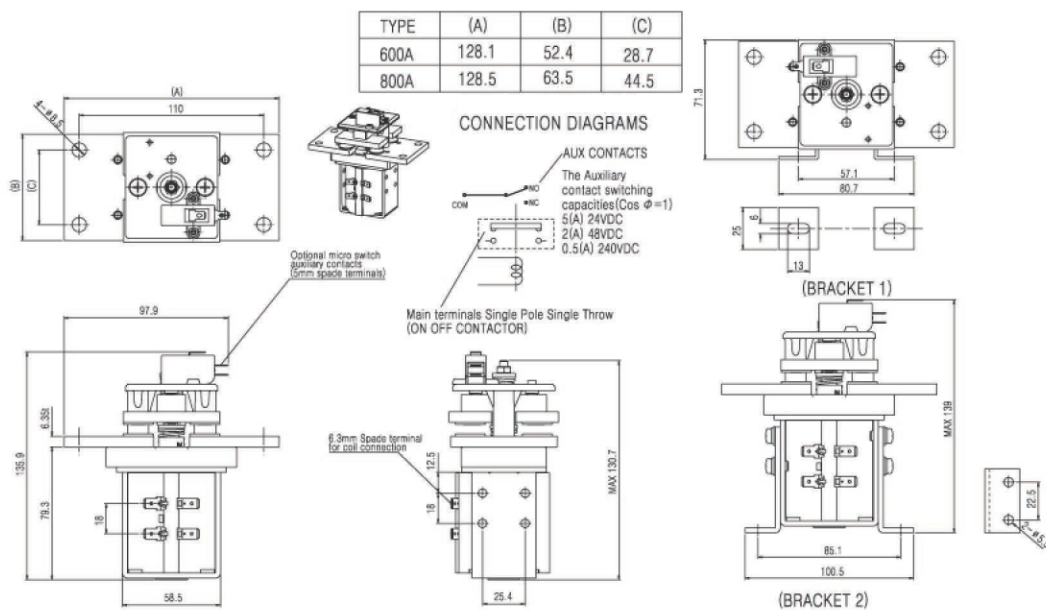


CTS800 Series

CTS600A, 800A



⌘ (Dimension in mm)



⌘ (Contact performance curve)

Max. continuous thermal current rating (amperes)

