



# CTS125 Series

CTS060, 080, 100, 125



CTS125 Series

### ⚙️ (Magnet coil ratings)

Nominal voltage(V)	Item	Nominal current (mA)	Coil resistance (Ω)	Pull-in voltage (V)	Drop-out voltage (V)	Max. voltage (V)	Coil power(W) dissipation
DC	100	67	1,500	70% max.	10% min.	110%	6 to 8
	60	113	530				
	48	140	340				
	24	282	85				
	12	570	21				
	6	1150	5.2				

Notes : 1. Nominal current and coil resistance are measured at +20°C.  
 2. Differences of coil resistance are ±10%.  
 3. Performance characteristic coil temperature is measured at 20°C.

### ⚙️ (Contact ratings)

(60VDC기준)

Item	Type	1Pole Resistive load (cosφ = 1)			
		CTS060	CTS080	CTS100	CTS125
Max. switching current		60A	80A	100A	125A
Max. switching voltages(With blowouts type)		250VDC	250VDC	250VDC	250VDC
Max. switching voltages(Without blowouts type)		60VDC	60VDC	60VDC	60VDC
Voltage drop across contacts per 100A		40mV max.			
Description		S.P On/Off			

### ⚙️ (Ordering information)

CTS 125 M A - 48 S

Type

60	60(A)
80	80(A)
100	100(A)
125	125(A)

Arc Magnetic blowouts

Aux contacts

Coil Rated voltage(DC)

6, 12, 24, 36, 48, 60, 72, 80, 100/110V
-----------------------------------------

Coil surge suppressors

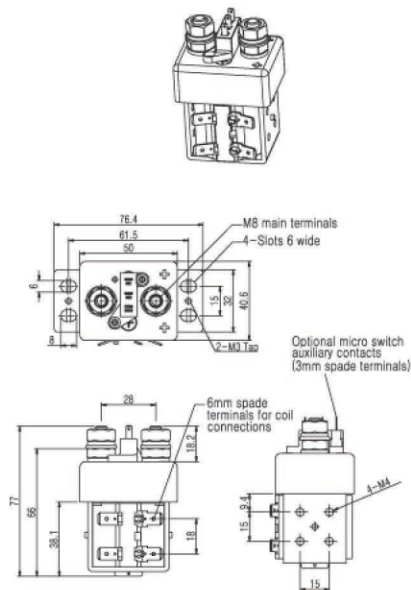
S	Basic type
Z	transient voltage suppressor
D	interior diodes
DR	diodes & resisters

## CTS125 Series

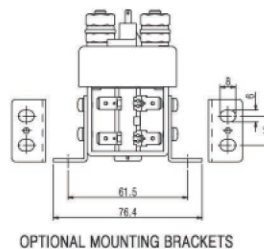
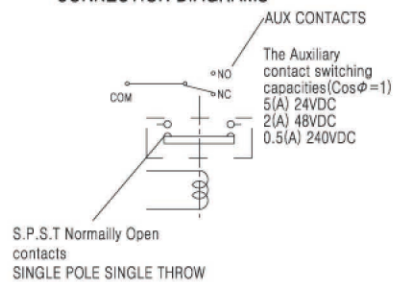
CTS060, 080, 100, 125



### ⌘ (Dimension in mm)



### CONNECTION DIAGRAMS



### ⌘ (Contact performance curve)

