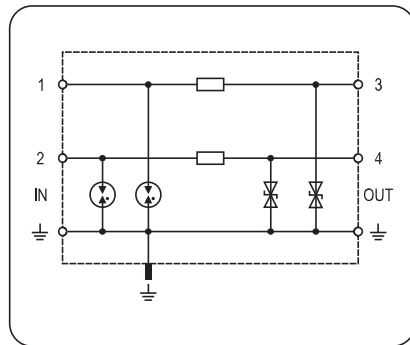
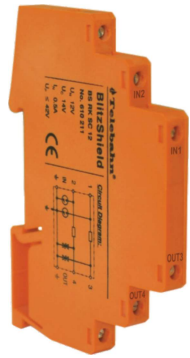


## BS RK SC 12

Basic circuit diagram:



### • Technical data

Type		BS RK SC 12
Art.-No.		610 211
Nominal voltage	$U_N$	12V
Rated voltage (max. continuous voltage)	$U_C$	14V- / 9,5V~
Nominal voltage	$I_L$	0.5A
Nominal discharge current (8/20)	$I_n$	5kA (per line) 10kA (total)
Voltage protection level at $I_n$	$U_o$	≤ 55V (line-line) ≤ 40V (line-PG)
Voltage protection level at 1kV/μs	$U_o$	≤ 36V (line-line) ≤ 19V (line-PG)
Response time	$t_A$	≤ 1ns (line-line) ≤ 1ns (line-PG)
Bandwidth	$f_G$	2.5MHz (line-PG)
Series impedance per line	R	1.8Ω
Capacitance	C	≤ 1.2nF (line-line) ≤ 2.4nF (line-PG)
Operating temperature range		-40°C...+80°C
Cross-sectional area		Max. 2.5mm <sup>2</sup> flexible
Mounting on		35mm DIN rail
Enclosure material		Orange thermoplastic, UL94-V0
Test standards		IEC 61643-21; GB 18802.21; YD/T 1542.
Certification		CE(LVD,EMC)

### • Product introduction

#### 1. Summary

BS RK SC 12 is installed at LPZ 0<sub>b</sub>-2 or higher. Applied in measuring and controlling system, providing coarse and fine protection. Designed according to IEC 61643-21; GB 18802.21; YD/T 1542.

#### 2. Main character

- Small size, only 6mm wide module
- Connected to earth by DIN rail or earth terminal

#### 3. Application

BS RK SC 12 is used in industry controlling system, measuring system and controlling devices and so on.

#### 4. Application environment

- Temperature: -40°C ~ +80°C
- Relative humidity: ≤ 95% (25°C)

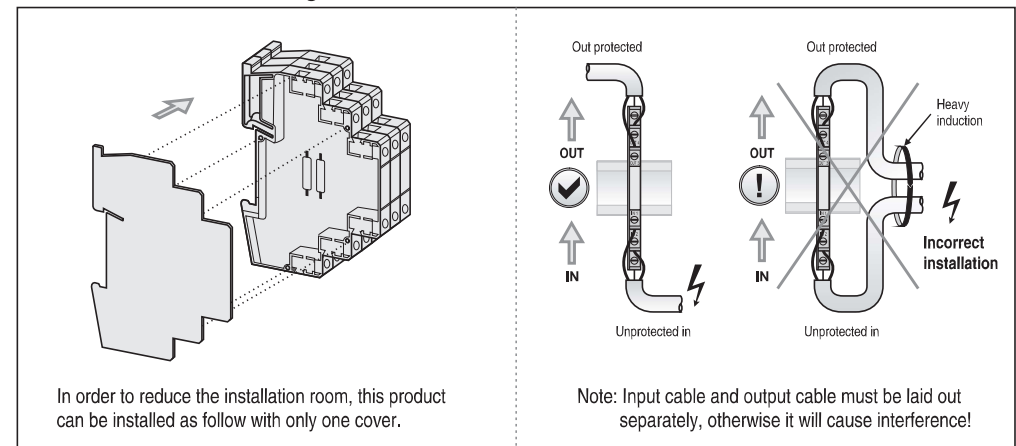
### • Installation instruction

1. This product is connected in series to the protected device.
2. Mount the SPD on 35 mm DIN rail.
3. The out terminal should be connected to the protected devices.
4. There is a earthing terminal in each side, and it is recommended to use the one in input side; earth lead must be connected to the earthing system, ideally using 2.5mm<sup>2</sup> cable. The cable should be as short as possible.
5. After above, you should ensure the circuit is functioning.

**Regularly inspect the operating status, especially after lightning.**

**Once the communication is off, electrician should check/replace the SPD.**

#### BS RK SC 12 installation diagram:



	<b>WARNING:</b>
	<ol style="list-style-type: none"> <li>1. The device must be installed by electrically skilled person, conforming to national standards and safety regulations.</li> <li>2. It is recommended that installation should be done under power off condition.</li> </ol>