

SPECIFICATION FOR APPROVAL

Client: _____

Client's P/N: _____

Part Series: AC Filter Capacitors _____

Type and Spec.: WAS-33 μ F \pm 10%-600VAC _____

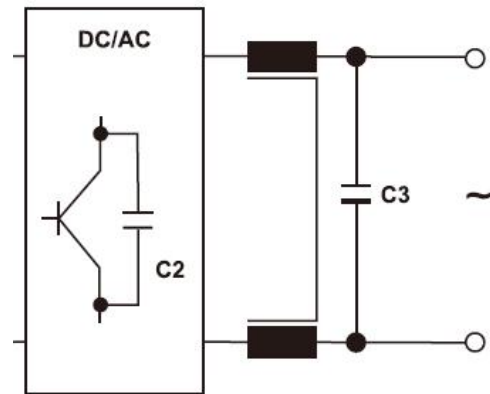
Walson's P/N: CASU1336K6501B6 _____

Document No.: SP24012201EN _____

Version	Change description	Date
A/0	New issue	Jan.22, 2024

■ Features and Applications

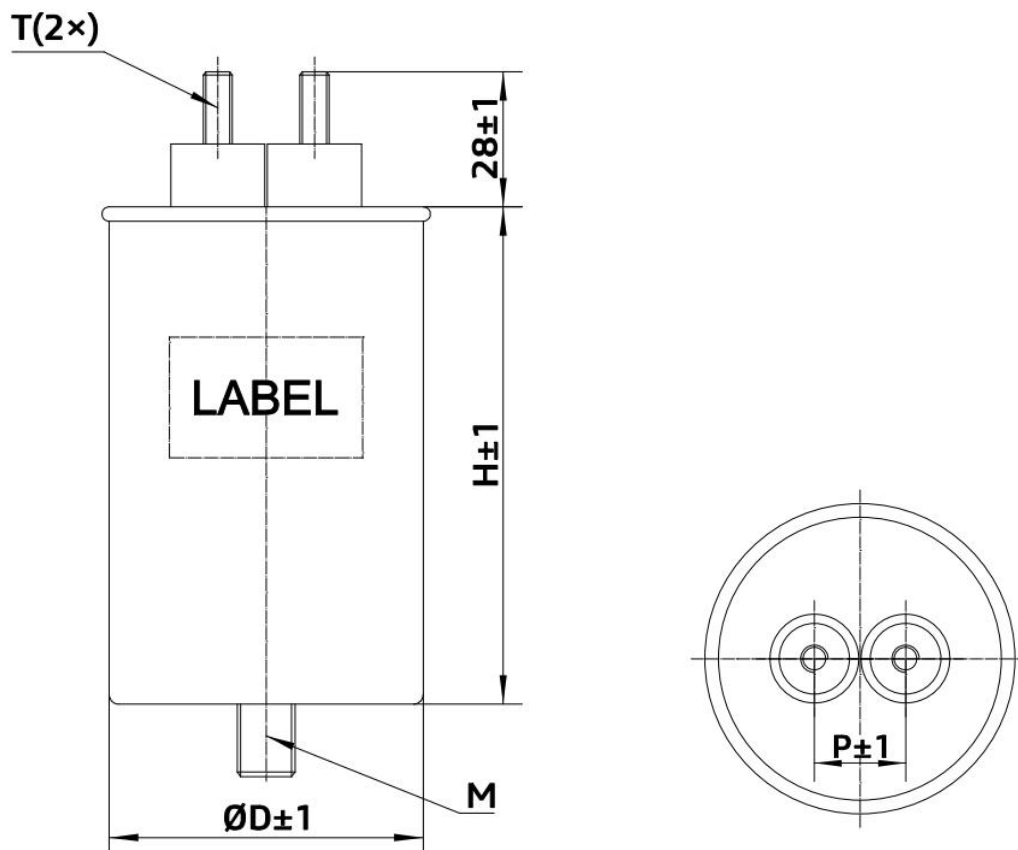
- ❖ Metallized polypropylene film, concentric winding, good electric property and high reliability.
- ❖ Extruded round aluminum can with stud, copper bolt terminals, oil filled.
- ❖ Used as AC filter capacitor or PFC capacitor (C3) for power electronic equipment.
- ❖ Standards referenced: IEC 61071, UL 810.



■ Outline Drawing and Dimensions

Diameter	D	65 mm
Height	H	109 mm
Terminals center distance	P	20 mm
Mounting bolt	M	M12×16 mm
Terminals	T	M6×17 mm

Unit: mm



■ Technical Data

Rated capacitance	C_N	33 μ F
Capacitance tolerance		$\pm 10\%$ (K)
Rated RMS voltage	U_{rms}	600 VAC
Rated AC voltage	U_N	850 VAC
Rated DC voltage	U_{NDC}	1400 VDC
Maximum surge voltage	U_S	2100 V
Rated energy	W_N	32.3 J
Maximum current	I_{max}	31 A
Maximum peak current	\hat{I}	0.63 kA
Maximum surge current	\hat{I}_s	1.88 kA
Series resistance	R_S	≤ 4.2 m Ω (1 kHz)
Thermal resistance	R_{th}	6.3 K/W
Self inductance	L_S	≤ 110 nH
Tangent of the loss angle	$\tan\delta$	≤ 0.0015 (100 Hz)
Dielectric tangent of the loss angle	$\tan\delta_d$	0.0002
Insulation resistance	$IR \times C_N$	≥ 25000 s (20 °C, 100 V, 1 min)
Operating temperature		-40 °C ~ +85 °C
Storage temperature		-40 °C ~ +85 °C
Climatic category		40/85/21
Expected lifetime		200000 h
Failure quota		< 100 fit @ $\theta_{hs} \leq 70$ °C
Test voltage between terminals	U_{T-T}	2100VDC or $2.15U_{rms}$, 10 s
Test voltage between terminals to case	U_{T-C}	3000 VAC, 10 s
Permissible over voltage		1.1 U_{rms} : 8 h/day 1.15 U_{rms} : 30 min/day 1.2 U_{rms} : 5 min/day 1.3 U_{rms} : 1 min/day 1.5 U_{rms} : 100 ms, 1000 times Within the service life
Maximum operating altitude		3500 m (> 1000 m, the current should derating 3 % per 500 m)
Mounting position		Vertical mounting
Safety protection method		Overpressure disconnection

Cooling method		Natural cooling
Dielectric		Metallized polypropylene film, self-healing property
Case		Aluminum can with bottom bolt
Internal stuffing		Oil, non PCB
Maximum torque (mounting bolt)		M12 bolt: 10 N·m
Maximum torque (terminals)		M6 bolt: 5N·m
Weight (about)		0.4 kg

■ Cautions and Warnings

1. For the packing box with capacitors, any kinds of shipments are permitted. But the sprinkle of rain or snow and mechanical damage must be avoided.
2. If the depth of the dent is more than 1 mm or any other mechanical damage, capacitors are forbidden to be used.
3. Do not use or store capacitors in corrosive atmosphere, especially where chloride gas, sulfide gas, acid, alkali, salt or other similar substance that exist. In the dusty environment, it needs regular maintenance and cleaning, especially the terminals which are required to avoid conductive path between phases.
4. In order to eliminate the risk of shock, the capacitor is packaged with terminals shorted. But when it starts to work, the stocked energy of the capacitor may be lethal. So please discharge through resistor before operating the capacitor, short-circuit capacitor is not permitted.
5. Don't hesitate to contact our technical service for any doubts and more detail information.