

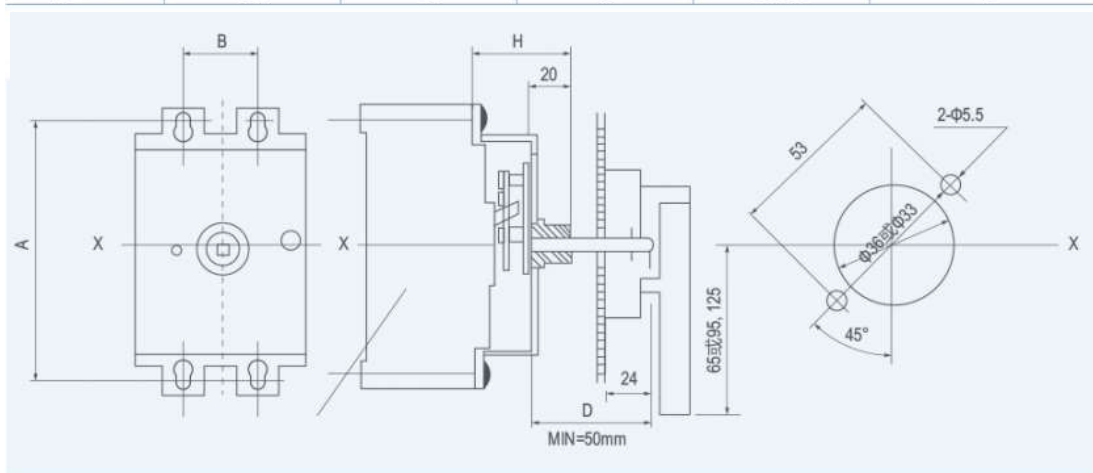
Rotary Handle for MCCB



- Rotary handle mounts directly onto MCCB with screws
- Removal if mid cover not required
- Clear ON/OFF/TRIP function
- Direct access to push button with rotary handle mounted

Model Numbers (DC MCCB)	Dimension (H) mm	
ROT-FGM6DC-320	55	FGM6DC-320 Frame Size
ROT-FGM6DC-400	78	FGM6DC-400,630,800 Frame Size

Frame Size	Dimensions (mm)				Tolerances (mm)
	A	B	H	D	
320	157	35	55	50-150	0
400	224	48	78	50-150	±5



Model Numbers (AC MCCB)	Dimension (H) mm	Suitable MCCB Models
ROT-FGM6-125	49	FGM6-125 Frame Size
ROT-FGM6-250	55	FGM6-250 Frame Size
ROT-FGM6-400	74	FGM6-400 Frame Size
ROT-FGM6-630	66	FGM6-630 Frame Size
ROT-FGM6-800	66	FGM6-800 Frame Size

