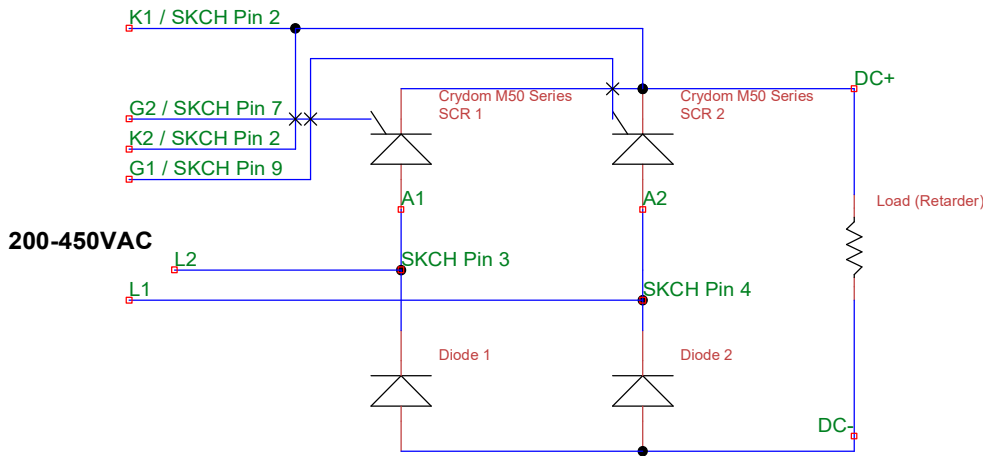
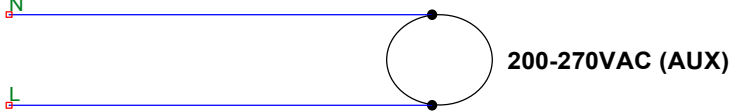


For 200-400VAC Input to SCR

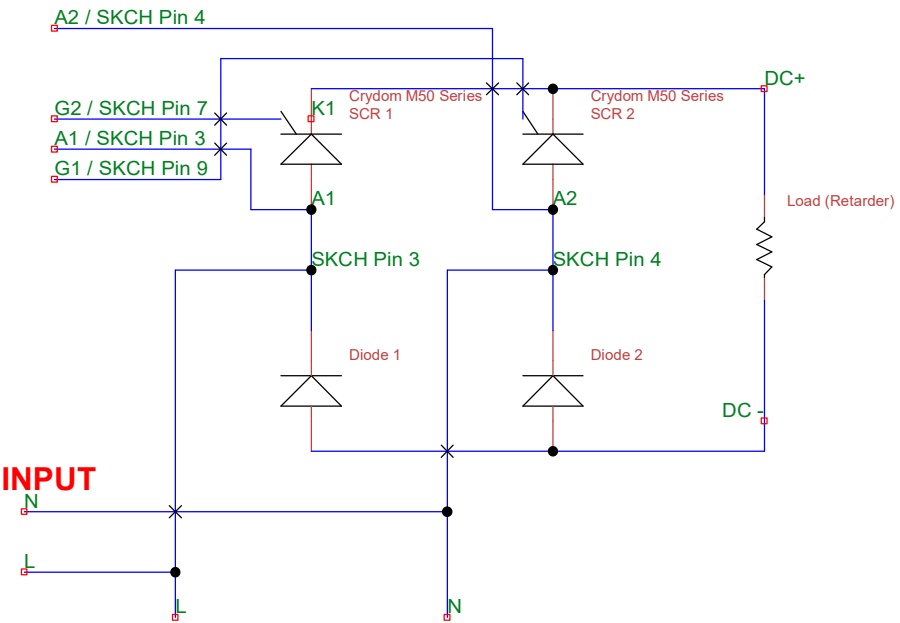
Fastron FKPC200-400



NOTE IF USING 400VAC LOAD DO NOT CONNECT 400VAC TO AUXILIARY INPUT

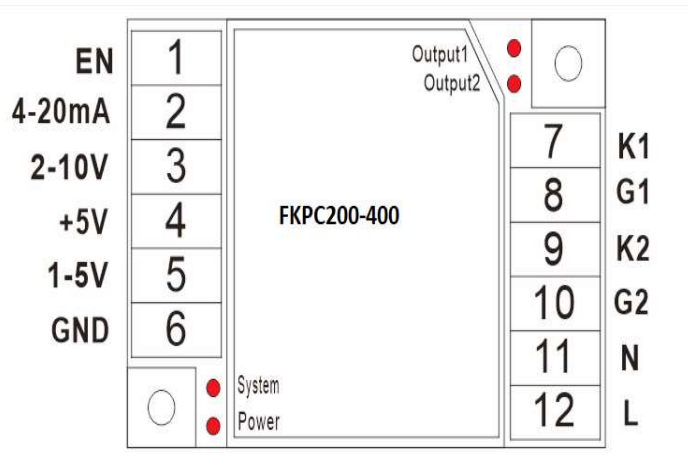


Semikron SKPC200-240

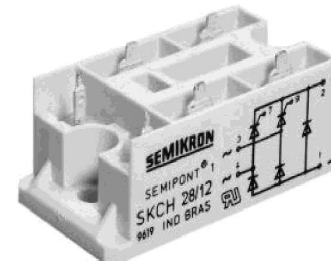
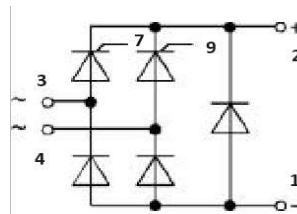


To Change from Semikron to Fastron Unit.

- 1) Remove A1, A2 Wiring from SKPC
- 2) Connect FKPC K1 Output to +DC Output on SKCH2
- 3) Connect FKPC K2 Output to +DC Output on SKCH2 (or link K1/K2)



Semikron SKCH28/16 Series



Title SKCH Semikron Trigger Module Wiring	
Author Fastron	
File V ... Half Controlled Bridge Wiring SKH28.dsn	
Revision 1.0	Date 16/04/2024

28/16

H28/16

Document
Sheets 1 of 1