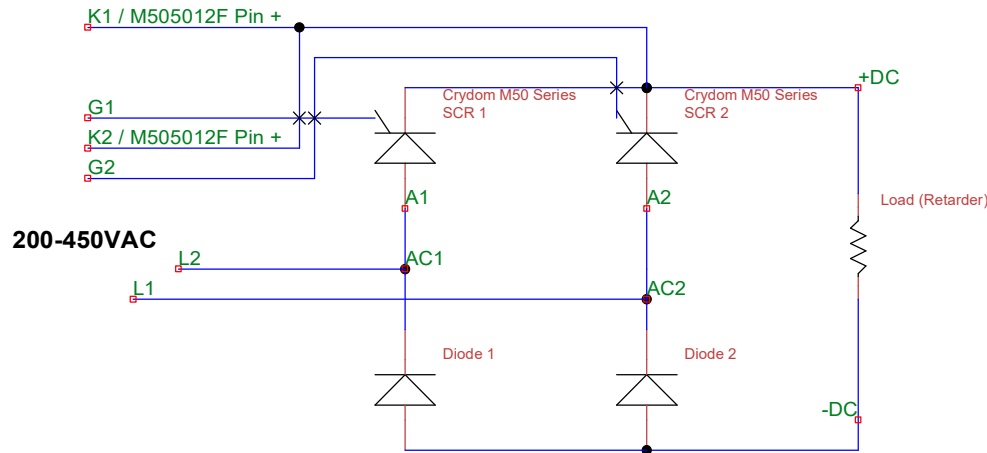
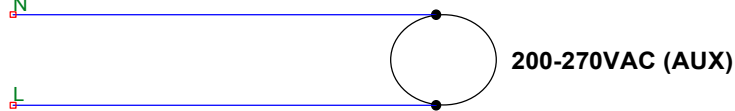


# For 200-400VAC Input to SCR

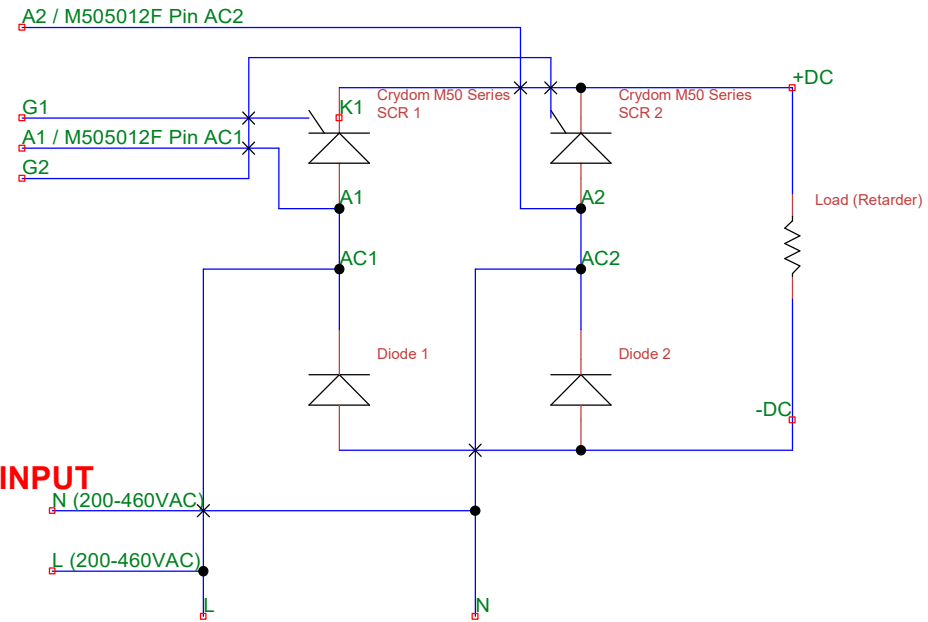
Fastron FKPC200-400



**NOTE IF USING 400VAC LOAD DO NOT CONNECT 400VAC TO AUXILIARY INPUT**

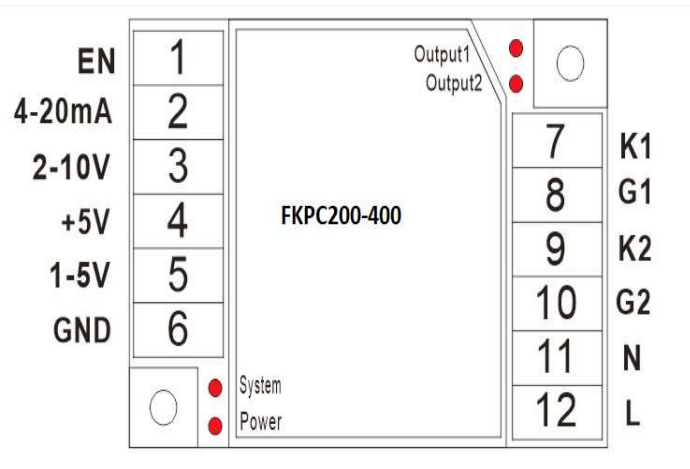


Semikron SKPC200-240

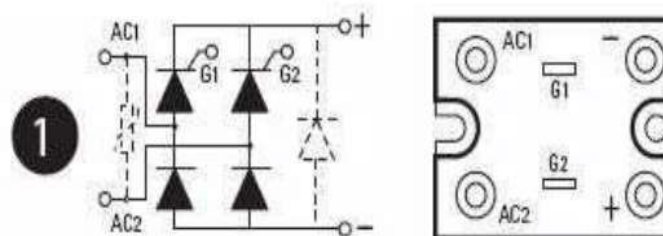


To Change from Semikron to Fastron Unit.

- 1) Remove A1, A2 Wiring from SKPC
- 2) Connect FKPC K1 Output to +DC Output on M50
- 3) Connect FKPC K2 Output to +DC Output on M50 (or link K1/K2)



Crydom M505012F/M5010012F Series



|                                               |     |                            |            |
|-----------------------------------------------|-----|----------------------------|------------|
| Title                                         |     | SCR Trigger Module Upgrade |            |
| Author                                        |     | Fastron                    |            |
| File                                          |     |                            |            |
| V:\2 Fa ... Half Controlled Bridge Wiring.dsn |     |                            |            |
| Revision                                      | 1.0 | Date                       | 16/08/2022 |

M50

M50

|                  |
|------------------|
|                  |
|                  |
| Document         |
| Sheets<br>1 of 1 |