

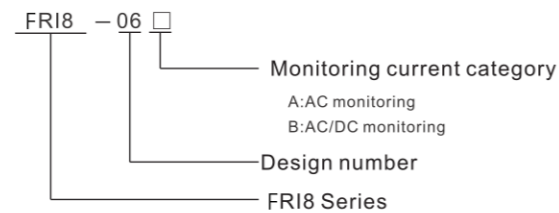
Applications

-Serves for monitoring of heating in rail-switches, heating cables, consumption of one-phase motors, indicates current flow.

Feature

- Through center design, no need to disconnect the current circuit, through center installation is convenient to use.
- Over / under current monitoring mode can be set by knob.
- With AC and DC universal testing specifications optional.
- Isolation current transformer is adopted, and external current transformer can be connected to expand the monitoring current range.
- 2 C/O output.
- Universal supply AC/DC 24 - 240 V.
- Relay status is indicated by LED.
- 1-MODULE, DIN rail mounting.

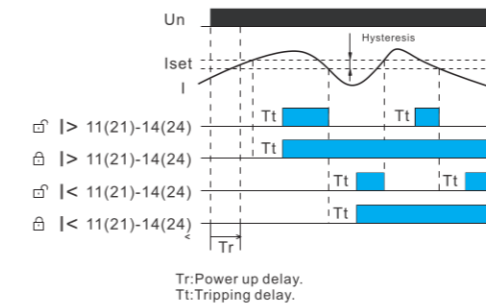
Model and connotation



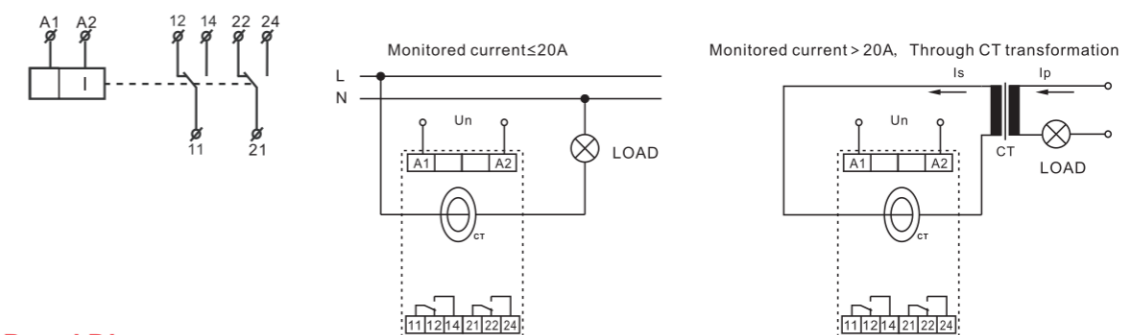
Technical parameters

	FRI8-06A	FRI8-06B
Function	AC measurement	AC/DC measurement
Supply terminals	A1-A2	
Rated supply voltage	AC/DC 24V-240V	
Rated supply frequency	50/60Hz,0	
Burden	max 25VA	
Supply voltage tolerance	-15%;+10%	
Current range	2A-20A	2A-20A
Current frequency	AC 50Hz	AC 50Hz ,DC
Setting accuracy	potentiometer	
Supply indication	green LED	
Setting accuracy	10 %	
Hysteresis	5 %	
Output	2×SPDT	
Current rating	8A/AC1	
Switching voltage	250VAC/24VDC	
Min.breaking capacity DC	500mW	
Output indication	red LED	
Mechanical life	1×10 ⁷	
Electrical life(AC1)	1×10 ⁵	
Operating temperature	-20°C ~+55°C	
Storage temperature	-35°C~+75°C	
Mounting/DIN rail	Din rail EN/IEC 60715	
Protection degree	IP20	
Operating position	any	
Overvoltage category	III.	
Pollution degree	2	
Max.cable size(mm ²)	1×2.5mm ² 或 2×1.5mm ² 0.4N·m	
Dimensions	90mm×36mm×64mm	
Weight	90g	
Standards	EN 60255-1	

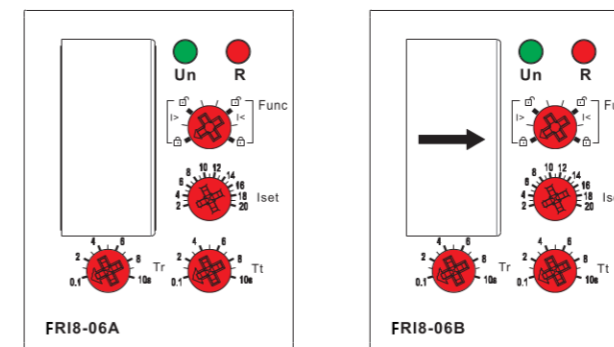
Functions Diagram



Wiring Diagram



Panel Diagram



Dimensions(mm)

