

5 DIGITAL MICROPROCESS RPM / LINEAR-SPEED / FREQUENCY ISOLATED TRANSMITTER

ATM-R

FEATURES

- Accuracy: $\pm 0.03\%$ F.S.
- Measuring AC Frequency / DC Pulse / Magnetic; Input frequency: 0.001Hz~100KHz
- High brightness 0.4" LED display range: -19999~99999; decimal point selectable
- Linear-Speed / RPM / Frequency selectable
- Linear unit: M, Ft, Y/min selectable
- RPM pulse input programmable: 1~99999
- Surge test of AC 2000V / min between input / output / power
- High stability, non-flammable case (PC), high safety

Fastron
Electronics



ORDER INFORMATION: ATM - R - [Code 1] [Code 2] - [Code 3] - [Code 4]

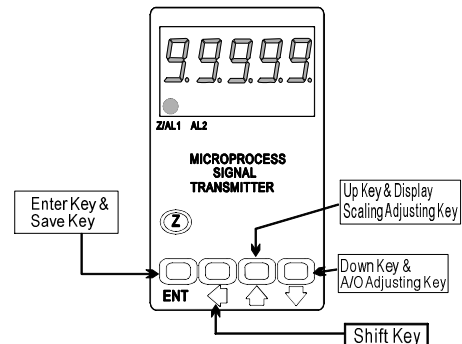
Code 1	Input Signal	Code 1	Input Signal	Code 2	Display Unit	Code 3	Aux. Power	Code 4	Analog Output
N5	NPN(5V)	VA	AC 2~60V	H	Hz	A	AC110V	1	4~20mA
N2	NPN(12V)	VB	AC 60~600V	R	RPM	B	AC220V	2	0~20mA
P5	PNP(5V)	VC	Pick-up 50mV~1.5V	M	M/min	C	DC 24V	3	0~5V
P2	PNP(12V)	VD	Pick-up 500mV~15V	Y	Y/min			4	0~10V
CT	Contact	VE	DC 24Vp	F	F/min			O	Option
		O	Option						

**1: NPN(5V), PNP(5V) offers excitation power DC5V; NPN(12V), PNP(12V) offers excitation power DC12V for sensors using.
2: Please use PNP/NPN(5V/12V) or DC24Vp for DC pulse input.

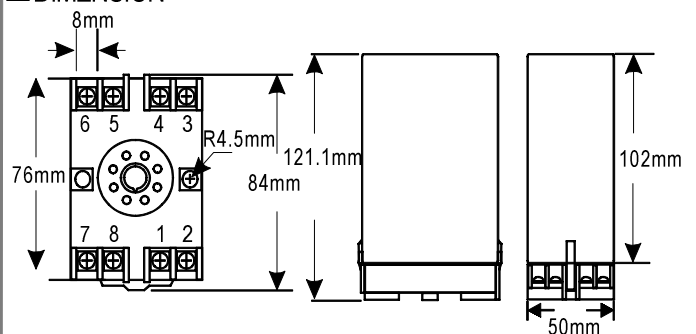
SPECIFICATION

- ◆ Accuracy: $\pm 0.03\%$ F.S.
- ◆ Display Screen: High brightness red LED; 10.16mm (0.4")
- ◆ Display Range: -19999~99999
- ◆ Zero Adjustment: ± 9999
- ◆ Span Adjustment: ± 9999
- ◆ Over Range Indication: doFL / ioFL
- ◆ Polarity Indication: Automatic with "-" indication
- ◆ Parameters Setting: Push buttons
- ◆ Back Up Memory: EEPROM
- ◆ Analog Output Resolution: 15 bit
- ◆ Output Response Time: <250 msec (0~90%)
- ◆ Output Capability: Voltage Output: <20mA
Current Output: <10V
- ◆ Output Ripple: $\leq \pm 0.1\%$ F.S.
- ◆ Isolation: Input / Output / Power / Case
- ◆ Temperature Coefficient: 100ppm / °C (0~60°C)
- ◆ Operating Temperature: 0~60°C
- ◆ Operating Humidity: 20~90% RH (non-condensing)
- ◆ Storage Temperature: -10~70°C
- ◆ Storage Humidity: 20~90% RH (non-condensing)
- ◆ Power Supply: AC 110V, AC 220V
- ◆ Surge Test: 2KVac / 1min
- ◆ Insulation Resistance: >100M Ω with 500Vdc
- ◆ Input Impedence: Voltage: >2V for 20K Ω / V; $\leq 2V$ for >200M Ω
Current: $\geq 0.2A$ at 100mV; <0.2A at 1V
- ◆ Installation: Socket / Plug in

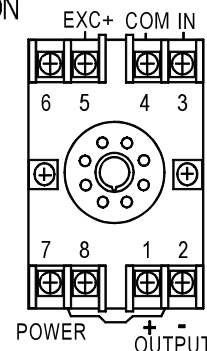
FRONT PANEL & KEY FUNCTIONS



DIMENSION



WIRING CONNECTION



Fastron
Electronics